

Design acc. :
AD 2000 A4, ATEX 2014/34/EU, EN 1984.
Face to face : EN558-1 Ser.14
Flange end : EN1092-1.
Test acc. : EN12266-1.
TA-Luft Gasket
TA-Luft Packing
Temperature range :
 -29°C~ +450°C (1.0619N)
 -196°C~ +400°C (1.4408)
Body : 1.0619N / 1.4408

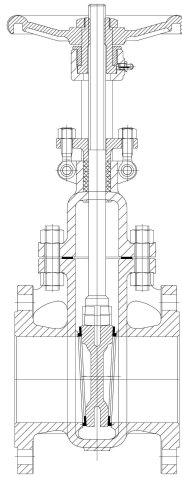


FIG : 052

FIG :XXX.052

Page 1-2

Design acc. :
AD 2000 A4, ATEX 2014/34/EU, EN 1984.
Face to face : EN558-1 Ser.14
Flange end : EN1092-1.
Test acc. : EN12266-1.
TA-Luft Gasket
TA-Luft Packing
Temperature range :
 -29°C~ +450°C (1.0619N)
 -196°C~ +400°C (1.4408)
Body : 1.0619N / 1.4408

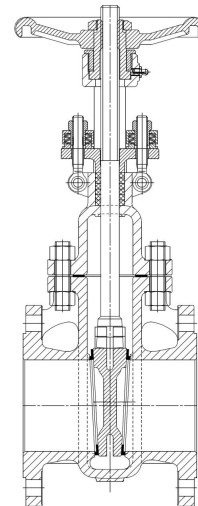


FIG :XXX.052 +spring load system

Page 3-4

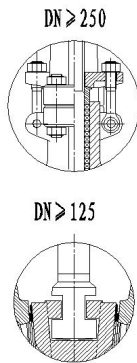
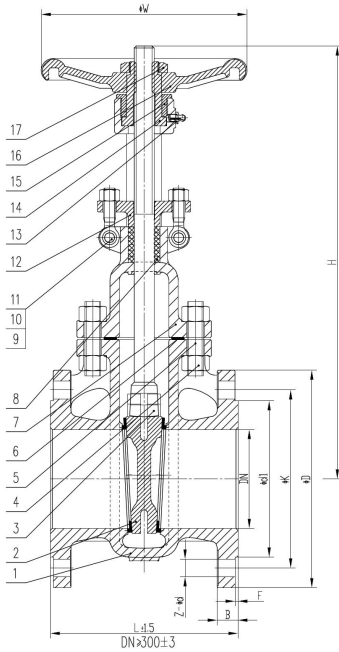


FIG.	Pressure	Material	Range
132.052	PN10	1.0619N	DN40-DN600
152.052	PN10	1.4408	DN40-DN600

Design and manufacture acc. :
AD 2000 A4
ATEX 2014/34/EU
EN 1984.
Face to face : EN558-1 Ser.14
Flange end : EN1092-1.
Test acc. : EN12266-1.
TA-Luft Gasket & Packing
Temperature range :
-29℃~ +450℃(1.0619N)
-196℃~ +400℃(1.4408)

Material list

NO.	Part	Material	
		FIG. 132.052	FIG.152.052
1	Body	1.0619N+13Cr	1.4408
2	Wedge	1.0619N+13Cr	1.4408
3	Stem	1.4021	1.4401
4	Bonnet nut	YK	A4-70 / A2-70
5	Bonnet bolt	GC	A4-70 / A2-70
6	Gasket	1.4301+Graphite / PTFE	1.4401+Graphite / PTFE
7	Bonnet	1.0619N	1.4408
8	Packing	Graphite / PTFE	Graphite / PTFE
9	Eye bolt	GC	A4-70 / A2-70
10	Pin	13Cr	Stainless steel
11	Nut	YK	A4-70 / A2-70
12	Gland flange	1.0619N	1.4408
13	Oil filler	1.0037	1.0037
14	Stem nut	GGG40	GGG40
15	Gland nut	1.0460	1.4401
16	Handwheel	GGG40	GGG40
17	Lock nut	1.0460	1.4301

Dimension List

PN	DN	L	D	K	d1	F	B	Z-Φd	H(OPEN)	W	Weight (kg)
10	40	140	150	110	88	3	18	4-Φ18	311	160	11
	50	150	165	125	102	3	18	4-Φ18	342	180	13
	65	170	185	145	122	3	18	8-Φ18	422	180	18
	80	180	200	160	138	3	20	8-Φ18	482	200	25
	100	190	220	180	158	3	20	8-Φ18	568	200	34
	125	200	250	210	188	3	22	8-Φ18	658	250	43
	150	210	285	240	212	3	22	8-Φ22	743	300	54
	200	230	340	295	268	3	24	8-Φ22	955	350	83
	250	250	395	350	320	3	26	12-Φ22	1130	400	155
	300	270	445	400	370	4	26	12-Φ22	1352	450	220
	350	290	505	460	430	4	26	16-Φ22	1500	500	240
	400	310	565	515	482	4	26	16-Φ26	1707	600	290
	450	330	615	565	532	4	28	20-Φ26	1840	600	495
500	350	670	620	585	4	28	20-Φ26	2047	700	600	
600	390	780	725	685	5	34	20-Φ30	3045	700	790	

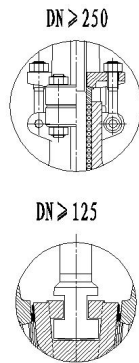
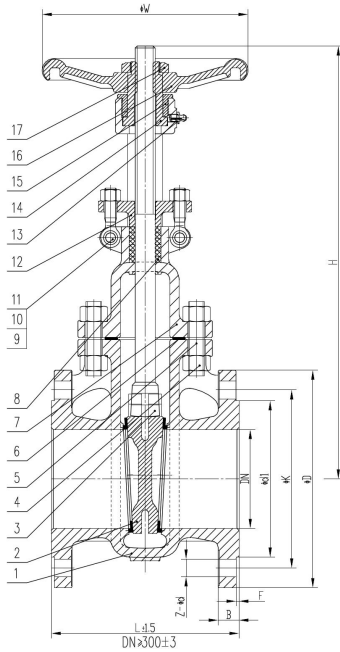


FIG.	Pressure	Material	Range
133.052	PN16	1.0619N	DN40-DN600
153.052	PN16	1.4408	DN40-DN600

Design and manufacture acc. :
AD 2000 A4
ATEX 2014/34/EU
EN 1984.
Face to face : EN558-1 Ser.14
Flange end : EN1092-1.
Test acc. : EN12266-1.
TA-Luft Packing & Gasket
Temperature range :
-29°C ~ +450°C (1.0619N)
-196°C ~ +400°C (1.4408)

Material list

NO.	Part	Material	
		FIG. 133.052	FIG.153.052
1	Body	1.0619N+13Cr	1.4408
2	Wedge	1.0619N+13Cr	1.4408
3	Stem	1.4021	1.4401
4	Bonnet nut	YK	A4-70 / A2-70
5	Bonnet bolt	GC	A4-70 / A2-70
6	Gasket	1.4301+Graphite / PTFE	1.4401+Graphite / PTFE
7	Bonnet	1.0619N	1.4408
8	Packing	Graphite / PTFE	Graphite / PTFE
9	Eye bolt	GC	A4-70 / A2-70
10	Pin	13Cr	Stainless steel
11	Nut	YK	A4-70 / A2-70
12	Gland flange	1.0619N	1.4408
13	Oil filler	1.0037	1.0037
14	Stem nut	GGG40	GGG40
15	Gland nut	1.0460	1.4401
16	Handwheel	GGG40	GGG40
17	Lock nut	1.0460	1.4301

Dimension List

PN	DN	L	D	K	d1	F	B	Z-Φd	H(OPEN)	W	Weight(kg)
16	40	140	150	110	88	3	18	4-Φ18	311	160	11
	50	150	165	125	102	3	18	4-Φ18	342	180	13
	65	170	185	145	122	3	18	8-Φ18	422	180	18
	80	180	200	160	138	3	20	8-Φ18	482	200	25
	100	190	220	180	158	3	20	8-Φ18	568	200	34
	125	200	250	210	188	3	22	8-Φ18	658	250	43
	150	210	285	240	212	3	22	8-Φ22	743	300	54
	200	230	340	295	268	3	24	12-Φ22	955	350	83
	250	250	405	355	320	3	26	12-Φ26	1130	400	160
	300	270	460	410	378	4	28	12-Φ26	1352	450	227
	350	290	520	470	438	4	30	16-Φ26	1500	500	250
	400	310	580	525	490	4	32	16-Φ30	1707	600	304
	450	330	640	585	550	4	34	20-Φ30	1840	600	514
500	350	715	650	610	4	36	20-Φ33	2047	700	625	
600	390	840	770	725	5	40	20-Φ36	3045	700	822	

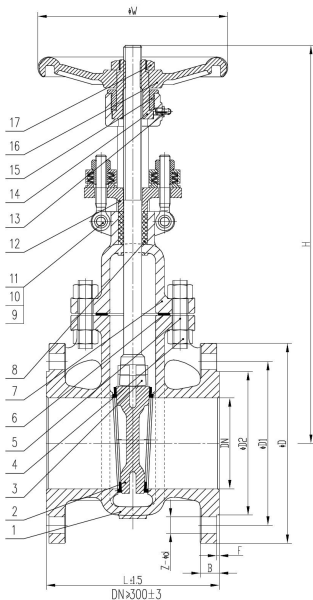
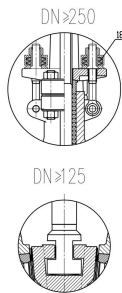


FIG.	Pressure	Material	Range
132.052+spring load system	PN10	1.0619N	DN40-DN600
152.052+spring load system	PN10	1.4408	DN40-DN600



Design and manufacture acc. :
AD 2000 A4
ATEX 2014/34/EU
EN 1984.
Face to face : EN558-1 Ser.14
Flange end : EN1092-1.
Test acc. : EN12266-1.
TA-Luft Gasket & Packing
Temperature range :
-29℃~ +450℃(1.0619N)
-196℃~ +400℃(1.4408)

Material list

NO.	Part	Material	
		FIG. 132.052+spring load system	FIG.152.052+spring load system
1	Body	1.0619N+13Cr	1.4408
2	Wedge	1.0619N+13Cr	1.4408
3	Stem	1.4021	1.4401
4	Bonnet nut	YK	A4-70 / A2-70
5	Bonnet bolt	GC	A4-70 / A2-70
6	Gasket	1.4301+Graphite / PTFE	1.4401+Graphite / PTFE
7	Bonnet	1.0619N	1.4408
8	Packing	Graphite / PTFE	Graphite / PTFE
9	Eye bolt	GC	A4-70 / A2-70
10	Pin	13Cr	Stainless steel
11	Nut	YK	A4-70 / A2-70
12	Gland flange	1.0619N	1.4408
13	Oil filler	1.0037	1.0037
14	Stem nut	GGG40	GGG40
15	Gland nut	1.0460	1.4401
16	Handwheel	GGG40	GGG40
17	Lock nut	1.0460	1.4301
18	Belleisle spring	51CrV4	51CrV4

Dimension List

PN	DN	L	D	K	d1	F	B	Z-Φd	H(OPEN)	W	Weight (kg)
10	40	140	150	110	88	3	18	4-Φ18	311	160	11
	50	150	165	125	102	3	18	4-Φ18	342	180	13
	65	170	185	145	122	3	18	8-Φ18	422	180	18
	80	180	200	160	138	3	20	8-Φ18	482	200	25
	100	190	220	180	158	3	20	8-Φ18	568	200	34
	125	200	250	210	188	3	22	8-Φ18	658	250	43
	150	210	285	240	212	3	22	8-Φ22	743	300	54
	200	230	340	295	268	3	24	8-Φ22	955	350	83
	250	250	395	350	320	3	26	12-Φ22	1130	400	155
	300	270	445	400	370	4	26	12-Φ22	1352	450	220
	350	290	505	460	430	4	26	16-Φ22	1500	500	240
	400	310	565	515	482	4	26	16-Φ26	1707	600	290
	450	330	615	565	532	4	28	20-Φ26	1840	600	495
500	350	670	620	585	4	28	20-Φ26	2047	700	600	
600	390	780	725	685	5	34	20-Φ30	3045	700	790	

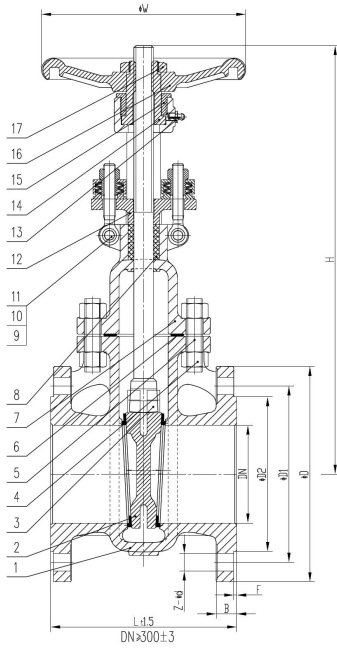
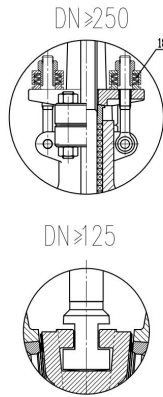


FIG.	Pressure	Material	Range
133.052+spring load system	PN16	1.0619N	DN40-DN600
153.052+spring load system	PN16	1.4408	DN40-DN600



Design and manufacture acc. :

AD 2000 A4

ATEX 2014/34/EU

EN 1984.

Face to face : EN558-1 Ser.14

Flange end : EN1092-1.

Test acc. : EN12266-1.

TA-Luft Packing & Gasket

Temperature range :

-29°C ~ +450°C (1.0619N)

-196°C ~ +400°C (1.4408)

Material list

NO.	Part	Material	
		FIG. 133.052	FIG.153.052
1	Body	1.0619N+13Cr	1.4408
2	Wedge	1.0619N+13Cr	1.4408
3	Stem	1.4021	1.4401
4	Bonnet nut	YK	A4-70 / A2-70
5	Bonnet bolt	GC	A4-70 / A2-70
6	Gasket	1.4301+Graphite / PTFE	1.4401+Graphite / PTFE
7	Bonnet	1.0619N	1.4408
8	Packing	Graphite / PTFE	Graphite / PTFE
9	Eye bolt	GC	A4-70 / A2-70
10	Pin	13Cr	Stainless steel
11	Nut	YK	A4-70 / A2-70
12	Gland flange	1.0619N	1.4408
13	Oil filler	1.0037	1.0037
14	Stem nut	GGG40	GGG40
15	Gland nut	1.0460	1.4401
16	Handwheel	GGG40	GGG40
17	Lock nut	1.0460	1.4301
18	Belleville spring	51CrV4	51CrV4

Dimension List

PN	DN	L	D	K	d1	F	B	Z-Φd	H(OPEN)	W	Weight(kg)
16	40	140	150	110	88	3	18	4-Φ18	311	160	11
	50	150	165	125	102	3	18	4-Φ18	342	180	13
	65	170	185	145	122	3	18	8-Φ18	422	180	18
	80	180	200	160	138	3	20	8-Φ18	482	200	25
	100	190	220	180	158	3	20	8-Φ18	568	200	34
	125	200	250	210	188	3	22	8-Φ18	658	250	43
	150	210	285	240	212	3	22	8-Φ22	743	300	54
	200	230	340	295	268	3	24	12-Φ22	955	350	83
	250	250	405	355	320	3	26	12-Φ26	1130	400	160
	300	270	460	410	378	4	28	12-Φ26	1352	450	227
	350	290	520	470	438	4	30	16-Φ26	1500	500	250
	400	310	580	525	490	4	32	16-Φ30	1707	600	304
	450	330	640	585	550	4	34	20-Φ30	1840	600	514
500	350	715	650	610	4	36	20-Φ33	2047	700	625	
600	390	840	770	725	5	40	20-Φ36	3045	700	822	