

**Design acc. : AD 2000 A4, ATEX 2014/34/EU, EN 1984.**

**End to end : EN 12982 Ser.15/Ser.26**

**BW ends: EN 12627 Fig1/Fig2**

**Actuator conn. flange: ISO 5210**

**Test acc. : EN12266.**

**TA-Luft Packing**

**TA-Luft Gasket**

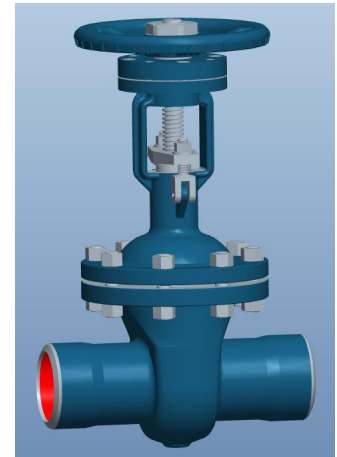
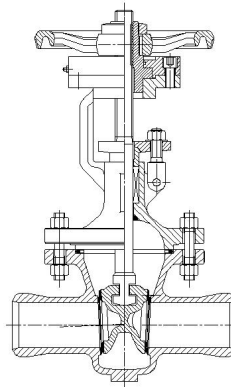
**Temperature range :**

-29°C~ +450°C(1.0619N)

-196°C~ +400°C(1.4408)

**Body : 1.0619N /1.4408**

**Wall thickness for PN16 is the same as for PN25 valves**



**FIG : XXX.032 - BW**

**FIG : 032 - BW**

**Design acc. : AD 2000 A4, ATEX 2014/34/EU, EN 1984.**

**End to end : EN 12982 Ser.15/Ser.26**

**BW ends : EN 12627 Fig1/Fig2**

**Actuator conn. flange: ISO 5210**

**Test acc. : EN12266.**

**TA-Luft Packing**

**TA-Luft Gasket**

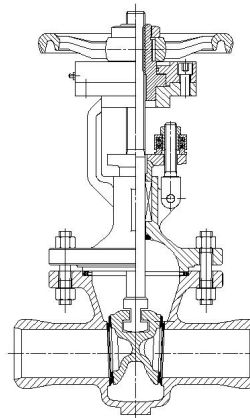
**Temperature range :**

-29°C~ +450°C(1.0619N)

-196°C~ +400°C(1.4408)

**Body : 1.0619N /1.4408**

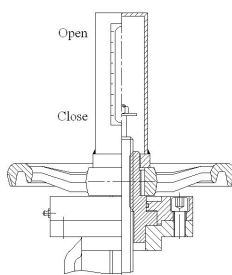
**Wall thickness for PN16 is the same as for PN25 valves**



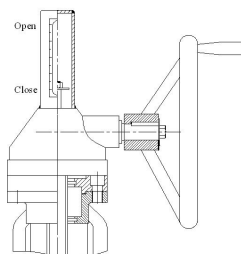
**FIG : XXX.032 - BW + spring load system**

**FIG : 032 - BW + spring load system**

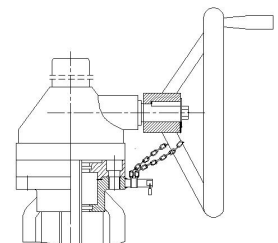
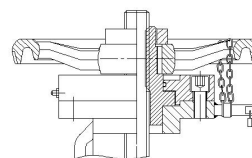
**Available**



**Position indicator**



**Locking device**



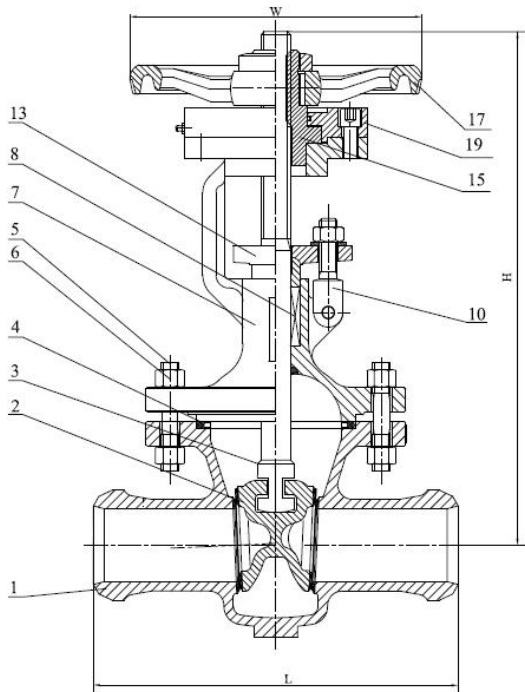
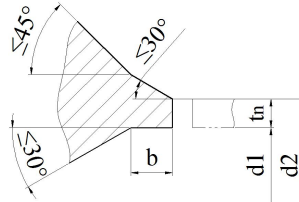
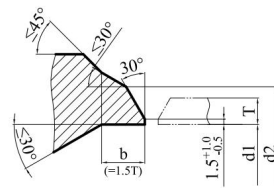


FIG.	Pressure	Material	Range
133.032-BW	PN16	1.0619N	DN50-DN125
134.032-BW	PN25	1.0619N	DN50-DN125
153.032-BW	PN16	1.4408	DN50-DN125
154.032-BW	PN25	1.4408	DN50-DN125



EN 12627 Fig1

$t_n \le 4\text{mm}$  DN50 - DN80



EN 12627 Fig2

$4\text{mm} < T \le 22\text{mm}$  DN100 - DN125

**Design and manufacture acc. :**

**AD 2000 A4**

**ATEX 2014/34/EU**

**EN 1984.**

**End to end : EN 12982 Ser.15**

**BW ends : EN 12627 Fig1/Fig2**

**Actuator conn. flange: ISO 5210**

**Test acc. : EN 12266.**

**TA-Luft Packing & Gasket**

**Temperature range :**

**-29℃ ~ +450℃ (1.0619N)**

**-196℃ ~ +400℃ (1.4408)**

**Material list**

NO.	Part	Material	
		FIG. 153.032 - BW / 154.032 - BW	FIG. 133.032 - BW / 134.032 - BW
1	Body	1.4408 / 1.4408 + STL (>DN100)	1.0619N+13Cr / 1.0619N+STL
2	Wedge	1.4408	1.0619N+13Cr / 1.4006(≤DN100) / 1.0619N+STL
3	Stem	1.4401	1.4021
4	Body seal	1.4401+Graphite	1.4301+Graphite
5	Bolts	A4-70 / A2-70	1.7225(GC)
6	Nut	A4-70 / A2-70	1.1181(YK)
7	Bonnet	1.4408	1.0619N
8	Packing	Graphite	Graphite
10	Fork bolt	A4-70 / A2-70	1.7225(GC)
13	Gland flange	1.4408	1.0619N
15	Stem nut	0.7040	0.7040
17	Handwheel	0.7040	0.7040
19	ISO-Flange	1.4401	C22.8

**Dimension list**

PN	DN	L	d2	d1	b	For pipe	H	W	Stem	Torque (N.m)	Number of turn	Hub	WT. (KG)
16/25	50	250	62	53.9	5	Ø60.3×3.2	340	200	Tr20×4LH	35	15	60	23.1
	65	270	77	68.9	6	Ø76.1×3.6	425	250	Tr24×5LH	40	17	85	32.9
	80	280	91	80.9	6	Ø88.9×4.0	420	250	Tr24×5LH	45	19	95	34.8
	100	300	117	104.3	8	Ø114.3×5.0	500	250	Tr26×5LH	50	23	115	50.0
	125	325	144	130.7	7	Ø139.7×4.5	590	350	Tr26×5LH	80	29	145	69.9

Note: 1) pipe acc. to DIN2448/ ISO4200 outside diameter×wall thickness.

2) The torque in the table does not contain safety factor.

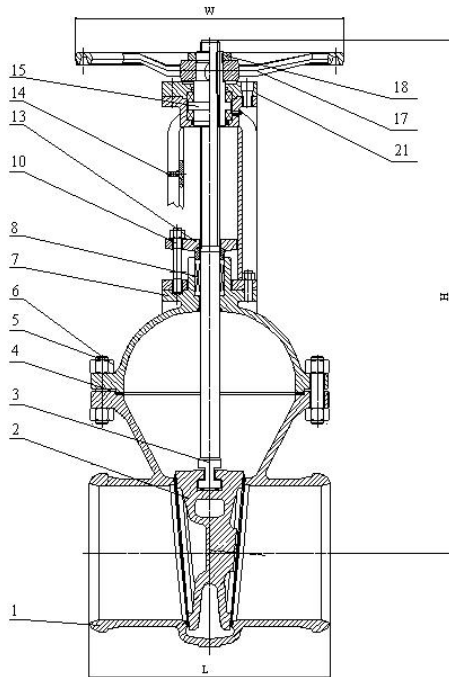
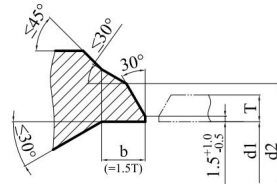


FIG.	Pressure	Material	Range
133.032-BW	PN16	1.0619N	DN150-DN500
153.032-BW	PN16	1.4408	DN150-DN500



EN 12627 Fig2

4mm < T ≤ 22mm DN150 - DN500

**Design and manufacture acc. :**

**AD 2000 A4**

**ATEX 2014/34/EU**

**EN 1984.**

**End to end : EN 12982 Ser.15**

**BW ends : EN 12627 Fig2**

**Actuator conn. flange: ISO 5210**

**Test acc. : EN 12266.**

**TA-Luft Packing & Gasket**

**Temperature range :**

**-29°C ~ +450°C (1.0619N)**

**-196°C ~ +400°C (1.4408)**

**Material list**

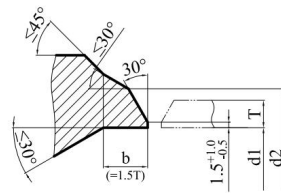
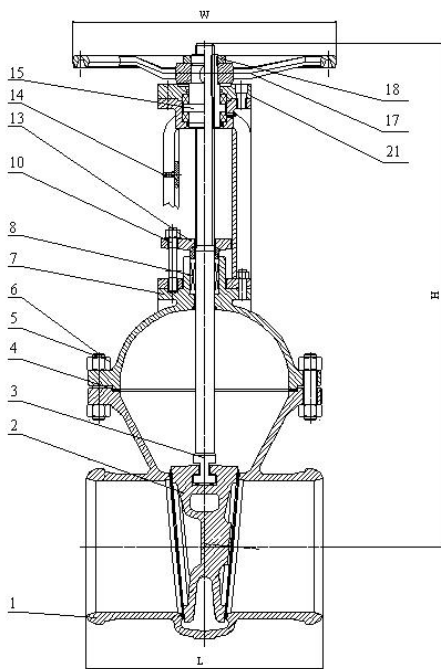
NO.	Part	Material	
		FIG. 153.032 - BW	FIG. 133.032 - BW
1	Body	1.4408 + STL	1.0619N+13Cr / 1.0619N+STL
2	Wedge	1.4408	1.0619N+13Cr / 1.4006(≤DN100) / 1.0619N+STL
3	Stem	1.4401	1.4021
4	Body seal	1.4401+Graphite	1.4301+Graphite
5	Bolts	A4-70 / A2-70	1.7225(GC)
6	Nut	A4-70 / A2-70	1.1181(YK)
7	Bonnet	1.4408	1.0619N
8	Packing	Graphite	Graphite
10	Bolt	A4-70 / A2-70	1.7225(GC)
13	Gland flange	1.4408	1.0619N
14	Yoke	1.4408	1.0619N
15	Stem nut	0.7040	0.7040
17	Handwheel	0.7040	0.7040
18	Lock nut	1.4021	1.1181
21	ISO-Flange	1.4401	C22.8

**Dimension list**

PN	DN	L	d2	d1	b	For pipe	H	W	Stem	ISO-flange	Torque (N.m)	Number of turn	Hub	WT. (KG)
16	150	350	172	157.1	9	Ø168.3×5.6	670	400	Tr28×5LH	F10	90	34	170	97.5
	200	400	223	204.9	11	Ø219.1×7.1	830	400	Tr32×6LH	F14	150	36	216	138.6
	250	450	278	257.0	12	Ø273.0×8.0	955	450	Tr36×6LH	F14	200	46	276	242.0
	300	500	329	307.9	12	Ø323.9×8.0	1145	500	Tr40×7LH	F14	310	46	322	381.2
	350	550	362	338.0	14	Ø355.6×8.8	1210	500	Tr40×7LH	F16	400	53	371	396.8
	400	600	413	384.4	17	Ø406.4×11.0	1390	600	Tr44×8LH	F16	450	53	424	592.0
	500	700	516	479.6	22	Ø508.0×14.2	1730	700	Tr50×8LH	F25	700	67	536	939.0

Note: 1) pipe acc. to DIN2448/ ISO4200 outside diameter×wall thickness.

2) The torque in the table does not contain safety factor.



EN 12627 Fig2  
4mm < T ≤ 22mm DN150 - DN500

FIG.	Pressure	Material	Range
134.032-BW	PN25	1.0619N	DN150-DN500
154.032-BW	PN25	1.4408	DN150-DN500

**Design and manufacture acc. :**  
**AD 2000 A4**  
**ATEX 2014/34/EU**  
**EN 1984.**  
**End to end : EN 12982 Ser.15**  
**BW ends :EN 12627 Fig2**  
**Actuator conn. flange: ISO 5210**  
**Test acc. : EN 12266.**  
**TA-Luft Packing & Gasket**  
**Temperature range :**  
**-29°C ~ +450°C (1.0619N)**  
**-196°C ~ +400°C (1.4408)**

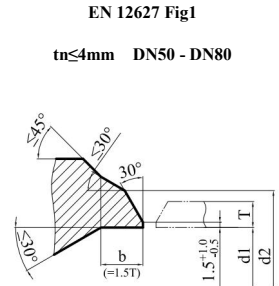
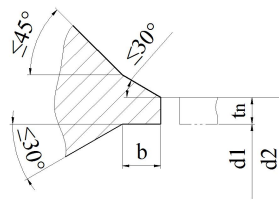
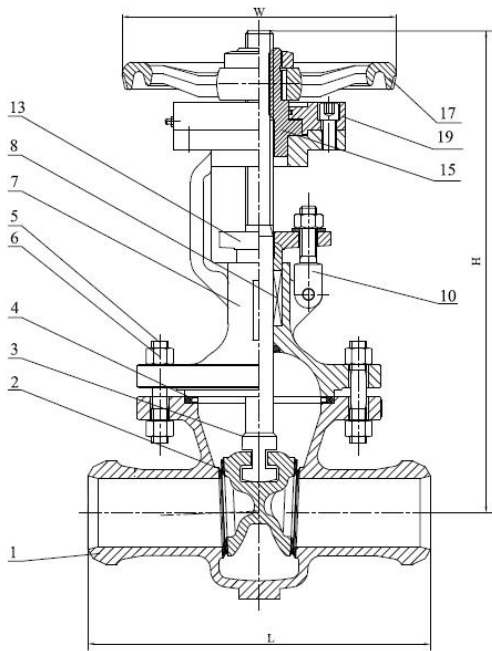
**Material list**

NO.	Part	Material	
		FIG. 154.032 - BW	FIG. 134.032 - BW
1	Body	1.4408 + STL	1.0619N+13Cr / 1.0619N+STL
2	Wedge	1.4408	1.0619N+13Cr / 1.4006(≤DN100) / 1.0619N+STL
3	Stem	1.4401	1.4021
4	Body seal	1.4401+Graphite	1.4301+Graphite
5	Bolts	A4-70 / A2-70	1.7225(GC)
6	Nut	A4-70 / A2-70	1.1181(YK)
7	Bonnet	1.4408	1.0619N
8	Packing	Graphite	Graphite
10	Bolt	A4-70 / A2-70	1.7225(GC)
13	Gland flange	1.4408	1.0619N
14	Yoke	1.4408	1.0619N
15	Stem nut	0.7040	0.7040
17	Handwheel	0.7040	0.7040
18	Lock nut	1.4021	1.1181
21	ISO-Flange	1.4401	C22.8

**Dimension list**

PN	DN	L	d2	d1	b	For pipe	H	W	Stem	ISO-flange	Torque (N.m)	Number of turn	Hub	WT. (KG)
25	150	350	172	157.1	9	Ø168.3×5.6	670	400	Tr28×5LH	F14	90	34	170	100.0
	200	400	223	204.9	11	Ø219.1×7.1	830	400	Tr32×6LH	F14	160	36	216	138.6
	250	450	278	257.0	12	Ø273.0×8.0	955	450	Tr36×6LH	F14	220	46	276	242.0
	300	500	329	307.9	12	Ø323.9×8.0	1145	500	Tr40×7LH	F14	330	46	322	381.2
	350	550	362	338.0	14	Ø355.6×8.8	1210	500	Tr40×7LH	F16	420	53	371	396.8
	400	600	413	384.4	17	Ø406.4×11.0	1390	600	Tr44×8LH	F16	500	53	424	593.0
	500	700	516	479.6	22	Ø508.0×14.2	1730	700	Tr50×8LH	F25	750	67	536	945.0

Note: 1) pipe acc. to DIN2448/ ISO4200 outside diameter×wall thickness.  
 2) The torque in the table does not contain safety factor.



4mm < T ≤ 22mm DN100 - DN125

FIG.	Pressure	Material	Range
135.032-BW	PN40	1.0619N	DN50-DN125
155.032-BW	PN40	1.4408	DN50-DN125

**Design and manufacture acc. :**  
**AD 2000 A4**  
**ATEX 2014/34/EU**  
**EN 1984.**  
**End to end : EN 12982 Ser.26**  
**BW ends : EN 12627 Fig1/Fig2**  
**Actuator conn. flange: ISO 5210**  
**Test acc. : EN 12266.**  
**TA-Luft Packing & Gasket**  
**Temperature range :**  
**-29°C ~ +450°C (1.0619N)**  
**-196°C ~ +400°C (1.4408)**

**Material list**

NO.	Part	Material	
		FIG. 155.032 - BW	FIG. 135.032 - BW
1	Body	1.4408 / 1.4408 + STL (>DN100)	1.0619N+13Cr / 1.0619N+STL
2	Wedge	1.4408	1.0619N+13Cr / 1.4006(≤DN100) / 1.0619N+STL
3	Stem	1.4401	1.4021
4	Body seal	1.4401+Graphite	1.4301+Graphite
5	Bolts	A4-70 / A2-70	1.7225(GC)
6	Nut	A4-70 / A2-70	1.1181(YK)
7	Bonnet	1.4408	1.0619N
8	Packing	Graphite	Graphite
10	Fork bolt	A4-70 / A2-70	1.7225(GC)
13	Gland flange	1.4408	1.0619N
15	Stem nut	0.7040	0.7040
17	Handwheel	0.7040	0.7040
19	ISO-Flange	1.4401	C22.5

**Dimension list**

PN	DN	L	d2	d1	b	For pipe	H	W	Stem	ISO-flange	Torque (N.m)	Number of turn	Hub	WT. (KG)
40	50	250	62	53.9	5	Ø60.3×3.2	340	200	Tr20×4LH	F10	35	15	60	23.1
	65	290	77	68.9	6	Ø76.1×3.6	415	250	Tr24×5LH	F10	40	17	85	34.1
	80	310	91	80.9	6	Ø88.9×4.0	420	250	Tr24×5LH	F10	50	19	95	36.6
	100	350	117	104.3	8	Ø114.3×5.0	485	250	Tr26×5LH	F10	55	23	115	55.0
	125	400	144	130.7	7	Ø139.7×4.5	590	350	Tr26×5LH	F14	90	29	145	76.0

Note: 1) pipe acc. to DIN2448/ ISO4200 outside diameter×wall thickness.  
 2) The torque in the table does not contain safety factor.

Edit: Tie Kaixun  
 Suzhou Fleu valve Co.Ltd  
 No.767 Huagang Road

Checking: Shi Yongbin  
 Tel : 0086 512 63430669  
 Fax : 0086 512 63409789

Approved: Zhao Niaoli  
 E-mail : info@fleu-valve.com  
 https://www.fleu-valve.com

Date: 06 May, 2026

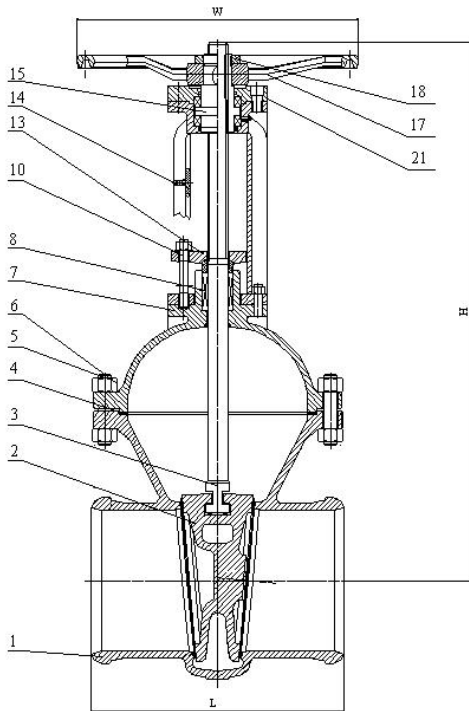
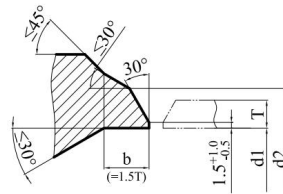


FIG.	Pressure	Material	Range
135.032-BW	PN40	1.0619N	DN150-DN500
155.032-BW	PN40	1.4408	DN150-DN500



EN 12627 Fig2  
4mm < T ≤ 22mm DN150 - DN500

**Design and manufacture acc. :**  
**AD 2000 A4**  
**ATEX 2014/34/EU**  
**EN 1984.**  
**End to end : EN 12982 Ser.26**  
**BW ends : EN 12627 Fig2**  
**Actuator conn. flange: ISO 5210**  
**Test acc. : EN 12266.**  
**TA-Luft Packing & Gasket**  
**Temperature range :**  
**-29°C ~ +450°C (1.0619N)**  
**-196°C ~ +400°C (1.4408)**

**Material list**

NO.	Part	Material	
		FIG. 155.032 - BW	FIG. 135.032 - BW
1	Body	1.4408 + STL	1.0619N+13Cr / 1.0619N+STL
2	Wedge	1.4408	1.0619N+13Cr / 1.4006(≤DN100 ) / 1.0619N+STL
3	Stem	1.4401	1.4021
4	Body seal	1.4401+Graphite	1.4301+Graphite
5	Bolts	A4-70 / A2-70	1.7225(GC)
6	Nut	A4-70 / A2-70	1.1181(YK)
7	Bonnet	1.4408	1.0619N
8	Packing	Graphite	Graphite
10	Bolt	A4-70 / A2-70	1.7225(GC)
13	Gland flange	1.4408	1.0619N
14	Yoke	1.4408	1.0619N
15	Stem nut	0.7040	0.7040
17	Handwheel	0.7040	0.7040
18	Lock nut	1.4021	1.1181
21	ISO-Flange	1.4401	C22.5

**Dimension list**

PN	DN	L	d2	d1	b	For pipe	H	W	Stem	ISO-flange	Torque (N.m)	Number of turn	Hub	WT. (KG)
40	150	450	172	157.1	9	Ø168.3×5.6	670	400	Tr28×5LH	F14	100	34	170	103.6
	200	550	223	204.9	11	Ø219.1×7.1	830	400	Tr32×6LH	F14	170	36	216	171.0
	250	650	278	257.0	12	Ø273.0×8.0	955	450	Tr36×6LH	F14	230	46	276	299.0
	300	750	329	307.9	12	Ø323.9×8.0	114	500	Tr44×7LH	F14	350	40	320	445.0

Note: 1) pipe acc. to DIN2448/ ISO4200 outside diameter×wall thickness.  
 2) The torque in the table does not contain safety factor.

Edit: Tie Kaixun  
 Suzhou Fleu valve Co.Ltd  
 No.767 Huagang Road

Checking: Shi Yongbin  
 Tel : 0086 512 63430669  
 Fax : 0086 512 63409789

Approved: Zhao Niaoli  
 E-mail : info@fleu-valve.com  
 https://www.fleu-valve.com

Date: 06 May., 2026

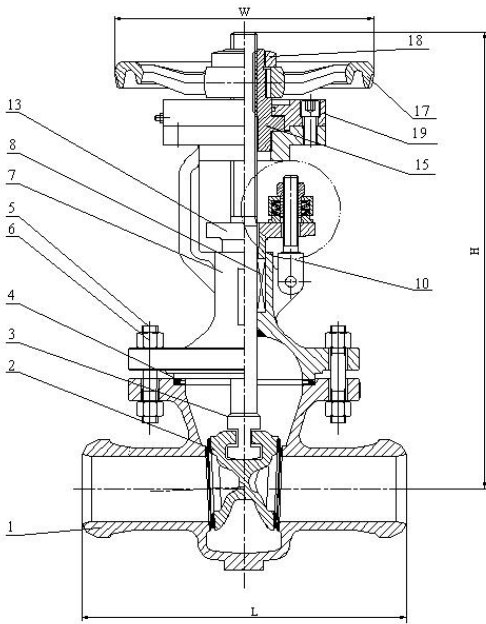
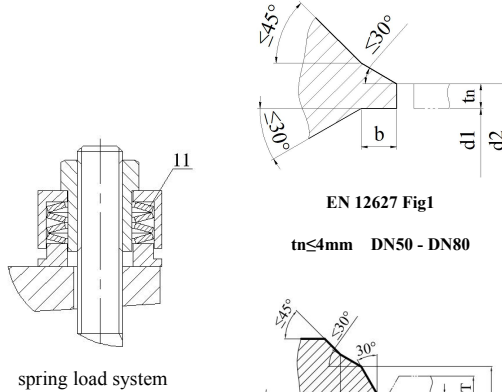


FIG.	Pressure	Material	Range
133.032 -BW + spring load system	PN16	1.0619N	DN50-DN125
134.032 -BW + spring load system	PN25	1.0619N	DN50-DN125
153.032 - BW + spring load system	PN16	1.4408	DN50-DN125
154.032 - BW + spring load system	PN25	1.4408	DN50-DN125



**Design and manufacture acc. :**  
**AD 2000 A4**  
**ATEX 2014/34/EU**  
**EN 1984.**  
**End to end : EN 12982 Ser.15**  
**BW ends : EN 12627 Fig1/Fig2**  
**Actuator conn. flange: ISO 5210**  
**Test acc. : EN 12266.**  
**TA-Luft Packing & Gasket**  
**Temperature range :**  
**-29°C ~ +450°C(1.0619N)**  
**-196°C ~ +400°C(1.4408)**

**Material list**

NO.	Part	Material	
		FIG. 153.032 - BW +spring load system / 154.032 - BW + spring load system	FIG. 133.032 - BW + spring load system/ 134.032 - BW + spring load system
1	Body	1.4408 / 1.4408 + STL (>DN100)	1.0619N+13Cr / 1.0619N+STL
2	Wedge	1.4408	1.0619N+13Cr / 1.4006(≤DN100) / 1.0619N+STL
3	Stem	1.4401	1.4021
4	Body seal	1.4401+Graphite	1.4301+Graphite
5	Bolts	A4-70 / A2-70	1.7225(GC)
6	Nut	A4-70 / A2-70	1.1181(YK)
7	Bonnet	1.4408	1.0619N
8	Packing	Graphite	Graphite
10	Fork bolt	A4-70 / A2-70	1.7225(GC)
11	Belleville spring	51CrV4	51CrV4
13	Gland flange	1.4408	1.0619N
15	Stem nut	0.7040	0.7040
17	Handwheel	0.7040	0.7040
18	Lock nut	1.4021	1.1181
19	ISO-Flange	1.4401	C22.8

**Dimension list**

PN	DN	L	d2	d1	b	For pipe	H	W	Stem	Torque (N.m)	Number of turn	Hub	WT. (KG)
16/25	50	250	62	53.9	5	Ø60.3×3.2	340	200	Tr20×4LH	35	15	60	23.1
	65	270	77	68.9	6	Ø76.1×3.6	425	250	Tr24×5LH	40	17	85	32.9
	80	280	91	80.9	6	Ø88.9×4.0	420	250	Tr24×5LH	45	19	95	34.8
	100	300	117	104.3	8	Ø114.3×5.0	500	250	Tr26×5LH	50	23	115	50.0
	125	325	144	130.7	7	Ø139.7×4.5	590	350	Tr26×5LH	80	29	145	69.9

Note: 1) pipe acc. to DIN2448/ ISO4200 outside diameter×wall thickness.  
 2) The torque in the table does not contain safety factor.

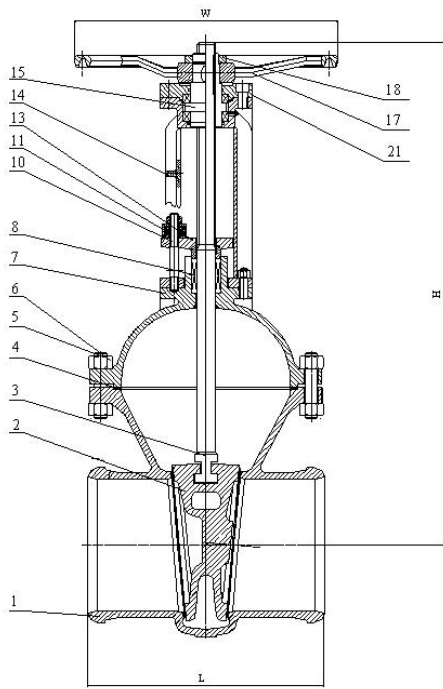
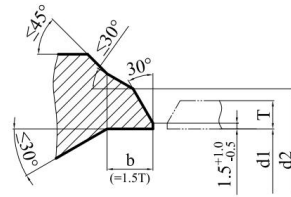
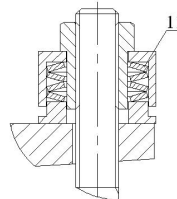


FIG.	Pressure	Material	Range
133.032 - BW + spring load system	PN16	1.0619N	DN150-DN500
153.032 - BW + spring load system	PN16	1.4408	DN150-DN500



EN 12627 Fig2

4mm < T ≤ 22mm DN150 - DN500



spring load system

**Design and manufacture acc. :**  
**AD 2000 A4**  
**ATEX 2014/34/EU**  
**EN 1984.**  
**End to end : EN 12982 Ser.15**  
**BW ends : EN 12627 Fig2**  
**Actuator conn. flange: ISO 5210**  
**Test acc. : EN 12266.**  
**TA-Luft Packing & Gasket**  
**Temperature range :**  
**-29°C ~ +450°C (1.0619N)**  
**-196°C ~ +400°C (1.4408)**

**Material list**

NO.	Part	Material	
		FIG. 153.032 - BW + spring load system	FIG. 133.032 - BW + spring load system
1	Body	1.4408 + STL	1.0619N+13Cr / 1.0619N+STL
2	Wedge	1.4408	1.0619N+13Cr / 1.4006(≤DN100) / 1.0619N+STL
3	Stem	1.4401	1.4021
4	Body seal	1.4401+Graphite	1.4301+Graphite
5	Bolts	A4-70 / A2-70	1.7225(GC)
6	Nut	A4-70 / A2-70	1.1181(YK)
7	Bonnet	1.4408	1.0619N
8	Packing	Graphite	Graphite
10	Bolt	A4-70 / A2-70	1.7225(GC)
11	Belleville spring	51CrV4	51CrV4
13	Gland flange	1.4408	1.0619N
14	Yoke	1.4408	1.0619N
15	Stem nut	0.7040	0.7040
17	Handwheel	0.7040	0.7040
18	Lock nut	1.4021	1.1181
21	ISO-Flange	1.4401	C22.8

**Dimension list**

PN	DN	L	d2	d1	b	For pipe	H	W	Stem	ISO-flange	Torque (N.m)	Number of turn	Hub	WT. (KG)
16	150	350	172	157.1	9	Ø168.3×5.6	670	400	Tr28×5LH	F10	90	34	170	97.5
	200	400	223	204.9	11	Ø219.1×7.1	830	400	Tr32×6LH	F14	150	36	216	138.6
	250	450	278	257.0	12	Ø273.0×8.0	955	450	Tr36×6LH	F14	200	46	276	242.0
	300	500	329	307.9	12	Ø323.9×8.0	1145	500	Tr40×7LH	F14	310	46	322	381.2
	350	550	362	338.0	14	Ø355.6×8.8	1210	500	Tr40×7LH	F16	400	53	371	396.8
	400	600	413	384.4	17	Ø406.4×11.0	1390	600	Tr44×8LH	F16	450	53	424	592.0
	500	700	516	479.6	22	Ø508.0×14.2	1730	700	Tr50×8LH	F25	700	67	536	939.0

Note: 1) pipe acc. to DIN2448/ ISO4200 outside diameter×wall thickness.

2) The torque in the table does not contain safety factor.

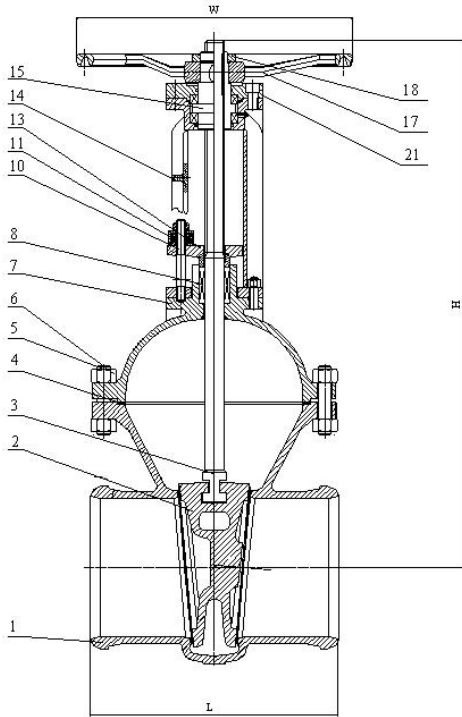
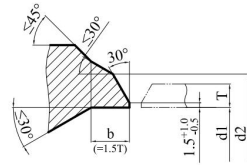
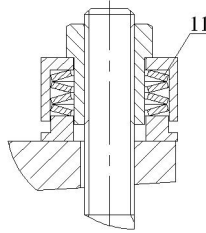


FIG.	Pressure	Material	Range
134.032 - BW + spring load system	PN25	1.0619N	DN150-DN500
154.032 - BW + spring load system	PN25	1.4408	DN150-DN500



EN 12627 Fig2  
4mm < T ≤ 22mm DN150 - DN500



spring load system

**Design and manufacture acc. :**  
**AD 2000 A4**  
**ATEX 2014/34/EU**  
**EN 1984.**  
**End to end : EN 12982 Ser.15**  
**BW ends : EN 12627 Fig2.**  
**Actuator conn. flange: ISO 5210**  
**Test acc. : EN 12266.**  
**TA-Luft Packing & Gasket**  
**Temperature range :**  
**-29°C ~ +450°C (1.0619N)**  
**-196°C ~ +400°C (1.4408)**

Material list

NO.	Part	Material	
		FIG. 154.032 -BW + spring load system	FIG. 134.032 - BW + spring load system
1	Body	1.4408 + STL	1.0619N+13Cr / 1.0619N+STL
2	Wedge	1.4408	1.0619N+13Cr / 1.4006(≤DN100 ) / 1.0619N+STL
3	Stem	1.4401	1.4021
4	Body seal	1.4401+Graphite	1.4301+Graphite
5	Bolts	A4-70 / A2-70	1.7225(GC)
6	Nut	A4-70 / A2-70	1.1181(YK)
7	Bonnet	1.4408	1.0619N
8	Packing	Graphite	Graphite
10	Bolt	A4-70 / A2-70	1.7225(GC)
11	Belleville spring	51CrV4	51CrV4
13	Gland flange	1.4408	1.0619N
14	Yoke	1.4408	1.0619N
15	Stem nut	0.7040	0.7040
17	Handwheel	0.7040	0.7040
18	Lock nut	1.4021	1.1181
21	ISO-Flange	1.4401	C22.8

Dimension list

PN	DN	L	d2	d1	b	For pipe	H	W	Stem	ISO-flange	Torque (N.m)	Number of turn	Hub	WT. (KG)
25	150	350	172	157.1	9	Ø168.3×5.6	670	400	Tr28×5LH	F14	90	34	170	100.0
	200	400	223	204.9	11	Ø219.1×7.1	830	400	Tr32×6LH	F14	160	36	216	138.6
	250	450	278	257.0	12	Ø273.0×8.0	955	450	Tr36×6LH	F14	220	46	276	242.0
	300	500	329	307.9	12	Ø323.9×8.0	1145	500	Tr40×7LH	F14	330	46	322	381.2
	350	550	362	338.0	14	Ø355.6×8.8	1210	500	Tr40×7LH	F16	420	53	371	396.8
	400	600	413	384.4	17	Ø406.4×11.0	1390	600	Tr44×8LH	F16	500	53	424	593.0
	500	700	516	479.6	22	Ø508.0×14.2	1730	700	Tr50×8LH	F25	750	67	536	945.0

Note: 1) pipe acc. to DIN2448/ ISO4200 outside diameter×wall thickness.  
 2) The torque in the table does not contain safety factor.

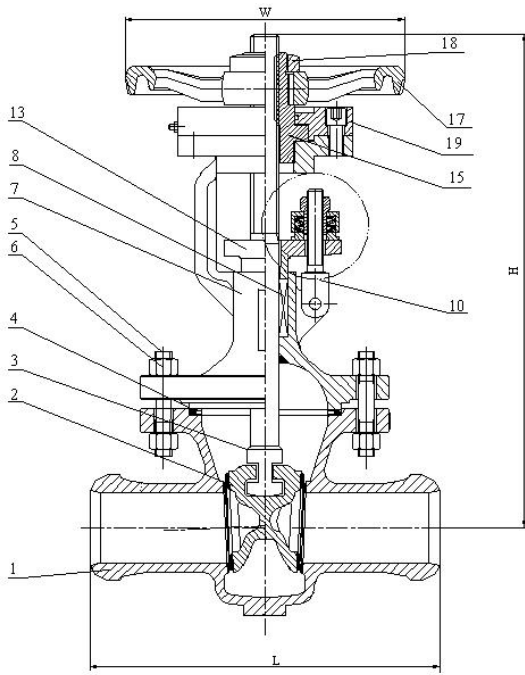
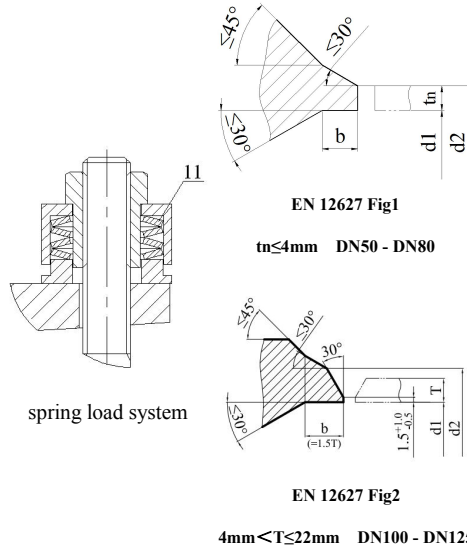


FIG.	Pressure	Material	Range
135.032 - BW + spring load system	PN40	1.0619N	DN50-DN125
155.032 - BW + spring load system	PN40	1.4408	DN50-DN125



Design and manufacture acc. :  
**AD 2000 A4**  
**ATEX 2014/34/EU**  
**EN 1984.**  
**End to end : EN 12982 Ser.26**  
**BW ends : EN 12627 Fig1/Fig2**  
**Actuator conn. flange: ISO 5210**  
**Test acc. : EN 12266.**  
**TA-Luft Packing & Gasket**  
**Temperature range :**  
**-29°C~ +450°C(1.0619N)**  
**-196°C~ +400°C(1.4408)**

Material list

NO.	Part	Material	
		FIG. 155.032 - BW + spring load system	FIG. 135.032 - BW + spring load system
1	Body	1.4408 / 1.4408 + STL (>DN100)	1.0619N+13Cr / 1.0619N+STL
2	Wedge	1.4408	1.0619N+13Cr / 1.4006(≤DN100 ) / 1.0619N+STL
3	Stem	1.4401	1.4021
4	Body seal	1.4401+Graphite	1.4301+Graphite
5	Bolts	A4-70 / A2-70	1.7225(GC)
6	Nut	A4-70 / A2-70	1.1181(YK)
7	Bonnet	1.4408	1.0619N
8	Packing	Graphite	Graphite
10	Fork bolt	A4-70 / A2-70	1.7225(GC)
11	Belleville spring	51CrV4	51CrV4
13	Gland flange	1.4408	1.0619N
15	Stem nut	0.7040	0.7040
17	Handwheel	0.7040	0.7040
18	Lock nut	1.4021	1.1181
19	ISO-Flange	1.4401	C22.8

Dimension list

PN	DN	L	d2	d1	b	For pipe	H	W	Stem	ISO-flange	Torque (N.m)	Number of turn	Hub	WT. (KG)
40	50	250	62	53.9	5	Ø60.3×3.2	340	200	Tr20×4LH	F10	35	15	60	23.1
	65	290	77	68.9	6	Ø76.1×3.6	415	39.3	Tr24×5LH	F10	40	17	85	34.1
	80	310	91	80.9	6	Ø88.9×4.0	420	250	Tr24×5LH	F10	50	19	95	36.6
	100	350	117	104.3	8	Ø114.3×5.0	485	250	Tr26×5LH	F10	55	23	115	55.0
	125	400	144	130.7	7	Ø139.7×4.5	590	350	Tr26×5LH	F14	90	29	145	76.0

Note: 1) pipe acc. to DIN2448/ ISO4200 outside diameter×wall thickness.  
 2) The torque in the table does not contain safety factor.

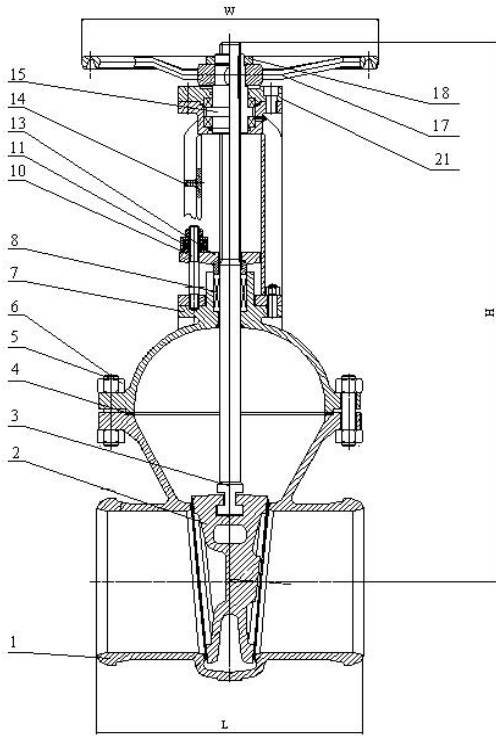
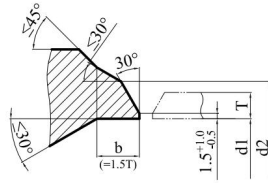
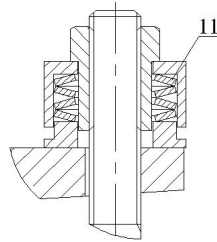


FIG.	Pressure	Material	Range
135.032 - BW + spring load system	PN40	1.0619N	DN150-DN500
155.032 -BW + spring load system	PN40	1.4408	DN150-DN500



EN 12627 Fig2

4mm<math>T \le 22\text{mm}</math> DN150 - DN500



spring load system

**Design and manufacture acc. :**  
**AD 2000 A4**  
**ATEX 2014/34/EU**  
**EN 1984.**  
**End to end : EN 12982 Ser.26**  
**BW ends : EN 12627 Fig2**  
**Actuator conn. flange: ISO 5210**  
**Test acc. : EN 12266.**  
**TA-Luft Packing & Gasket**  
**Temperature range :**  
 -29°C~+450°C(1.0619N)  
 -196°C~+400°C(1.4408)

Material list

NO.	Part	Material	
		FIG. 155.032 - BW + spring load system	FIG. 135.032 - BW + spring load system
1	Body	1.4408 + STL	1.0619N+13Cr / 1.0619N+STL
2	Wedge	1.4408	1.0619N+13Cr / 1.4006( $\le$ DN100) / 1.0619N+STL
3	Stem	1.4401	1.4021
4	Body seal	1.4401+Graphite	1.4301+Graphite
5	Bolts	A4-70 / A2-70	1.7225(GC)
6	Nut	A4-70 / A2-70	1.1181(YK)
7	Bonnet	1.4408	1.0619N
8	Packing	Graphite	Graphite
10	Bolt	A4-70 / A2-70	1.7225(GC)
11	Belleville spring	51CrV4	51CrV4
13	Gland flange	1.4408	1.0619N
14	Yoke	1.4408	1.0619N
15	Stem nut	0.7040	0.7040
17	Handwheel	0.7040	0.7040
18	Lock nut	1.4021	1.1181
21	ISO-Flange	1.4401	C22.8

Dimension list

PN	DN	L	d2	d1	b	For pipe	H	W	Stem	ISO-flange	Torque (N.m)	Number of turn	Hub	WT. (KG)
40	150	450	172	157.1	9	Ø168.3×5.6	670	400	Tr28×5LH	F14	100	34	170	103.6
	200	550	223	204.9	11	Ø219.1×7.1	830	400	Tr32×6LH	F14	170	36	216	171.0
	250	650	278	257.0	12	Ø273.0×8.0	955	450	Tr36×6LH	F14	230	46	276	299.0
	300	750	329	307.9	12	Ø323.9×8.0	1145	500	Tr44×7LH	F14	350	40	320	445.0

Note: 1) pipe acc. to DIN2448/ ISO4200 outside diameter×wall thickness.

2) The torque in the table does not contain safety factor.

Pressure-temperature limit rating table

Body Material	Nominal Pressure(PN)	Temperature(°C)	Pressure(barg)
1.0619N	16	-10	16
		100	14.8
		150	14
		200	13.3
		250	12.1
		300	11
		350	10.2
		400	9.5
1.0619N	25	450	5.2
		-10	25
		100	23.2
		150	22
		200	20.8
		250	19
		300	17.2
		350	16
1.0619N	40	400	14.8
		450	8.2
		-10	40
		100	37.1
		150	35.2
		200	33.3
		250	30.4
		300	27.6
1.4408	16	350	25.7
		400	23.8
		450	13.1
		-10	16
		100	16
		150	14.5
		200	13.4
1.4408	25	250	12.7
		300	11.8
		350	11.4
		400	10.9
		-10	25
		100	25
		150	22.7
1.4408	40	200	21
		250	19.8
		300	18.5
		350	17.8
		400	17.1
		-10	40
		100	40
		150	36.3
200	33.7		
250	31.8		
300	29.7		
350	28.5		
400	27.4		