

Design acc. :
AD 2000 A4,ATEX 2014/34/EU,EN 1984.
End to end : EN 12982 Ser.15/Ser.26
BW ends : EN 12627 Fig1/Fig2
Test acc. : EN12266.
Temperature range :
 -29°C~ +450°C(1.0619N)
 -196°C~ +400°C(1.4408)
Body : 1.0619N /1.4408

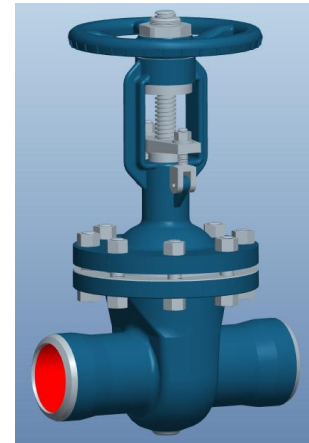
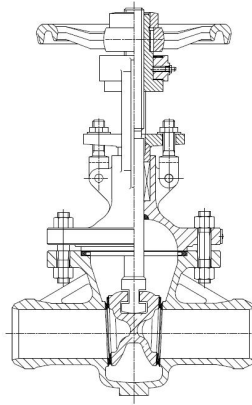
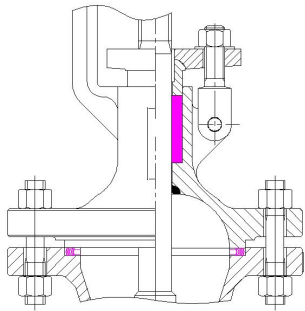
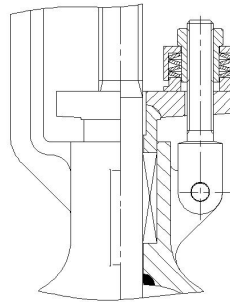


FIG: 031-BW

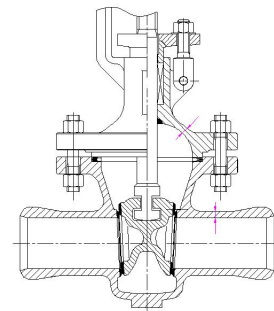
Available



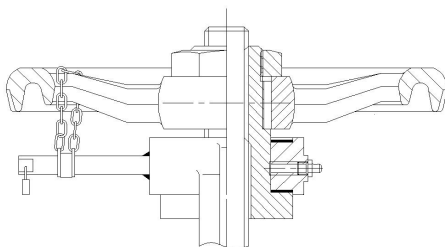
TA Luft gasket and TA Luft Packing



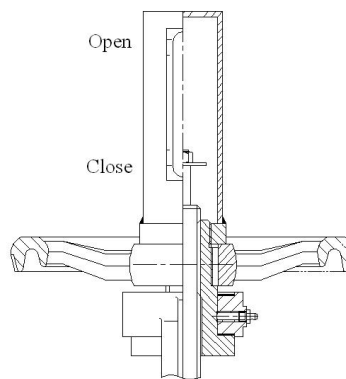
TA Luft gasket and TA Luft Packing with spring load system



Wall thickness for PN16 is the same as for PN25 valves



Locking device



Position indicator

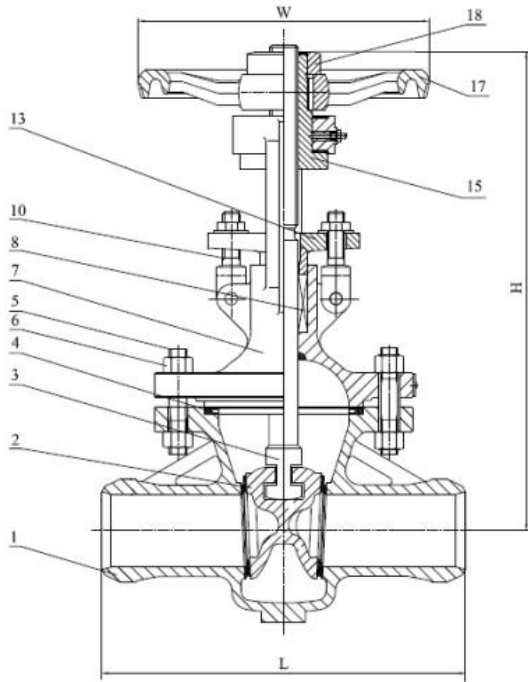
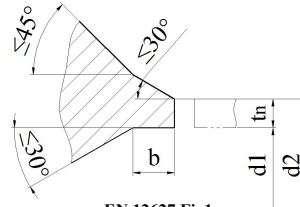
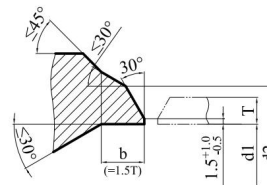


FIG.	Pressure	Material	Range
133.031 - BW	PN16	1.0619N	DN50-DN125
134.031 - BW	PN25	1.0619N	DN50-DN125
153.031 - BW	PN16	1.4408	DN50-DN125
154.031 - BW	PN25	1.4408	DN50-DN125



EN 12627 Fig1

tn≤4mm DN50 - DN80



EN 12627 Fig2

4mm<T≤22mm DN100 - DN125

**Design and manufacture acc. :
AD 2000 A4**

ATEX 2014/34/EU

EN 1984.

End to end : EN 12982 Ser.15

BW ends : EN 12627 Fig1/Fig2

Test acc. : EN12266.

Temperature range :

-29°C ~ +450°C (1.0619N)

-196°C ~ +400°C (1.4408)

Material list

NO.	Part	Material	
		FIG. 153.031 - BW / 154.031 - BW	FIG. 133.031 - BW / 134.031 - BW
1	Body	1.4408 / 1.4408 + STL (>DN100)	1.0619N+13Cr
2	Wedge	1.4408	1.0619N+13Cr / 1.4006(≤DN100)
3	Stem	1.4401	1.4021
4	Body seal	1.4401+Graphite	1.4301+Graphite
5	Bolts	A4-70	1.7225(GC)
6	Nut	A4-70	1.1181(YK)
7	Bonnet	1.4408	1.0619N
8	Packing	Graphite	Graphite
10	Fork bolt	A4-70	1.7225(GC)
13	Gland flange	1.4408	1.0619N
15	Stem nut	0.7040	0.7040
17	Handwheel	0.7040	0.7040
18	Lock nut	1.4021	1.1181

Dimension list

PN	DN	L	d2	d1	b	For pipe	H	W	Stem	Torque (N.m)	Number of turn	Hub	WT. (KG)
16/25	50	250	62	53.9	5	Ø60.3×3.2	340	200	Tr20×4LH	35	15	60	23.1
	65	270	77	68.9	6	Ø76.1×3.6	425	250	Tr24×5LH	40	17	85	32.9
	80	280	91	80.9	6	Ø88.9×4.0	420	250	Tr24×5LH	45	19	95	34.8
	100	300	117	104.3	8	Ø114.3×5.0	500	250	Tr26×5LH	50	23	115	50.0
	125	325	144	130.7	7	Ø139.7×4.5	590	350	Tr26×5LH	80	29	145	69.9

Note: 1) pipe acc. to DIN2448/ ISO4200 outside diameter×wall thickness.

2) The torque in the table does not contain safety factor.

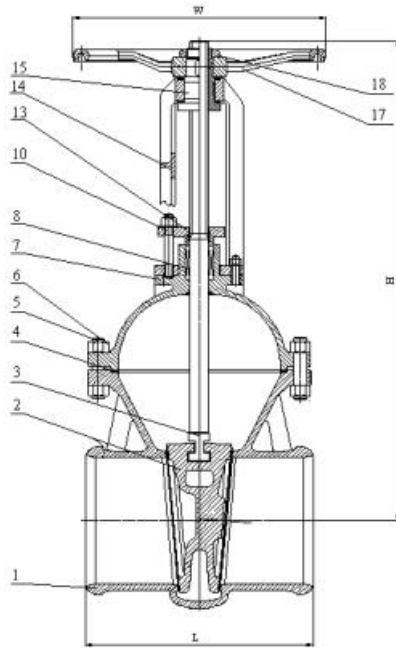
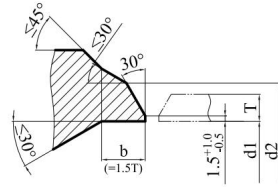


FIG.	Pressure	Material	Range
133.031 - BW	PN16	1.0619N	DN150-DN500
153.031 - BW	PN16	1.4408	DN150-DN500



EN 12627 Fig2

4mm < T ≤ 22mm DN150 - DN500

Design and manufacture acc. :
AD 2000 A4

ATEX 2014/34/EU

EN 1984.

End to end : EN 12982 Ser.15

BW ends : EN 12627 Fig2

Test acc. : EN12266.

Temperature range :

-29°C ~ +450°C (1.0619N)

-196°C ~ +400°C (1.4408)

Material list

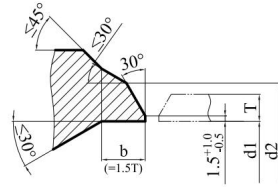
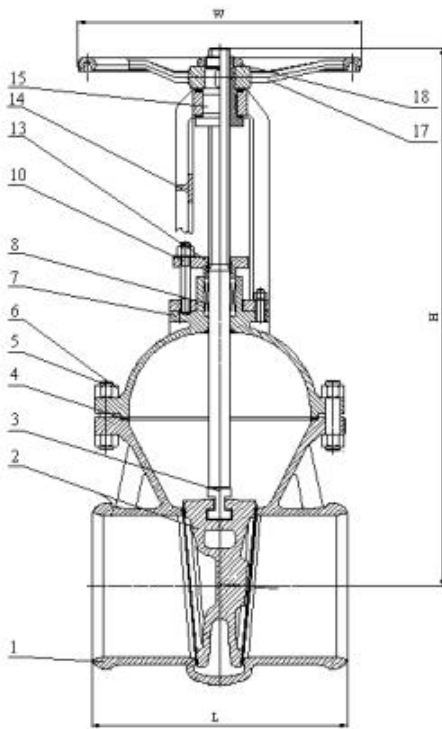
NO.	Part	Material	
		FIG. 153.031 - BW	FIG. 133.031 - BW
1	Body	1.4408 + STL	1.0619N+13Cr
2	Wedge	1.4408	1.0619N +13Cr / 1.4006(≤DN100)
3	Stem	1.4401	1.4021
4	Body seal	1.4401+Graphite	1.4301+Graphite
5	Bolts	A4-70	1.7225(GC)
6	Nut	A4-70	1.1181(YK)
7	Bonnet	1.4408	1.0619N
8	Packing	Graphite	Graphite
10	Bolt	A4-70	1.7225(GC)
13	Gland flange	1.4408	1.0619N
14	Yoke	1.4408	1.0619N
15	Stem nut	0.7040	0.7040
17	Handwheel	0.7040	0.7040
18	Lock nut	1.4021	1.1181

Dimension list

PN	DN	L	d2	d1	b	For pipe	H	W	Stem	Torque (N.m)	Number of turn	Hub	WT. (KG)
16	150	350	172	157.1	9	Ø168.3×5.6	670	400	Tr28×5LH	90	34	170	97.5
	200	400	223	204.9	11	Ø219.1×7.1	830	400	Tr32×6LH	150	36	216	138.6
	250	450	278	257.0	12	Ø273.0×8.0	955	450	Tr36×6LH	200	46	276	242.0
	300	500	329	307.9	12	Ø323.9×8.0	1145	500	Tr40×7LH	310	46	322	381.2
	350	550	362	338.0	14	Ø355.6×8.8	1210	500	Tr40×7LH	400	53	371	396.8
	400	600	413	384.4	17	Ø406.4×11.0	1390	600	Tr44×8LH	450	53	424	592.0
	500	700	516	479.6	22	Ø508.0×14.2	1730	700	Tr50×8LH	700	67	536	939.0

Note: 1) pipe acc. to DIN2448/ ISO4200 outside diameter×wall thickness.

2) The torque in the table does not contain safety factor.



EN 12627 Fig2

4mm < T ≤ 22mm DN150 - DN500

FIG.	Pressure	Material	Range
134.031 - BW	PN25	1.0619N	DN150-DN500
154.031 - BW	PN25	1.4408	DN150-DN500

Design and manufacture acc. :

AD 2000 A4

ATEX 2014/34/EU

EN 1984.

End to end : EN 12982 Ser.15

BW ends : EN 12627 Fig2

Test acc. : EN12266.

Temperature range :

-29°C ~ +450°C (1.0619N)

-196°C ~ +400°C (1.4408)

Material list

NO.	Part	Material	
		FIG. 154.031 - BW	FIG. 134.031 - BW
1	Body	1.4408 + STL	1.0619N+13Cr
2	Wedge	1.4408	1.0619N+13Cr / 1.4006(≤DN100)
3	Stem	1.4401	1.4021
4	Body seal	1.4401+Graphite	1.4301+Graphite
5	Bolts	A4-70	1.7225(GC)
6	Nut	A4-70	1.1181(YK)
7	Bonnet	1.4408	1.0619N
8	Packing	Graphite	Graphite
10	Bolt	A4-70	1.7225(GC)
13	Gland flange	1.4408	1.0619N
14	Yoke	1.4408	1.0619N
15	Stem nut	0.7040	0.7040
17	Handwheel	0.7040	0.7040
18	Lock nut	1.4021	1.1181

Dimension list

PN	DN	L	d2	d1	b	For pipe	H	W	Stem	Torque (N.m)	Number of turn	Hub	WT. (KG)
25	150	350	172	157.1	9	Ø168.3×5.6	670	400	Tr28×5LH	90	34	170	100.0
	200	400	223	204.9	11	Ø219.1×7.1	830	400	Tr32×6LH	160	36	216	138.6
	250	450	278	257.0	12	Ø273.0×8.0	955	450	Tr36×6LH	220	46	276	242.0
	300	500	329	307.9	12	Ø323.9×8.0	1145	500	Tr40×7LH	330	46	322	381.2
	350	550	362	338.0	14	Ø355.6×8.8	1210	500	Tr40×7LH	420	53	371	396.8
	400	600	413	384.4	17	Ø406.4×11.0	1390	600	Tr44×8LH	500	53	424	593.0
	500	700	516	479.6	22	Ø508.0×14.2	1730	700	Tr50×8LH	750	67	536	945.0

Note: 1) pipe acc. to DIN2448/ ISO4200 outside diameter×wall thickness.

2) The torque in the table does not contain safety factor.

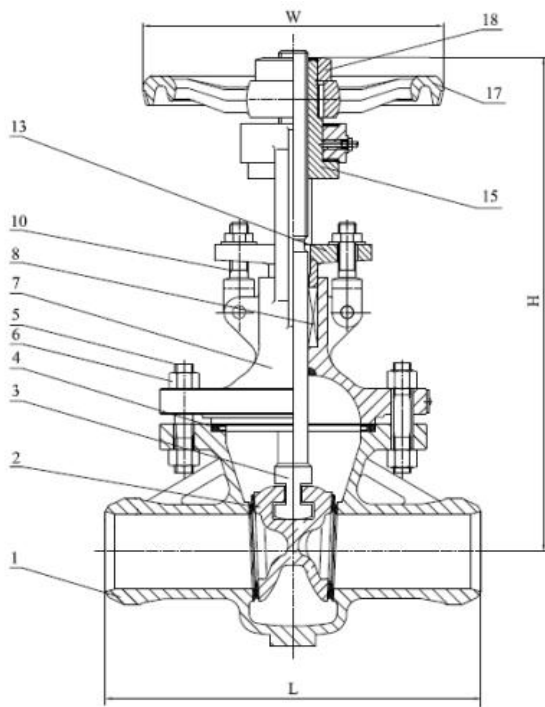
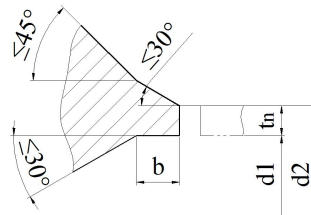
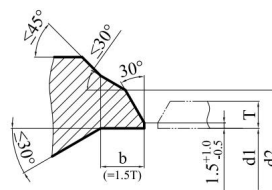


FIG.	Pressure	Material	Range
135.031 - BW	PN40	1.0619N	DN50-DN125
155.031 - BW	PN40	1.4408	DN50-DN125



EN 12627 Fig1

tn ≤ 4mm DN50 - DN80



EN 12627 Fig2

4mm < T ≤ 22mm DN100 - DN125

**Design and manufacture acc. :
AD 2000 A4**

ATEX 2014/34/EU

EN 1984.

End to end : EN 12982 Ser.26

BW ends : EN 12627 Fig1/Fig2

Test acc. : EN12266.

Temperature range :

-29°C ~ +450°C (1.0619N)

-196°C ~ +400°C (1.4408)

Material list

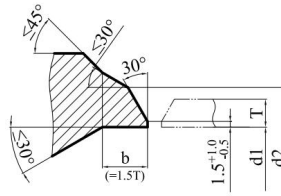
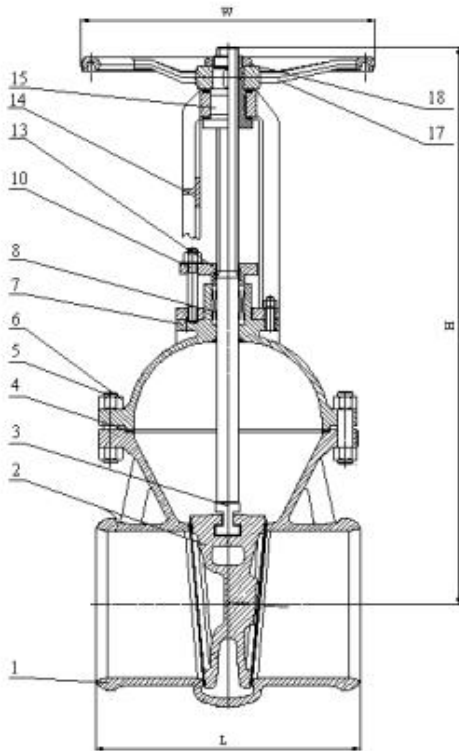
NO.	Part	Material	
		FIG. 155.031 - BW	FIG. 135.031 - BW
1	Body	1.4408 / 1.4408 + STL (> DN100)	1.0619N+13Cr
2	Wedge	1.4408	1.0619N +13Cr / 1.4006(≤ DN100)
3	Stem	1.4401	1.4021
4	Body seal	1.4401+Graphite	1.4301+Graphite
5	Bolts	A4-70	1.7225(GC)
6	Nut	A4-70	1.1181(YK)
7	Bonnet	1.4408	1.0619N
8	Packing	Graphite	Graphite
10	Fork bolt	A4-70	1.7225(GC)
13	Gland flange	1.4408	1.0619N
15	Stem nut	0.7040	0.7040
17	Handwheel	0.7040	0.7040
18	Lock nut	1.4021	1.1181

Dimension list

PN	DN	L	d2	d1	b	For pipe	H	W	Stem	Torque (N.m)	Number of turn	Hub	WT.. (KG)
40	50	250	62	53.9	5	Ø60.3×3.2	340	200	Tr20×4LH	35	15	60	23.1
	65	290	77	68.9	6	Ø76.1×3.6	415	250	Tr24×5LH	40	17	85	34.1
	80	310	91	80.9	6	Ø88.9×4.0	420	250	Tr24×5LH	50	19	95	36.6
	100	350	117	104.3	8	Ø114.3×5.0	485	250	Tr26×5LH	55	23	115	55.0
	125	400	144	130.7	7	Ø139.7×4.5	590	350	Tr26×5LH	90	29	145	76.0

Note: 1) pipe acc. to DIN2448/ ISO4200 outside diameter × wall thickness.

2) The torque in the table does not contain safety factor.



EN 12627 Fig2

4mm < T ≤ 22mm DN150 - DN500

FIG.	Pressure	Material	Range
135.031 - BW	PN40	1.0619N	DN150-DN500
155.031 - BW	PN40	1.4408	DN150-DN500

**Design and manufacture acc. :
AD 2000 A4**

ATEX 2014/34/EU

EN 1984.

End to end : EN 12982 Ser.26

BW ends : EN 12627 Fig2

Test acc. : EN12266.

Temperature range :

-29°C ~ +450°C (1.0619N)

-196°C ~ +400°C (1.4408)

Material list

NO.	Part	Material	
		FIG. 155.031 - BW	FIG. 135.031 - BW
1	Body	1.4408 + STL	1.0619N+13Cr
2	Wedge	1.4408	1.0619N +13Cr / 1.4006(≤DN100)
3	Stem	1.4401	1.4021
4	Body seal	1.4401+Graphite	1.4301+Graphite
5	Bolts	A4-70	1.7225(GC)
6	Nut	A4-70	1.1181(YK)
7	Bonnet	1.4408	1.0619N
8	Packing	Graphite	Graphite
10	Bolt	A4-70	1.7225(GC)
13	Gland flange	1.4408	1.0619N
14	Yoke	1.4408	1.0619N
15	Stem nut	0.7040	0.7040
17	Handwheel	0.7040	0.7040
18	Lock nut	1.4021	1.1181

Dimension list

PN	DN	L	d2	d1	b	For pipe	H	W	Stem	Torque (N.m)	Number of turn	Hub	WT. (KG)
40	150	450	172	157.1	9	Ø168.3×5.6	670	400	Tr28×5LH	100	34	170	103.6
	200	550	223	204.9	11	Ø219.1×7.1	830	400	Tr32×6LH	170	36	216	171.0
	250	650	278	257.0	12	Ø273.0×8.0	955	450	Tr36×6LH	230	46	276	299.0
	300	750	329	307.9	12	Ø323.9×8.0	1145	500	Tr44×8LH	350	40	320	445.0

Note: 1) pipe acc. to DIN2448/ ISO4200 outside diameter×wall thickness.

2) The torque in the table does not contain safety factor.