

DIN High-pressure Bellows seal globe valve for the containment and isolation of hazardous liquids and gases

Fig.119

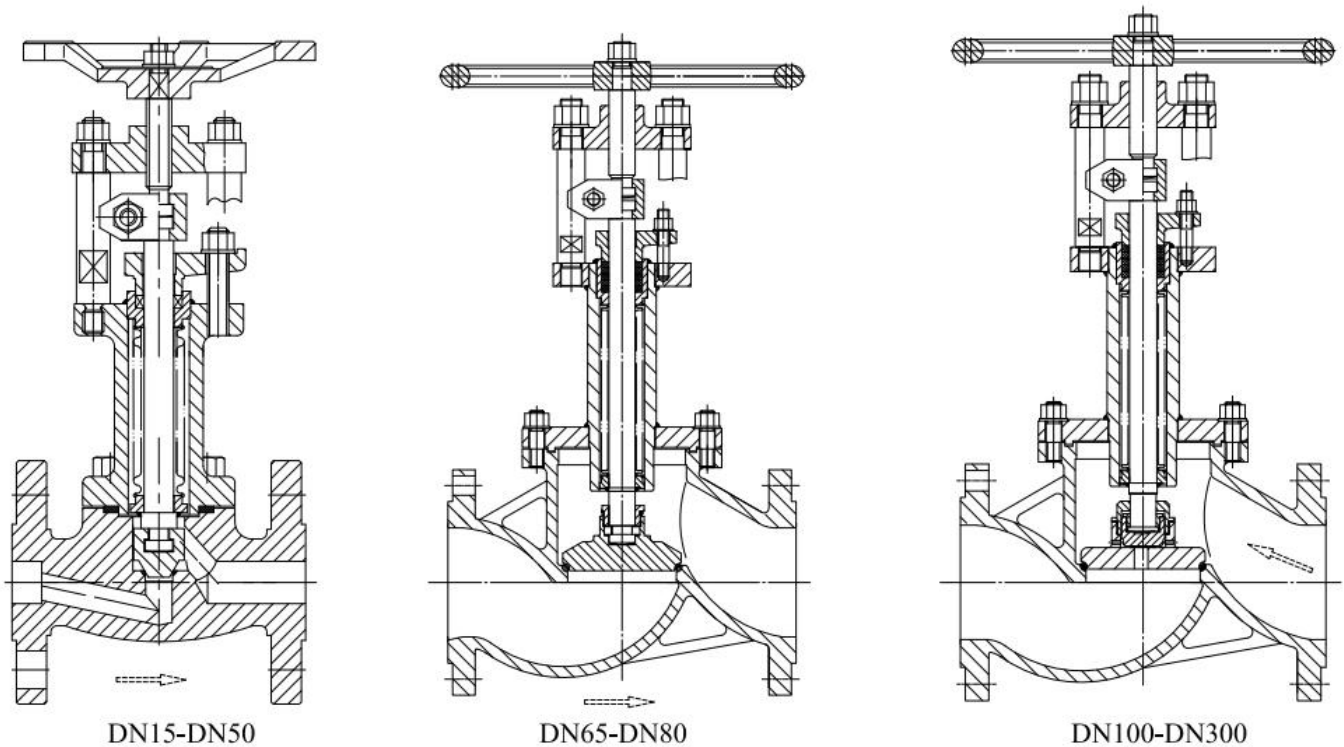
DN15-DN300

PN63,PN100,PN160

Body 1.0460(A105N)/1.4401(A182 F316) for DN15-DN50

Body 1.0619(A216 WCB)/1.4408(A351 CF8M) for DN65-DN300

10 000 cycles 1.4571 Witzmann bellows

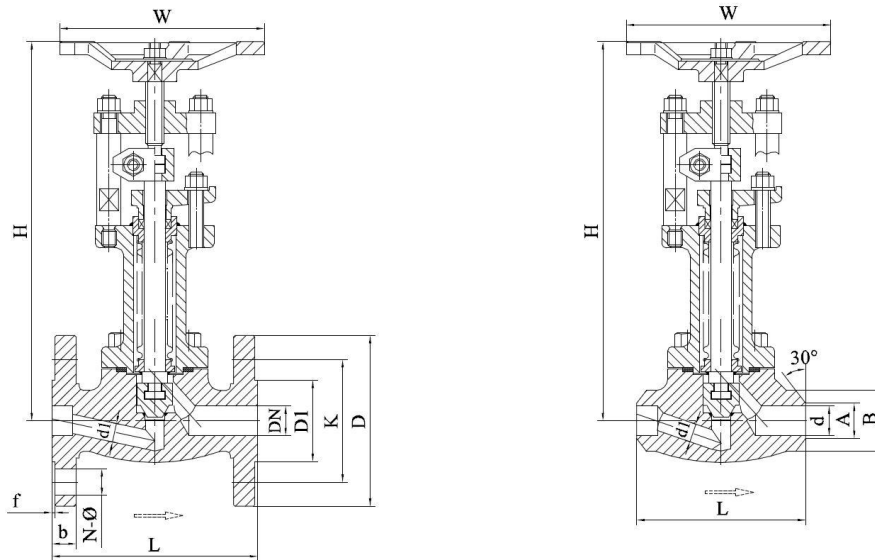


Design features

- Straight type,seat hardfaced ,conical plug
- Bellows protected in extended bonnet or by protecting plate against direct impingement from product flow
- Multiple walls and hydroformed Witzmann bellows,and 10 000 cycles operations guaranteed
- two-piece stem protects the bellows against torque stress
- design eliminates stem bearings along with their maintenance needs
- Fire safe per EN ISO 10497 applicable
- Fugitive emissions test per EN ISO 15848 applicable

Applications

Fig. 119 is design guarantees reliable and excellent protections against leaks and fugitive emissions. The stem seal requires virtually no maintenance due to leak free weld connections of the bellows with bonnet and stem. The valve is designed for critical service applications involving lethal, toxic, corrosive, inflammable, volatile, radiating, or expensive fluids.



Design acc. to EN 12516 / EN 13709

Flange ends acc. to EN 1092-1; BW ends acc. to DIN 3239

Standard test acc. to EN 12266 / ISO 5208

FTT (ETE) dimension acc. to EN 558-1 / EN 12982

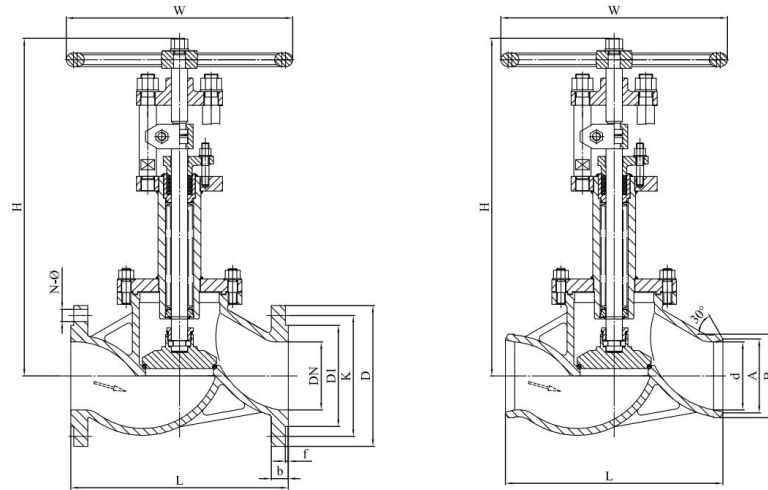
PN	DN	L	D	K	D1	b	f	N-Ø	W	H	d	d1*	A	B
63 / 100/ 160	15	210	105	75	45	20	2	4-14	148	306	15	12	22	32
	20	230	130	90	58	22	2	4-18	148	306	20	17	28	32
	25	230	140	100	68	24	2	4-18	148	310	25	22	34	38
	32	260	155	110	78	26	2	4-22	196	420	32	28	43	60
	40	260	170	125	88	28	3	4-22	196	420	40	35	49	60
63	50	300	180	135	102	26	3	4-22	196	432	50	44	61	70
100/160	50	300	195	145	102	30	3	4-26	196	432	50	44	61	70

* d1 acc.API602 Minimum Diameter or Equivalent Flow Passageway for Full-bore Valves

FIG.	PN	Material	Range
146.119/146.119-BW	PN63	1.0460(A105)	DN15-DN50
147.119/147.119-BW	PN100	1.0460(A105)	DN15-DN50
148.119/148.119-BW	PN160	1.0460(A105)	DN15-DN50
236.119/236.119-BW	PN63	1.4401(A182 F316)	DN15-DN50
237.119/237.119-BW	PN100	1.4401(A182 F316)	DN15-DN50
238.119/238.119-BW	PN160	1.4401(A182 F316)	DN15-DN50

Material List

Component	C.S.	S.S.
Body	1.0460	1.4401
Body seat	1.4370/1.4551	1.4404/Stellit 21
Disc	1.4021 QT	1.4404
Disc seat	1.4021 QT	Stellit 21/Stellit 6
Stem	1.4021	1.4404
Bellows	1.4571	1.4571
Bolts	1.7225(GC) / A2-70	A2-70 / A4-70
Nuts	1.1181(YK) / A2	A2 / A4



Design acc. to EN 12516 / EN 13709

Flange ends acc. to EN 1092-1; BW ends acc. to DIN 3239

Standard test acc. to EN 12266 / ISO 5208

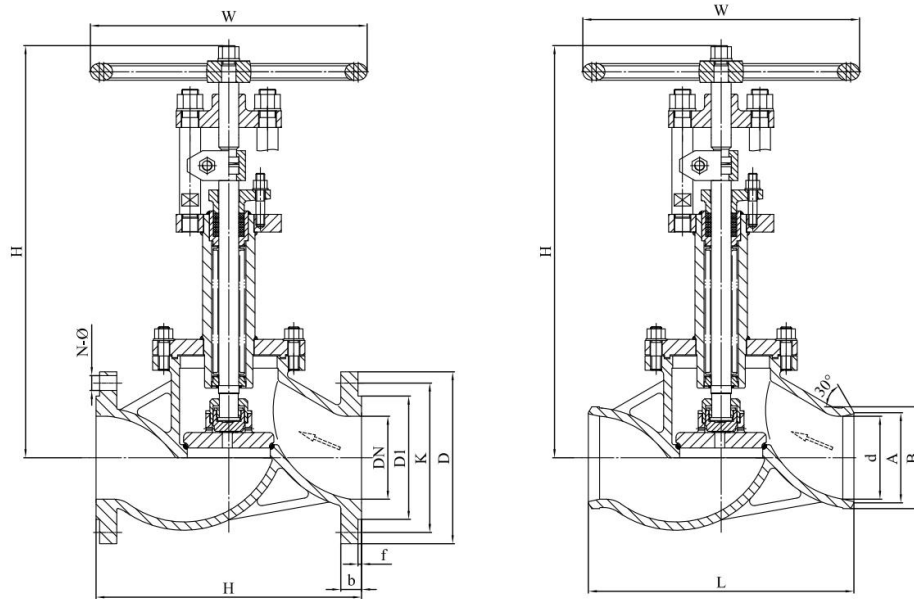
FTT (ETE) dimension acc. to EN 558-1 / EN 12982

PN	DN	L	D	K	D1	b	f	N-Ø	W	H	d	A	B
63	65	340	205	160	122	26	3	8-22	220	495	65	72	92
	80	380	215	170	138	28	3	8-22	250	548	78	84	106
100 / 160	65	340	220	170	122	34	3	8-26	220	495	65	72	92
	80	380	230	180	138	36	3	8-26	250	548	78	84	106

FIG.	PN	Material	Range
136.119/136.119-BW	PN63	1.0619(A216 WCB)	DN65-DN80
137.119/137.119-BW	PN100	1.0619(A216 WCB)	DN65-DN80
138.119/138.119-BW	PN160	1.0619(A216 WCB)	DN65-DN80
156.119/156.119-BW	PN63	1.4408(A351 CF8M)	DN65-DN80
157.119/157.119-BW	PN100	1.4408(A351 CF8M)	DN65-DN80
158.119/158.119-BW	PN160	1.4408(A351 CF8M)	DN65-DN80

Material List

Component	C.S.	S.S.
Body	1.0619	1.4408
Body seat	1.4370/1.4551	1.4408/Stellit 21
Disc	1.4021 QT	1.4404
Disc seat	1.4021 QT	Stellit 21/Stellit 6
Stem	1.4021	1.4404
Bellows	1.4571	1.4571
Bolts	1.7225(GC) / A2-70	A2-70 / A4-70
Nuts	1.1181(YK) / A2	A2 / A4



Design acc. to EN 12516 / EN 13709

Flange ends acc. to EN 1092-1; BW ends acc. to DIN 3239

Standard test acc. to EN 12266 / ISO 5208

FTT (ETE) dimension acc. to EN 558-1 / EN 12982

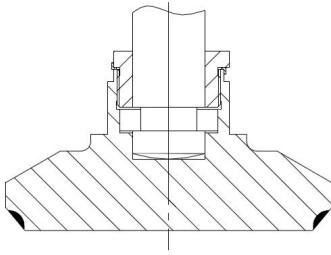
PN	DN	L	D	K	D1	b	f	N-Ø	W	H	d	A	B
63	100	430	250	200	162	30	3	8-26	320	626	100	107	122
	125	500	295	240	188	34	3	8-30	320	710	125	135	157
	150	550	345	280	218	36	3	8-33	400	855	150	163	184
	200	650	415	345	285	42	3	12-36	500	1016	200	211	238
	250	775	470	400	345	46	3	12-36	600	1240	300	262	296
	300	900	530	460	410	52	4	16-36	600	1287	330	310	345
100	100	430	265	210	162	40	3	8-30	320	626	100	107	122
	125	500	315	250	188	40	3	8-33	320	710	125	135	157
	150	550	355	290	218	44	3	12-33	400	855	150	163	184
	200	650	430	360	285	52	3	12-36	500	1016	200	211	238
	250	775	505	430	345	60	3	12-39	600	1240	300	262	296
	300	900	585	500	410	68	4	16-42	600	1287	330	310	345
160	100	430	265	210	162	40	3	8-30	320	626	100	107	122
	125	500	315	250	188	44	3	8-33	320	710	125	135	157
	150	550	355	290	218	50	3	12-33	400	855	150	163	184
	200	650	430	360	285	60	3	12-36	500	1016	200	211	238
	250	775	505	430	345	68	3	12-39	600	1240	300	262	296
	300	900	585	500	410	78	4	16-42	600	1287	330	310	345

FIG.	PN	Material	Range
136.119/136.119-BW	PN63	1.0619(A216 WCB)	DN100-DN300
137.119/137.119-BW	PN100	1.0619(A216 WCB)	DN100-DN300
138.119/138.119-BW	PN160	1.0619(A216 WCB)	DN100-DN300
156.119/156.119-BW	PN63	1.4408(A351 CF8M)	DN100-DN300
157.119/157.119-BW	PN100	1.4408(A351 CF8M)	DN100-DN300
158.119/158.119-BW	PN160	1.4408(A351 CF8M)	DN100-DN300

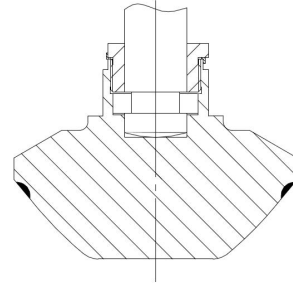
Material List

Component	C.S.	S.S.
Body	1.0619	1.4408
Body seat	1.4370/1.4551	1.4408/Stellit 21
Disc	1.0425	1.4404
Disc seat	1.4009	Stellit 21/Stellit 6
Stem	1.4021	1.4404
Bellows	1.4571	1.4571
Bolts	1.7225(GC) / A2-70	A2-70 / A4-70
Nuts	1.1181(YK) / A2	A2 / A4

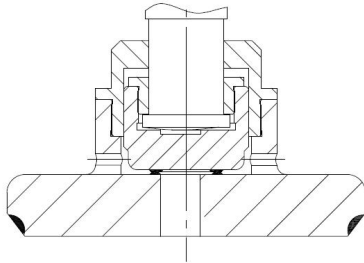
Available



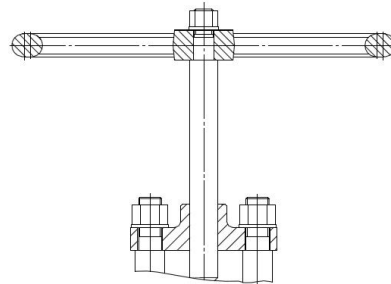
Isolation plug with marginal seat



Regulating plug with marginal seat



Balancing plug



Extended stem