

FLEU

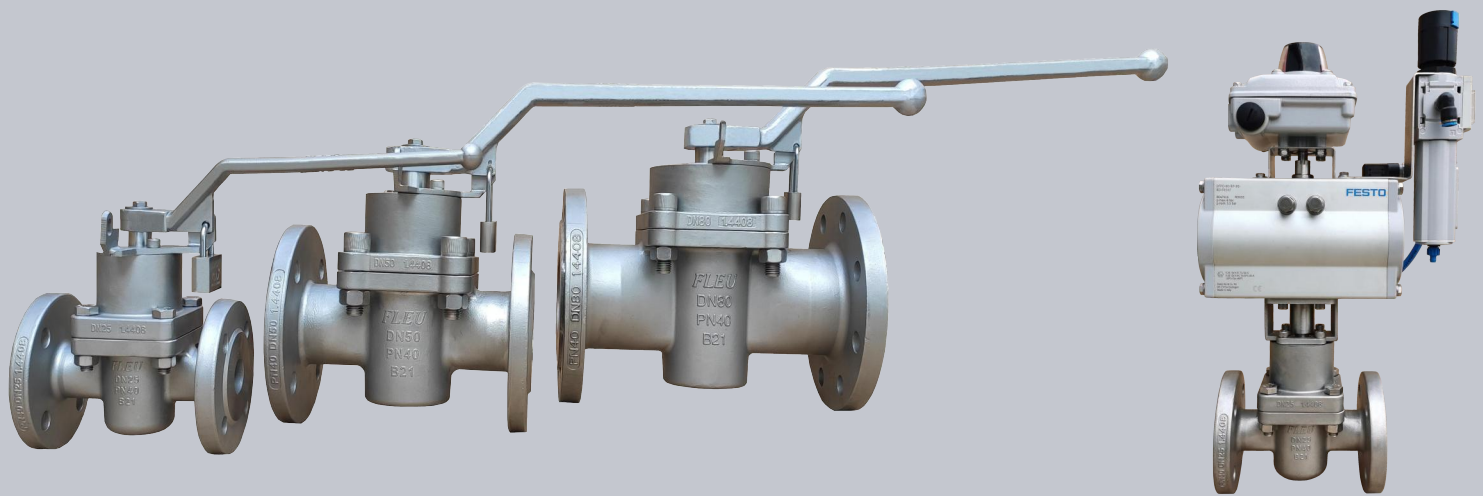
Chemical

B21-5S high performance Plug Valve

Patented design

TA-Luft 2021 , ISO 15848-1 CO3 -60 200

0 Leakage after 100 000 cycle



FLEU B21 5S

Low Emission Sleeved Plug Valves

www.fleu-valve.com

FLEU 5S Design Features and Technical Specification

Applications **CHEMICAL**

Chemicals TDI, MDI, Ethylenoxid

Chlor, Alkali, Pulp and Paper, desalination of seawater

Polymers, Polypropylene plant

ammonia, Fertilizers

Hydrofluoric Acid

Technical Details

Body Materials Carbon Steel 1.0619, ASTM A216 WCB, 1.1138, ASTM A352 LCC/LCB

Stainless Steel 1.4408, ASTM A351 CF8M, 1.4308, ASTM A351 CF8

Size range 1/2" - 24" / DN15 - DN600

Pressure range 150lbs - 300lbs / PN10 - PN40

Temperature range -50 up to +280

Connection Flanged End, Weld End

Options Different sleeve and packing materials, Firesafe, Actuation, Full bore(DN20) and reduced bore(DN25)

Certificates ISO15848-1 (BH CO3 -60°C 200°C SSA 0), TA-Luft 2021, DGRL 2014/68/EU, AD 2000, API607

Design features

1. Camprofiled body cover joint gasket.
2. 360° port lips on body prevent cold flow and deformation of the sleeve, eliminating the chances that the sleeve will rotate during thermal cycling.
3. Pressure relief hole depending on condition as for Hydrofluoric Acid, Chlor, Oleum.
4. With locking device.
5. 5"/DN125 and larger: Gear box.
6. Dead cavity free.
7. Maintenance free, self-lubrication, these valves prevent accumulation or contamination of process media.
8. Plug adjustability.
9. Mounting-flange for actuators acc. to DIN ISO 5211.
10. Anti-static design.

Design standards for DIN valves

1. Design acc. to AD 2000 A4, ATEX 2014/34/EU, EN 12516.
2. Inspection and test acc. to EN 12266
3. Face to face dimension:
For DN15-DN100, acc. to EN 558-1, G1;
For DN125 and larger, acc. to EN 558-1, G3 .
4. Dimension of connection end flange acc. to EN 1092-1, From B1, BW end acc. to EN 12627.

Design standards for ANSI valves

1. Design acc. to ASME B16.34.
2. Inspection and test acc. to API 598.
3. Face to face dimension acc. to ASME B16.10 .
4. Dimension of connection end flange acc. to ASME B16.5, BW end acc. to ASME B16.25.

FLEU 5S Low Emission Features and Benefits

FLEU 5S stem seal System

The 5S Soft Seated Sleeved Plug Valve is with Stem packing, permits fugitive emissions control ISO 15848-1BH CO3 -60°C 200°C SSA 0 and TA Luft 2021 at temperatures and meet the stringent emissions standards in the chemical industry.



The live-loaded design optimizes sealing performance (self-adjusted) and extended service life without Packing or sleeve adjustment.

Options:

Different packing materials to suit different temperatures and applications, PTFE or Viton Packing up to 200°C and graphite packing up to 280°C

Different sleeve material

The patented 5 seal system including the live-loaded stem guarantee the absolute seal to atmosphere and seat even under temperature change.

Details about the 5S seal system:

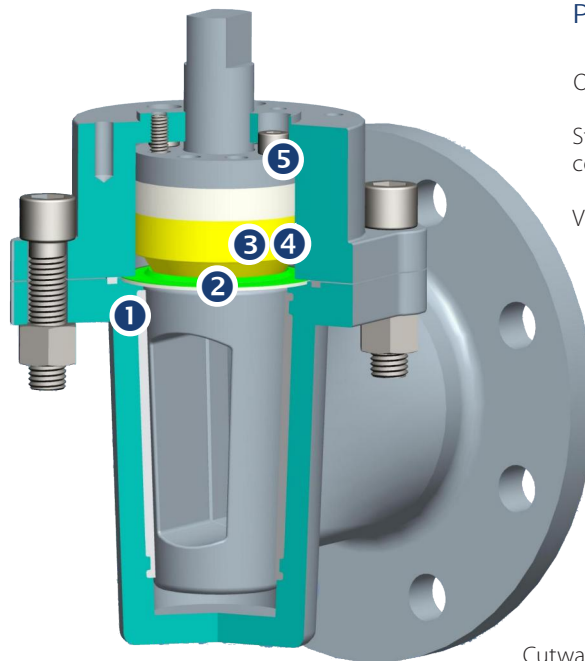
1. Primary Seal to Atmosphere

360° port lips and high pressure ribs ensure the seat seal and primary seal to atmosphere. Plug is adjustable.

2. Secondary Seal to Atmosphere

Enabled wedge ring and plastic diaphragm design ensuring 2. protection to stem seal and body cover joint.

5. Packing adjustable if necessary



3. and 4. seal to atmosphere Patented live-loaded stem system

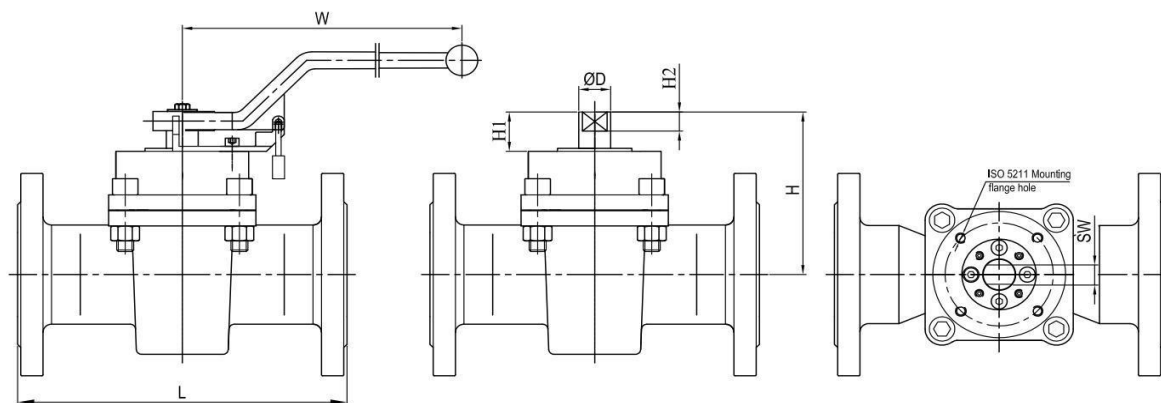
Optimizes sealing integrity to Atmosphere

Stem packing depending on operating conditions.

Various packing as PTFE PFA, Viton, Graphite

Cutway view on 5S

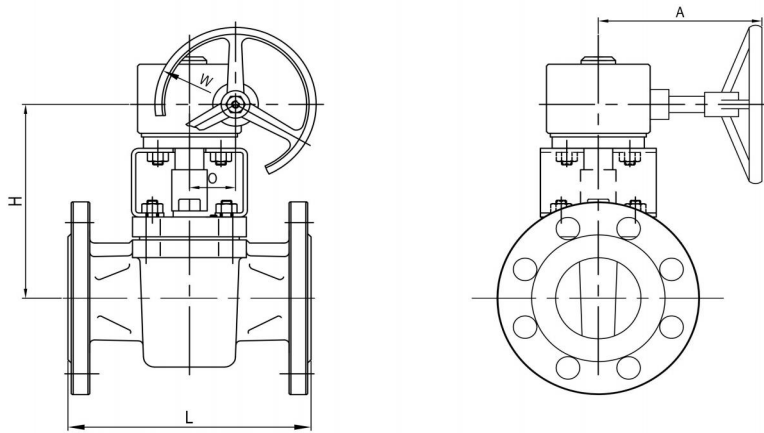
FLEU 5S Dimension list



Dimension list(mm)

PN16-40	100	350	550	170	F10	42	21	35.8	21	30
	80	310	480	161	F10	39	19	29.8	19	23.5
	50	230	480	147	F07	38	19	29.8	19	13
	40	200	390	135	F07	34	17	24	14	8.5
	25	160	285	122	F05	30	15	18	14	4.5
	20	150	200	105	F05	30	15	11.8	9	4
	15	130	200	105	F05	30	15	11.8	9	3.5
150 Lbs	4"	229	550	170	F10	42	21	35.8	21	25.5
	3"	203	480	161	F10	39	19	29.8	19	20
	2"	178	480	147	F07	38	19	29.8	19	11
	1 1/2"	165	390	135	F07	34	17	24	14	7.2
	1"	127	285	122	F05	30	15	18	14	3.8
	3/4"	117	200	105	F05	30	15	11.8	9	3.4
	1/2"	108	200	105	F05	30	15	11.8	9	3
300 Lbs	4"	305	550	170	F10	42	21	35.8	21	26.8
	3"	282	480	161	F10	39	19	29.8	19	21
	2"	216	480	147	F07	38	19	29.8	19	11.6
	1 1/2"	190	390	135	F07	34	17	24	14	7.6
	1"	165	285	122	F05	30	15	18	14	4
	3/4"	152	200	105	F05	30	15	11.8	9	3.6
	1/2"	140	200	105	F05	30	15	11.8	9	3.2
PN(Class)	DN(Size)	L	W	H _z	DIN EN ISO 5211	H1 _z	H2	D	SW	Weight(Kg)=
Stem end										

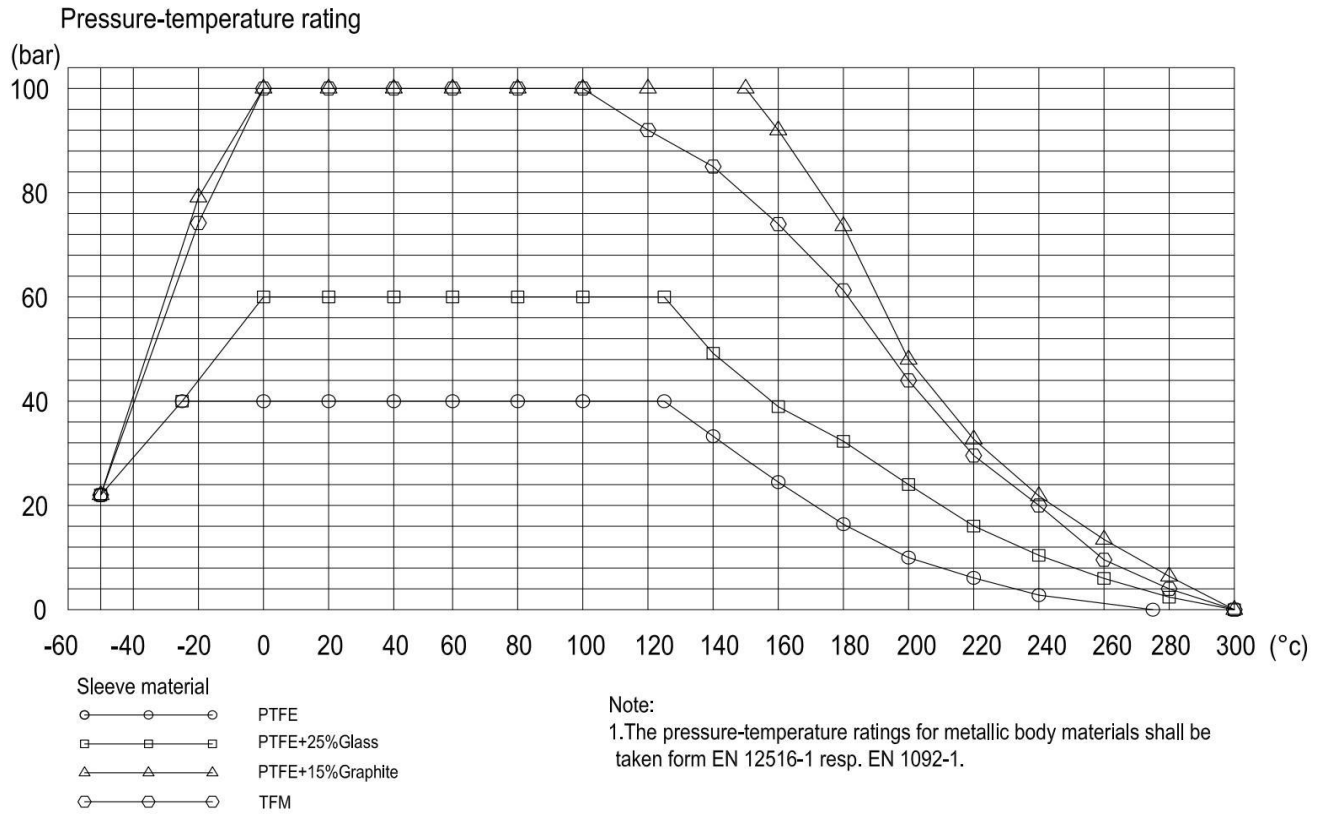
FLEU 5S Dimension list



Dimension list(mm)

PN16-40	600	508	500	1020	180	520	F30	625
	500	457	500	910	180	520	F30	405
	450	432	500	820	180	520	F30	320
	400	406	500	675	137.5	465	F25	255
	350	381	500	610	137.5	465	F25	185
	300	356	500	535	117.5	465	F16	125
	250	330	400	475	117.5	465	F16	88
	200	292	350	385	96.5	350	F16	65
	150	267	320	365	84	290	F12	48
	125	254	250	265	84	290	F12	22.5
150 Lbs	24"	1067	500	1020	180	520	F30	595
	20"	914	500	910	180	520	F30	395
	18"	864	500	820	180	520	F30	365
	16"	762	500	675	137.5	465	F25	340
	14"	686	500	610	137.5	465	F25	325
	12"	356	500	535	117.5	465	F16	305
	10"	330	400	475	117.5	465	F16	195
	8"	292	350	385	96.5	350	F16	115
	6"	267	320	365	84	290	F12	52
5"	254	250	265	84	290	F12	32	
300 Lbs	16"	838	500	675	137.5	465	F25	365
	14"	762	500	610	137.5	465	F25	355
	12"	502	500	535	117.5	465	F16	325
	10"	457	400	475	117.5	465	F16	255
	8"	418	350	385	96.5	350	F16	145
	6"	403	320	365	84	290	F12	65
5"	325	250	265	84	290	F12	40	
PN(Class)	DN(Size)	L	W	H	O	A	DIN EN ISO 5211	Weight(Kg)

FLEU 5S Pressure-temperature rating, Max. & opening torque



Max. torque & opening torque

Size DN	PTFE Sleeve			PTFE+25% Glass			PTFE+15% Graphite		
	Max.	10 Bar	40 Bar	Max.	10 Bar	40 Bar	Max.	10 Bar	40 Bar
15	120	33	33	120	40	40	120	40	40
20	120	33	33	120	40	40	120	40	40
25	180	60	60	180	70	70	180	70	70
40	260	95	95	260	110	110	260	110	110
50	600	150	150	600	180	180	600	180	180
80	600	220	220	600	260	260	600	260	260
100	900	280	280	900	330	330	900	330	330
125	1200	400	400	1200	460	460	1200	460	460
150	1600	630	630	1600	730	730	1600	730	730
200	2600	960	960	2600	1100	1100	2600	1100	1100
250	3400	1200	1200	3400	1380	1380	3400	1380	1380
300	5500	2080	2080	5500	2390	2390	5500	2390	2390
350	12000	4400	4400	12000	5060	5060	12000	5060	5060
400	12000	4400	4400	12000	5060	5060	12000	5060	5060
450	14000	5120	5120	14000	5890	5890	14000	5890	5890
500	17000	6000	6000	17000	6900	6900	17000	6900	6900
600	17000	6000	6000	17000	6900	6900	17000	6900	6900