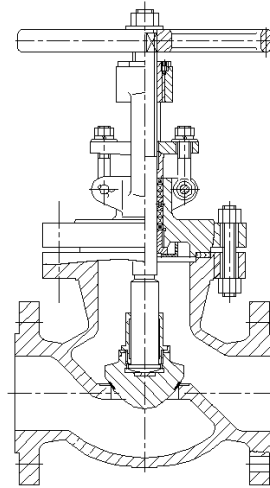


Class : 600LB to 2500LB
Design acc. : BS 1873
Face to face : ASME B16.10
Flange ends : ASME B16.5
Test and inspection : API 598
TA-Luft Packing
TA-Luft Gasket
Temperature range :
 -29°C~ +450°C (ASME A216 WCB)
Body : ASME A216 WCB



Available: Packing box spring loading system acc. to ISO 15848-1

Packing box spring loading
 system acc. to ISO
 15848-1(for 8" and larger)

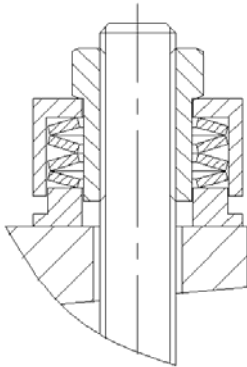


FIG : 140 141 142

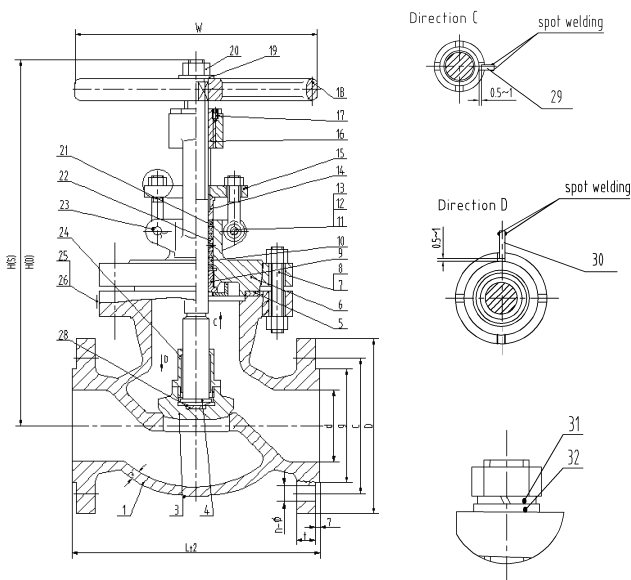


FIG.	Class	Material	Range
134.140	600LB	ASME A216 WCB	2"-3"
136.141	900LB	ASME A216 WCB	2"-3"
137.142	1500LB	ASME A216 WCB	2"-3"
138.142	2500LB	ASME A216 WCB	2"-3"

Design acc. : BS 1873
Face to face : ASME B16.10
Flange ends : ASME B16.5
Test and inspection : API 598
TA-Luft Packing
TA-Luft Gasket
Temperature range :
-29°C ~ +450°C

Material List

NO.	Part	Material
		FIG.134.140
1	Body	ASTM A216 WCB+13Cr
3	Disc	ASTM A105+STL6
4	Stem	ASTM A182 F6a CL3
5	Gasket	TA-Luft Gasket
6	Bonnet	ASTM A216 WCB
7	Stud	ASTM A193 B7
8	Nut	ASTM A194 2H
9	Backseat	ASTM A276 410
10	Packing	TA-Luft packing
11	Pin	ASTM A29 1035
12	Bolt	ASTM A193 B7
13	Nut	ASTM A194 2H
14	Gland Follower	ASTM A276 410
15	Gland flange	ASTM A29 1035
16	Stem nut	ASTM A439 D-2
17	Screw	ASTM A29 1035
18	Handwheel	ASTM A536 60-40-18
19	Washer	ASTM A36
20	Retaining nut	ASTM A29 1035
21	Packing	TA-Luft packing
22	Lantern	ASTM A276 410
23	Pin	ASTM A36
24	Dise Nut	ASTM A182 F6a CL1
25	Nameplate	ASTM A240 321
26	Rivet	ASTM A276 321
28	Thrust Plate	ASTM A276 420
29	Tabs	ASTM A105
30	Tabs	ASTM A105
31	Spring washer	ASTM A29 1566
32	Washer	ASTM A36

Dimension List

Class	DN	d	g	C	D	t	n-Φ	L	W	a	H(S)	H(O)	Weight(Kg)
600LB	2"	51	92	127	165	26	8-19	292	250	11.1	414.5	433	35.4
	3"	76	127	168	210	32	8-22	356	350	12.7	505.5	532	69.3

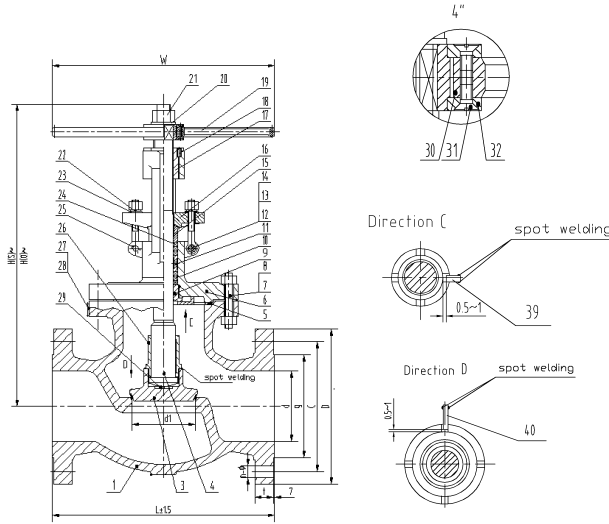


FIG.	Class	Material	Range
134.140	600LB	ASME A216 WCB	4"
136.141	900LB	ASME A216 WCB	4"
137.142	1500LB	ASME A216 WCB	4"
138.142	2500LB	ASME A216 WCB	4"

Design acc. : BS 1873
Face to face : ASME B16.10
Flange ends : ASME B16.5
Test and inspection : API 598
TA-Luft Packing
TA-Luft Gasket
Temperature range : -29°C~ +450°C

Material List

NO.	Part	Material
		FIG.134.140
1	Body	ASTM A216 WCB+13Cr
3	Disc	ASTM A105+STL6
4	Stem	ASTM A182 F6a CL3
5	Gasket	TA-Luft Gasket
6	Bonnet	ASTM A216 WCB
7	Stud	ASTM A193 B7
8	Nut	ASTM A194 2H
9	Backseat	ASTM A276 410
10	Packing	TA-Luft packing
11	Lantern	ASTM A276 410
12	Pin	ASTM A29 1035
13	Bolt	ASTM A193 B7
14	Nut	ASTM A194 2H
15	Gland Follower	ASTM A276 410
16	Gland flange	ASTM A216 WCB
17	Stem nut	ASTM A439 D-2
18	Screw	ASTM A29 1035
19	Impact Handwheel	ASTM A216 WCB
20	Washer	ASTM A36
21	Retaining nut	ASTM A29 1035
22	Washer	ASTM A36
23	Spring washer	ASTM A29 1566
24	Packing	TA-Luft packing
25	Pin	ASTM A36
26	Disc nut	ASTM A182 F6a CL1
27	Nameplate	ASTM A240 321
28	Rivet	ASTM A276 321
29	Thrust Plate	ASTM A276 420
30	Impact Bushing	ASTM A29 1045
31	Screw	ASTM A29 1035
32	Handwheel Cover	ASTM A36
39	Tabs	ASTM A105
40	Tabs	ASTM A105

Dimension List

Class	DN	d	g	C	D	t	n-Φ	L	W	a	H(S)	H(O)	Weight(Kg)
600LB	4"	102	157	216	273	38.1	8-25	432	400	15.9	578	611.5	114.3

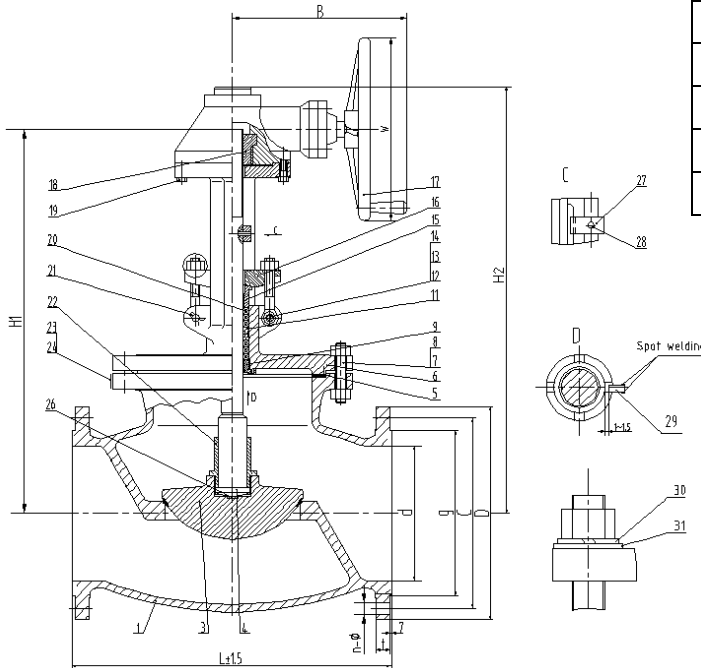


FIG.	Class	Material	Range
134.140	600LB	ASME A216 WCB	6"
136.141	900LB	ASME A216 WCB	6"
137.142	1500LB	ASME A216 WCB	6"
138.142	2500LB	ASME A216 WCB	6"

Design acc. : BS 1873
Face to face : ASME B16.10
Flange ends : ASME B16.5
Test and inspection : API 598
TA-Luft Packing
TA-Luft Gasket
Temperature range :
-29°C ~ +450°C

Material List

NO.	Part	Material
		FIG.134.140
1	Body	ASTM A216 WCB+13Cr
3	Disc	ASTM A105+STL6
4	Stem	ASTM A182 F6a CL3
5	Gasket	TA-Luft Gasket
6	Bonnet	ASTM A216 WCB
7	Stud	ASTM A193 B7
8	Nut	ASTM A194 2H
9	Backseat	ASTM A276 410
11	Lantern	ASTM A276 410
12	Pin	ASTM A29 1035
13	Bolt	ASTM A193 B7
14	Nut	ASTM A194 2H
15	Gland Follower	ASTM A276 410
16	Gland flange	ASTM A216 WCB
17	Gear box	
18	Stem nut	
19	Bolt	ASTM A193 B7
20	Packing	TA-Luft packing
21	Pin	ASTM A36
22	Disc nut	ASTM A182 F6a CL1
23	Nameplate	ASTM A240 321
24	Rivet	ASTM A276 321
26	Thrust Plate	ASTM A276 420
27	Guide plate	ASTM A29 1045
28	Pin	ASTM A29 4140
29	Tabs	ASTM A105
30	Spring washer	ASTM A29 1566
31	Washer	ASTM A36

Dimension List

Class	DN	d	g	C	D	t	n-Φ	L	W	B	H1	H2	Weight(Kg)
600LB	6"	152	215.9	292.1	355	47.7	12-29	559	460	328	726	787	294

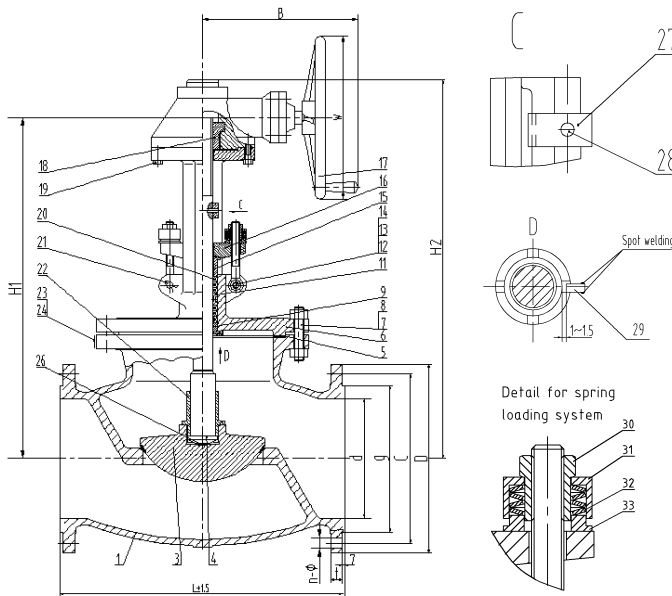


FIG.	Class	Material	Range
134.140	600LB	ASME A216 WCB	8"-12"
136.141	900LB	ASME A216 WCB	8"-12"
137.142	1500LB	ASME A216 WCB	8"-12"
138.142	2500LB	ASME A216 WCB	8"-12"

Design acc. : BS 1873
Face to face : ASME B16.10
Flange ends : ASME B16.5
Test and inspection : API 598
TA-Luft Packing
TA-Luft Gasket
Temperature range :
-29°C ~ +450°C

Material List

NO.	Part	Material
		FIG.134.140
1	Body	ASTM A216 WCB+13Cr
3	Disc	ASTM A105+STL6
4	Stem	ASTM A182 F6a CL3
5	Gasket	TA-Luft Gasket
6	Bonnet	ASTM A216 WCB
7	Stud	ASTM A193 B7
8	Nut	ASTM A194 2H
9	Backseat	ASTM A276 410
11	Lantern	ASTM A276 410
12	Pin	ASTM A29 1035
13	Bolt	ASTM A193 B7
14	Nut	ASTM A194 2H
15	Gland Follower	ASTM A276 410
16	Gland flange	ASTM A216 WCB
17	Gear box	
18	Stem nut	
19	Bolt	ASTM A193 B7
20	Packing	TA-Luft packing
21	Pin	ASTM A36
22	Disc nut	ASTM A182 F6a CL1
23	Nameplate	ASTM A240 321
24	Rivet	ASTM A276 321
26	Thrust Plate	ASTM A276 420
27	Guide plate	ASTM A29 1045
28	Pin	ASTM A29 4140
29	Tabs	ASTM A105
30	Nut	ASTM A276 420
31	Cover	ASTM A276 420
32	Spring	51CrV4
33	Gasket	ASTM A276 420

Dimension List

Class	DN	d	g	C	D	t	n-Φ	L	W	B	H1	H2	Weight(Kg)
600LB	8"	200	269.9	349.2	420	55.6	12-32	660	710	592	864	937	516.5
	10"	248	323.8	431.8	510	63.5	16-35	787	610	566	1036	1184	939.9
	12"	298	381.0	489.0	560	66.7	20-35	838	810	566	1115	1263	1142.2