

DIN Bellows seal globe valve for the containment and isolation of hazardous liquids and gases

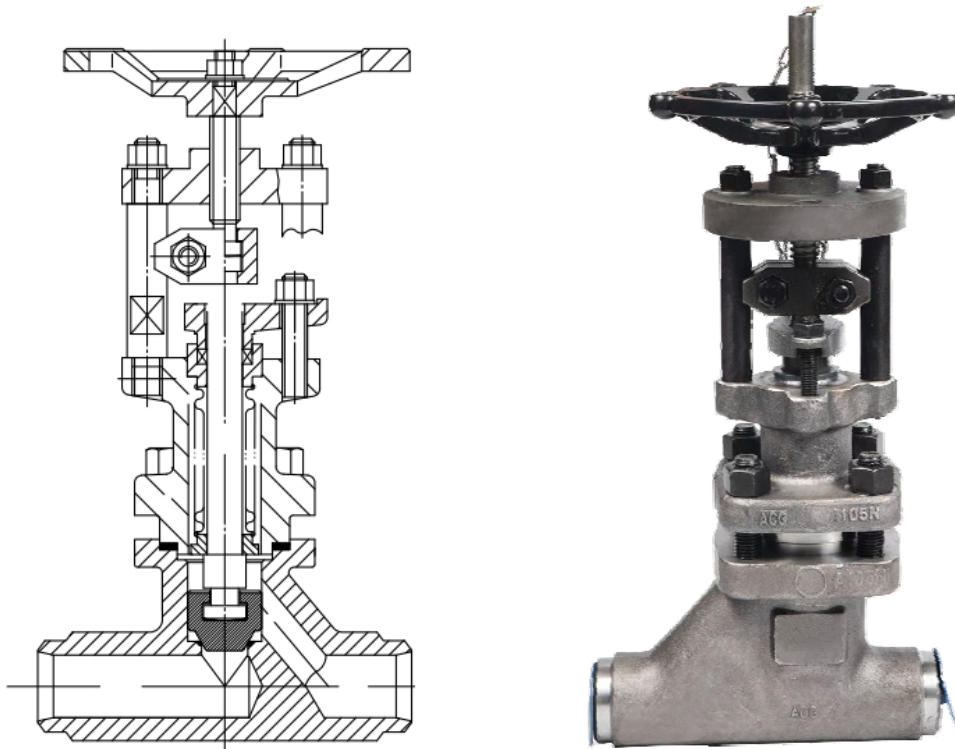
Fig.117

DN15-DN50

PN16,PN25,PN40

Body 1.0460(A105N) / 1.4401(A182 F316) for DN15-50

10 000 cycles 1.4571 Witzmann bellows



### Design features

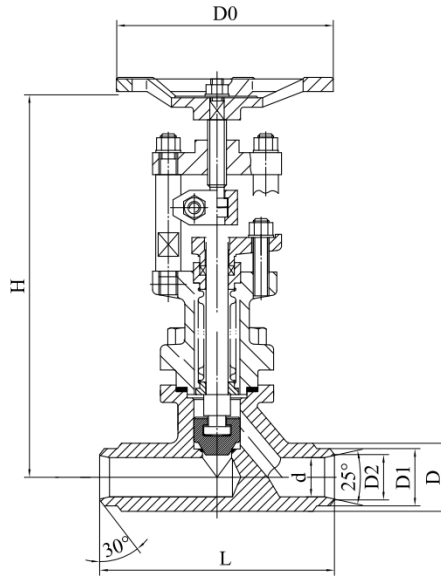
- Straight type,seat hardfaced ,conical plug
- Bellows protected in extended bonnet or by protecting plate against direct impingement from product flow
- Multiple walls and hydroformed Witzmann bellows,and 10 000 cycles operations guaranteed
- two-piece stem protects the bellows against torque stress
- design eliminates stem bearings along with their maintenance needs
- Fire safe per EN ISO 10497 applicable
- Fugitive emissions test per EN ISO 15848 applicable

### Applications

Fig.117 is design guarantees reliable and excellent protections against leaks and fugitive emissions.The stem seal requires virtually no maintenance due to leak free weld connections of the bellows with bonnet and stem.

The valve is designed for critical service applications involving lethal,toxic,corrosive,inflammable,volatile,radiating,or expensive fluids.

Bellows seal globe valve PN16-40  
 Design acc. to EN13709  
 ETE dimension acc. to EN 558-1  
 BW ends acc. to DIN3239  
 Standard test acc. to EN 12266 / ISO 5208



**Material List**

Component	C.S.	S.S.
Body / Bonnet	1.0460	1.4401
Body seat	1.4370 / 1.4551	1.4401 / Stellite 21
Disc	1.4021 QT	1.4401
Disc seat	1.4021 QT	Stellite 21 / Stellite6
Lower stem/Upper stem	1.4021	1.4401
Bellows	1.4571	1.4571
Bolts	1.7225(GC) / A2-70	A2-70 / A4-70
Nuts	1.1181(YK) / A2	A2 / A4

**Dimension List**

	Material	PN	DN	L	D	D1	D2	d	H	D0
143.117-BW	1.0460	16 / 25 / 40	15	108	32	22	17	15	306	148
144.117-BW			20	117	32	28	22	20	306	148
145.117-BW			25	127	38	34	28	25	310	148
233.117-BW	1.4401		32	140	60	43	37	32	420	196
234.117-BW			40	165	60	49	43	40	420	196
235.117-BW			50	203	70	61	54	50	432	196