

Compact Ball valve
Soft seal ball valve
Floating ball
Flange
PN16-40
DN15-100

Range of application:

In industrial facilities, oil and chemical industry and related manufacturing industries

Temperature range:

Max. working temperature :

- 29°C to +200°C (carbon steel)
- 50°C to +200°C (stainless steel)
- 196°C acc. to requirement

Perform standard:

Design:split body with full bore round port , floating ball.
 acc. DIN 3357 .

Design minimum wall thickness calculation acc. : EN12516-1 .

Face to face : DIN 558-1; Flange ends : DIN EN 1092-1.

Operating:with a two flat stem acc to the
 NAMUR-recommends.

90° -rotary switch

Actuator mounting: mounting flange acc. to DIN ISO 5211
 for gear box , air- , electric-or hydraulic pattern actuator .

Fire test : API 607 & BS 6755 .

TA-Luft 2002 10000 cycles RT.

TA-Luft acc. to ISO 15848-1 CO2 RT-200°C.

ISO 15848-1 FE BH CO2 t200°C.

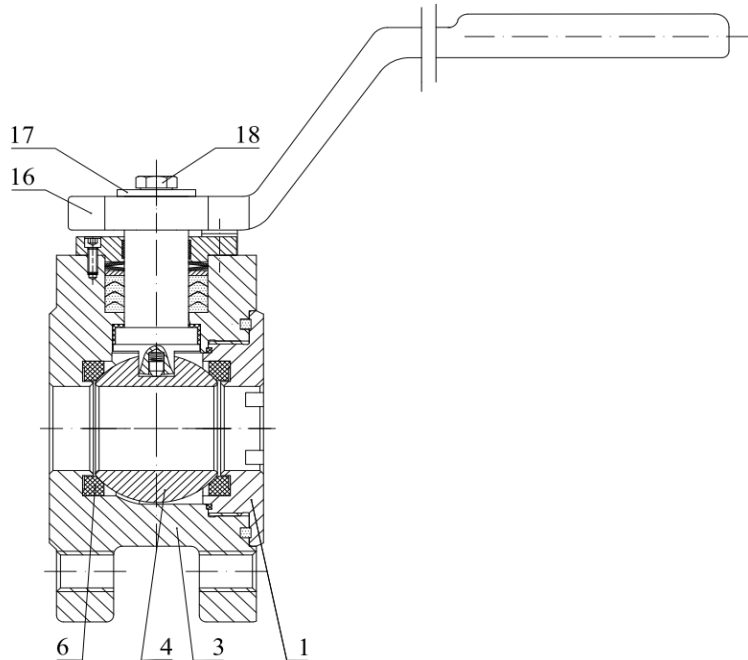
Antistatic device acc.: BS 5351 .

Preloaded belleville spring design for stem sealing system,
 offers the possibility of adjustment of the sealing.

Material [according DIN EN (DIN)]

- Body: —1.0619N,1.0619QT
 —1.4408,1.4409,1.4539,1.4470
- Ball: —1.4301
 —1.4401
 —1.4404
- Body Seal: PTFE /Graphite
- Seat: PTFE / RPTFE /TFM1600 / VX1
 /PEEK / PCTFE

FIG.	Pressure	Material	RANGE
133.764	PN16	1.0619	DN15-DN100
135.764	PN40	1.0619	DN15-DN100
153.764	PN16	1.4408	DN15-DN100
155.764	PN40	1.4408	DN15-DN100

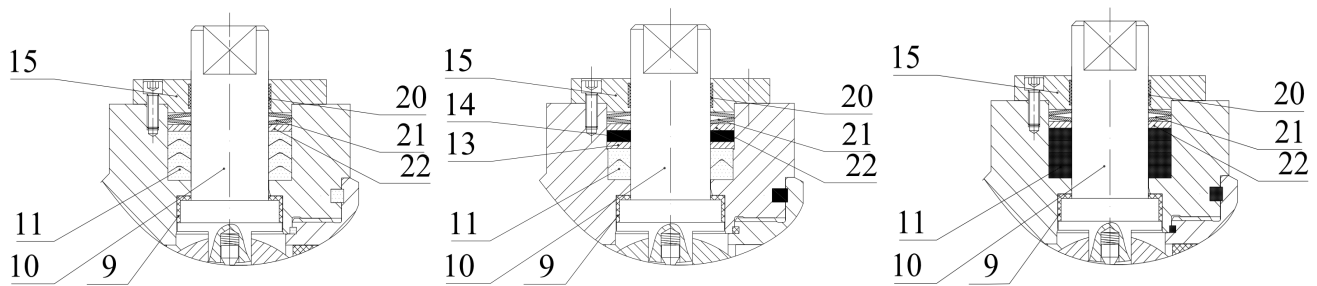


Ball valve with full bore and Flange .

Material list

NO.	Part	Material	
		FIG. 153.764/155.764	FIG. 133.764/135.764
1	Adapter	1.4408	1.0619
3	Body	1.4408	1.0619
4	Ball	1.4401	1.4301
6	Seat	PTFE/RPTFE/TFM 1600/VX1/ PEEK /PCTFE	PTFE/RPTFE/TFM 1600/VX1/ PEEK /PCTFE
16	Lever	1.4308	GGG 40.3
17	Gasket	1.4301	1.4301
18	Bolts	A2-70	35

Stuffing box type

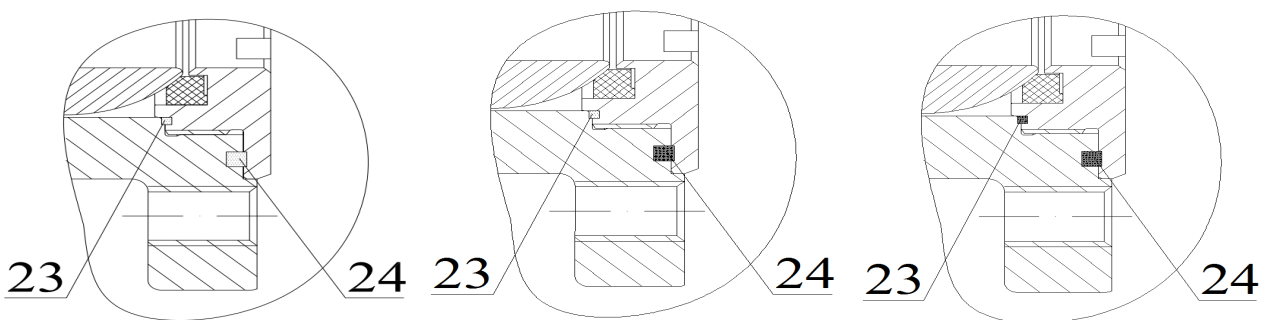


GP(Gland, PTFE)

GPG(Gland, PTFE+Graphite)

GG(Gland, Graphite)

Body sealing type



For GP

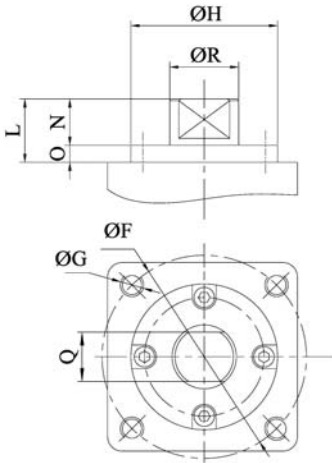
For GPG

For GG

Material list

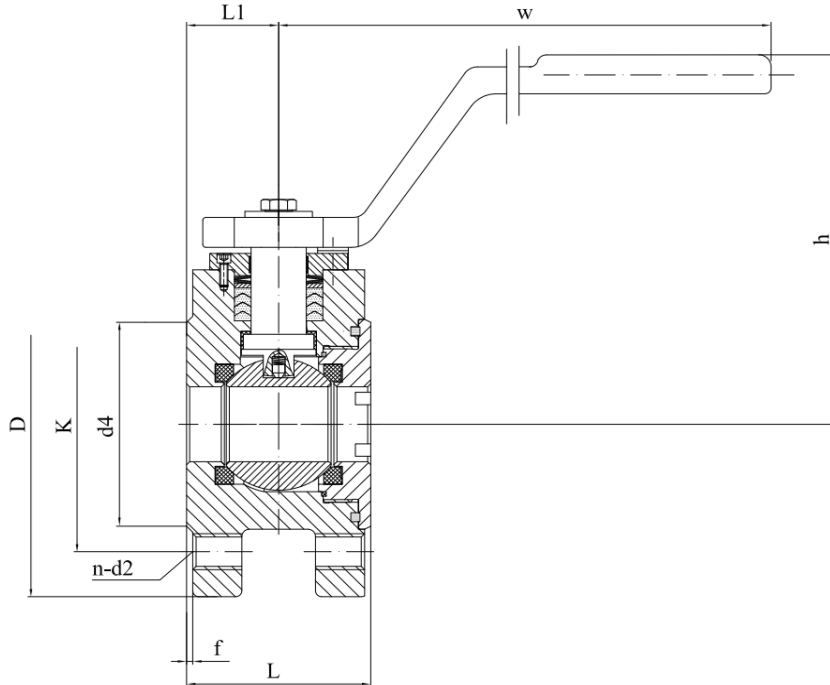
NO.	Part	Material		
		FIG. 764 GP	FIG. 764 GPG	FIG.764 GG
9	Thrust bearing	PTFE+25%glass		
10	Stem	17-4PH /1.4462/1.4571/ 1.4401		
11	Packing	PTFE	PTFE	Graphite
13	Metal-ring		1.4401	
14	Packing		Graphite	
15	Gland	1.4401/C22.8		
20	Bearing	PTFE+30%C		
21	Belleville spring	17-7PH		
22	Metal-ring	1.4401		
23	Body seal	PTFE	PTFE	Graphite
24	Body seal	PTFE	Graphite	Graphite

Dimension List



DN	15	20	25	32	40	50	65	80	100
ΦF	50	50	50	50	70	70	70	102	102
ΦG	M6	M6	M6	M6	M8	M8	M8	M10	M10
ΦH	35	35	35	35	55	55	55	70	70
L	19.5	25.6	34.5	34.5	38	38	44	50	50
O	10.7	12.8	20.7	20.7	23.8	23.8	30.3	32.8	32.8
N	8.8	12.8	13.8	13.8	14.2	14.2	13.7	17.2	17.2
Q	11	11	14	14	17	17	17	19	19
ΦR	14	14	18	18	22	22	22	26	30
S	2	2	2	2	3	3	3	3	3
ISO5211	F05	F05	F05	F05	F07	F07	F07	F10	F10

FIG.	Pressure	Material	RANGE
133.764	PN16	1.0619	DN15-DN100
135.764	PN40	1.0619	DN15-DN100
153.764	PN16	1.4408	DN15-DN100
155.764	PN40	1.4408	DN15-DN100



Ball valve with full bore and Flange . Flange end: DIN EN 1092-1 Form B ; Face to face: EN 558-1 .

Dimension List

PN	DN	dL	L	l ₁	D	K	n-d2	d4×f	Weight
16(40)	15	Φ 15	50	25	Φ 95	Φ 65	4-M12	Φ 45x2	1.8
	25	Φ 25	60	30	Φ 115	Φ 85	4-M12	Φ 68x2	3.4
	40	Φ 40	80	40	Φ 150	Φ 110	4-M16	Φ 88x2	6.8
	50	Φ 50	95	47.5	Φ 165	Φ 125	4-M16	Φ 102x3	9.6
16	65	Φ 65	110	55	Φ 185	Φ 145	4-M16	Φ 122x3	—
	80	Φ 80	145	72.5	Φ 200	Φ 160	8-M16	Φ 138x3	—
	100	Φ 100	170	85	Φ 220	Φ 180	8-M16	Φ 158x3	—
40	65	Φ 65	110	55	Φ 185	Φ 145	8-M16	Φ 122x3	—
	80	Φ 80	145	72.5	Φ 200	Φ 160	8-M16	Φ 138x3	—
	100	Φ 100	170	85	Φ 235	Φ 190	8-M20	Φ 162x3	—

Connecting format

Flanged		
Pressure rating	Flange dimension	Sealing form
PN16 PN40	DIN EN 1092-1	DIN EN 1092-1 Form B 1 Ra max : 12.5 µm Rz max : 50 µm

Installation instructions

Installation site is not prescribed.
Regardless of the flow direction.

Technical parameters

Flow characteristics - Kv (m³/h)

DN	15	20	25	32	40	50	65	80	100
Kv	12	23	60	72	175	360	620	930	1900

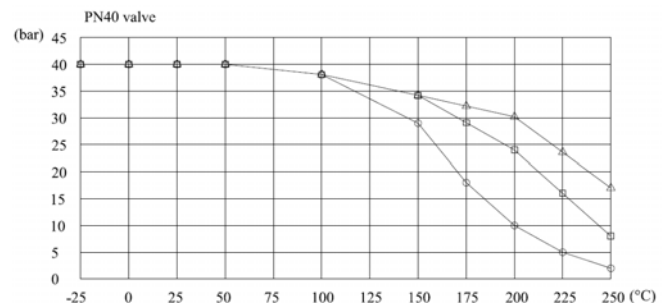
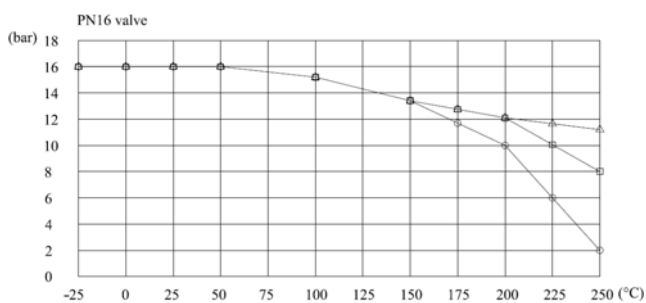
Open torque - Nm

ΔP (bar)	DN								
	15	20	25	32	40	50	65	80	100
0	3	3.5	6	9	14	17	39	59	75
10	4	6	10	15	24	27	55	80	105
16	5	8	16	21	31	36	70	100	132
25	7	11	20	30	39	55	95	130	180
40	9	15	26	41	50	72	130	190	265

Maximum and minimum

DN	15	20	25	32	40	50	65	80	100
Md max	50	50	336	336	600	600	600	1000	1000
Md min	2	2	3	5	8	9	21	32	41

Allowable pressure in dependence of the temperature



Seat material:

○—○—○ PTFE □—□—□ PTFE+25%Glass △—△—△ PTFE+15%Graphite

The shown values refer to austenitic stainless steel 1.4408. More details please consult.