

3-piece Ball valve
Soft seal
FLG/BSP/BW/TC
PN16-40
DN10-150

Range of application:

In industrial facilities, oil and chemical industry and related manufacturing industries

Temperature range:

Max. working temperature :
 -29°C to +260°C (carbon steel)
 -50°C to +260°C (stainless steel)
 -196°C acc. to requirement

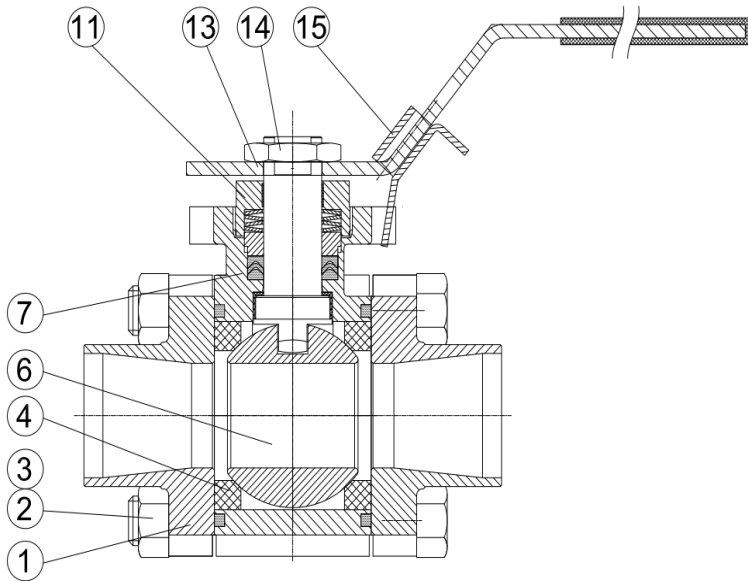
Perform standard:

Design: split body with full bore round port , floating ball.
 acc. DIN 3357 .
 Design minimum wall thickness calculation acc. : EN12516-1 .
 Face to face : DIN 558-1; FIG/BSP /BW/Tri-clamp ends
 Operating: with a two flat stem acc to the NAMUR-recommends.
 90° -rotary switch
 Actuator mounting: mounting flange acc. to DIN ISO 5211
 for gear box , air- , electric-or hydraulic pattern actuator .
 Fire test : API 607 & BS 6755 .
 TA-Luft 2002 10000 cycles RT.
 TA-Luft acc. to ISO 15848-1 CO2 RT-200°C.
 ISO 15848-1 FE BH CO2 t200°C.
 Antistatic device acc.: BS 5351 .
 Preloaded belleville spring design for stem sealing system,
 offers the possibility of adjustment of the sealing.
 Optional: Ball with relief bore on pressure side (requires unidirectional installation)

Material [according DIN EN (DIN)]

Body: —1.0619N,1.0619QT
 —1.4408,1.4409,1.4539,1.4470
 Ball: —1.4301
 —1.4401
 —1.4404
 Body Seal: PTFE /Graphite
 Seat: PTFE / RPTFE /TFM1600 / VX1
 / PEEK /PCTFE

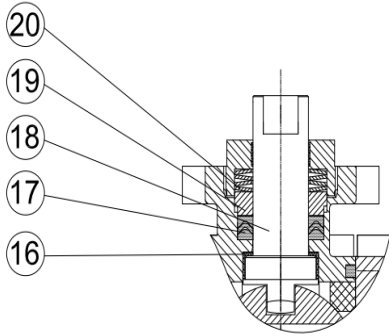
FIG.	Pressure	Material	RANGE
133.752	PN16	1.0619N	DN10-DN150
135.752	PN40	1.0619N	DN10-DN150
153.752	PN16	1.4408	DN10-DN150
155.752	PN40	1.4408	DN10-DN150



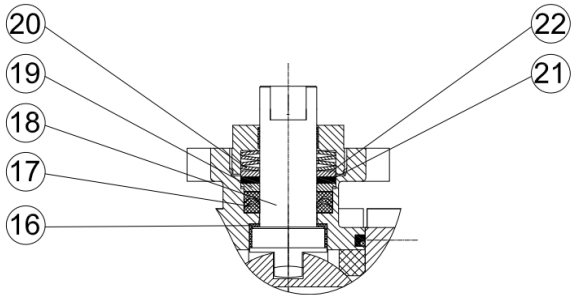
Material list

NO.	Part	Material	
		FIG. 153.752/ 155.752	FIG. 133.752/135.752
1	Adapter	1.4408	1.0619N
2	Bolt	A4-70/A2-70	1.7225
3	Nut	A4/A2	1.1181
4	Seat	PTFE/RPTFE/TFM 1600/VX1/ PEEK /PCTFE	PTFE/RPTFE/TFM 1600/VX1/ PEEK /PCTFE
6	Ball	1.4401	1.4301
7	Body	1.4408	1.0619N
11	Gland nut	1.4401	C22.8
13	Lever	1.4301	1.4301
14	Lock nut	A2	A2
15	Locking piece	1.4301	1.4301

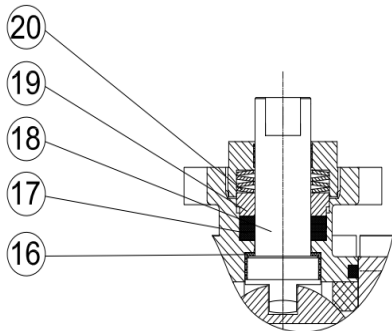
STUFFING BOX TYPE :



NP(Nut, PTFE)

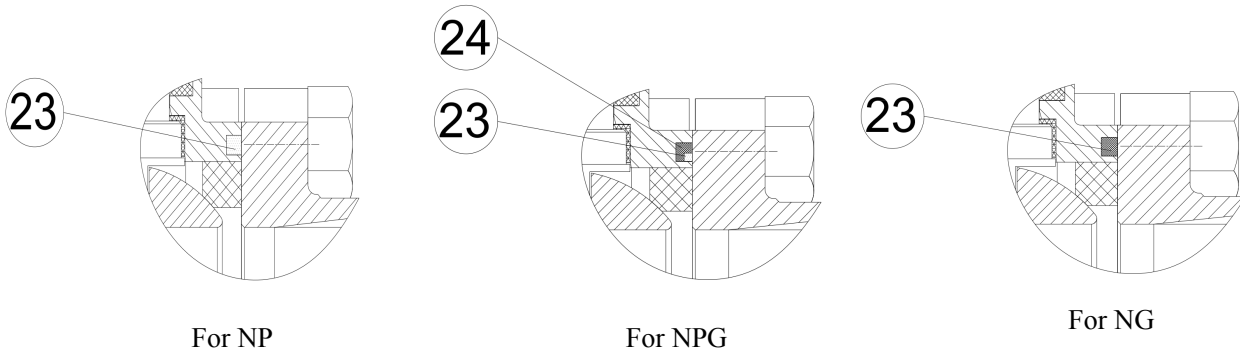


NPG(Nut, PTFE+Graphite)



NG(Nut, Graphite)

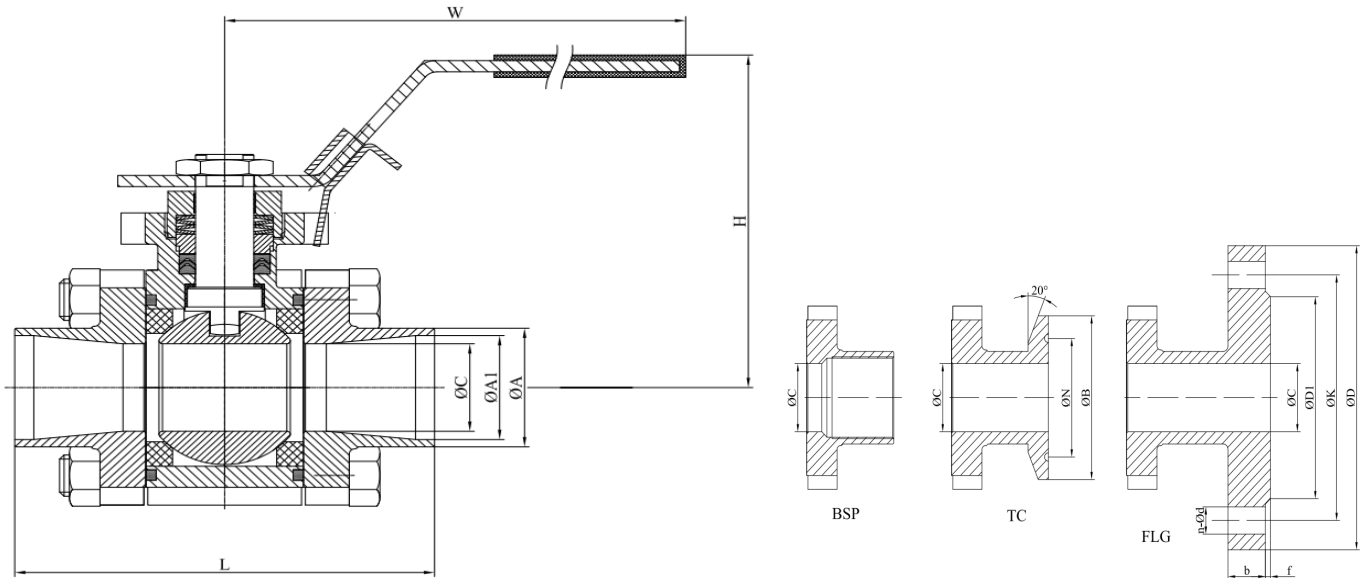
BODY SEALING TYPE :



Material list

NO.	Part	Material		
		Fig.752 NP	Fig.752 NPG	Fig.752 NG
16	Thrust bearing	PTFE+25%Glass		
17	Packing	PTFE	PTFE	Graphite
18	Stem	17-4PH/1.4462/1.4571/1.4401		
19	Metal ring	1.4401 / 1.4301		
20	Belleville spring	17-7PH		
21	Packing			Graphite
22	Metal ring	1.4401 / 1.4301		
23	Body seal	PTFE	PTFE	Graphite
24	Body seal		Graphite	

FIG.	Pressure	Material	RANGE
133.752	PN16	1.0619N	DN10-DN150
135.752	PN40	1.0619N	DN10-DN150
153.752	PN16	1.4408	DN10-DN150
155.752	PN40	1.4408	DN10-DN150



Dimension List

PN	DN	L(BSP)	L(BSP)	L(FLG)	L(TC)	ØC	ØA	ØA1	ØD	ØK	ØD1	b	f	n-Ød	ØN	ØB	H	W	ISO 5211	Torque (Nm)	
16	10	/	75	130	93	10	17.2	14	/	/	/	/	/	/	20.2	25	76.6	140	F03/04	7	
	15	75	75	130	93	15	21.8	18.1	95	65	45	16	2	4-14	20.2	25	76.6	140	F03/04	7.5	
	20	/	90	150	105.2	20	27.1	23.7	105	75	58	18	2	4-14	20.3	25	81.7	140	F03/04	13.5	
	25	/	110	160	113.9	25	33.9	29.7	115	85	68	18	2	4-14	43.6	50.4	98.3	165	F04/05	20.5	
	32	/	115	180	/	32	42.5	38.4	140	100	78	18	2	4-18	43.6	50.4	101.6	165	F04/05	33	
	40	/	130	200	125	38	48.5	44.3	150	110	88	18	3	4-18	43.6	50.4	128	217	F05/07	42.5	
	50	/	143	230	146	50	60.4	56.3	165	125	102	18	3	4-18	56.3	63.9	137	217	F05/07	60.5	
	65	/	185	/	/	65	76.6	72.1	/	/	/	/	/	/	/	/	/	167.5	380	F07/10	104.5
	80	/	205	310	193	80	88.9	84.3	200	160	138	20	3	8-18	/	/	176.5	450	F07/10	145	
	100	/	/	310	/	100	/	/	220	180	158	20	3	8-18	/	/	192.5	450	F07/10	190	
	125	/	/	350	/	125	/	/	250	210	188	22	3	8-18	/	/	/	/		Gearbox recommended	
40	150	/	/	400	/	150	/	/	285	240	212	22	3	8-22	/	/	/	/		Gearbox recommended	
	65	/	185	/	/	65	76.6	72.1	/	/	/	/	/	/	/	/	167.5	380	F07/10	104.5	
	80	/	205	310	193	80	88.9	84.3	200	160	138	24	3	8-18	/	/	176.5	450	F07/10	145	
	100	/	/	310	/	100	/	/	235	190	162	24	3	8-22	/	/	192.5	450	F07/10	190	
	125	/	/	350	/	125	/	/	270	220	188	26	3	8-26	/	/	/	/		Gearbox recommended	
150	/	/	400	/	150	/	/	300	250	218	28	3	8-26	/	/	/	/		Gearbox recommended		

Connecting format

Flanged		
Pressure rating	Connection type	Reference standard
PN16 PN40	Flanged BSP screw BW Tri clamp end	DIN EN 1092-1 Form B 1 ISO 1127 DIN 32676

Installation instructions

Installation site is not prescribed.
Regardless of the flow direction.

Technical parameters

Flow characteristics - Kv (m³/h)

DN	10	15	20	25	32	40	50	65	80	100	150
Kv	7	12	23	60	72	175	360	620	930	1900	3500

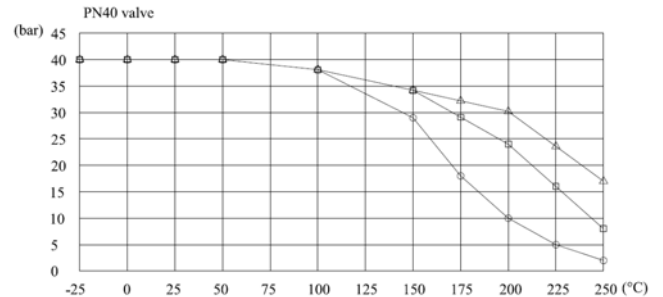
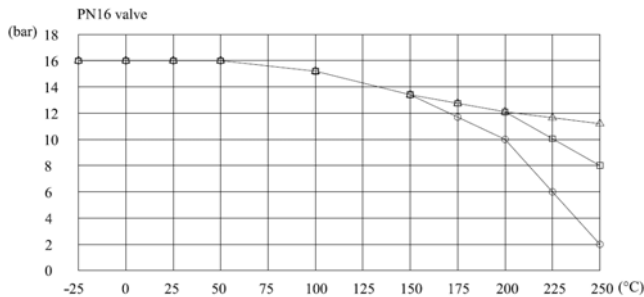
Open torque - Nm

ΔP (bar)	DN										
	10	15	20	25	32	40	50	65	80	100	150
0	3	3	3.5	6	9	14	17	39	59	75	130
10	4	4	6	10	15	24	27	55	80	105	220
16	5	5	8	16	21	31	36	70	100	132	306
25	7	7	11	20	30	39	55	95	130	180	500
40	8	9	15	26	41	50	72	130	190	265	670

Maximum and minimum

DN	15	15	20	25	32	40	50	65	80	100	150
M _{d max}	45	50	50	336	336	600	600	600	1000	1000	3500
M _{d min}	2	2	2	3	5	8	9	21	32	41	70

Allowable pressure in dependence of the temperature



Seat material:

○ — ○ — ○ PTFE □ — □ — □ PTFE+25%Glass △ — △ — △ PTFE+15%Graphite

The shown values refer to austenitic stainless steel 1.4408. More details please consult.