

Design acc. :
AD 2000 A4, ATEX 2014/34/EU, EN 1984.
Face to face : EN558-1 Ser.14
Flange end : EN1092-1.
Test acc. : EN12266-1.
TA-Luft Gasket
TA-Luft Packing
Temperature range :
-29°C~ +425°C(1.0619N)
-196°C~ +600°C(1.4408)
Body : 1.0619N / 1.4408

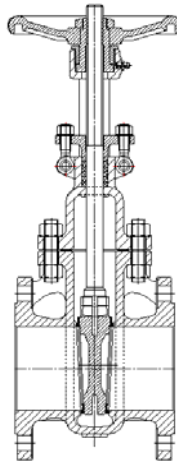
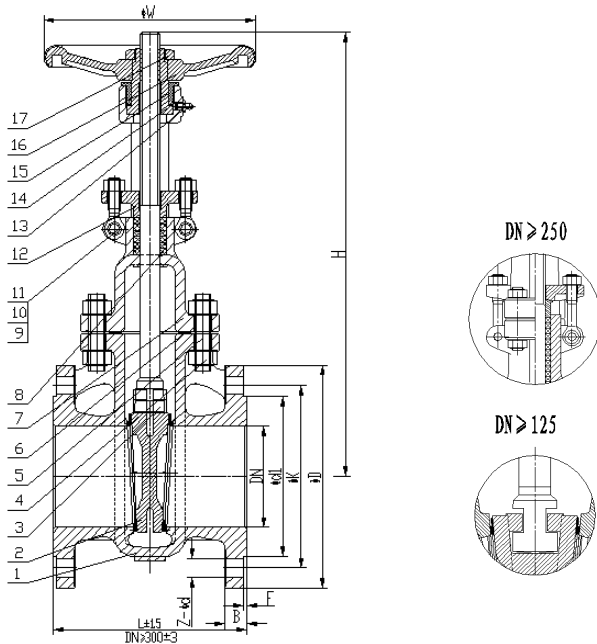


FIG :XXX.052

Page 1-2

FIG : 052



| FIG. | Pressure | Material | Range |
|---------|----------|----------|------------|
| 132.052 | PN10 | 1.0619N | DN40-DN600 |
| 152.052 | PN10 | 1.4408 | DN40-DN600 |

Design and manufacture acc. :

AD 2000 A4

ATEX 2014/34/EU

EN 1984.

Face to face : EN558-1 Ser.14

Flange end : EN1092-1.

Test acc. : EN12266-1.

TA-Luft Gasket & Packing

Temperature range :

-29°C ~ +425°C (1.0619N)

-196°C ~ +600°C (1.4408)

Material list

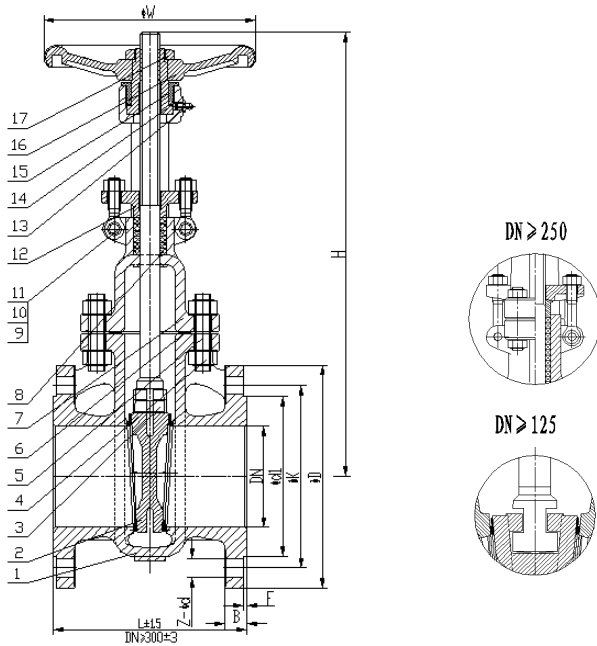
| NO. | Part | Material | |
|-----|--------------|-------------------|-----------------|
| | | FIG. 132.052 | FIG.152.052 |
| 1 | Body | 1.0619+13Cr | 1.4408 |
| 2 | Wedge | 1.0619+13Cr | 1.4408 |
| 3 | Stem | 1.4021 | 1.4401 |
| 4 | Bonnet nut | YK | A4-70 /A2-70 |
| 5 | Bonnet bolt | G | A4-70 /A2-70 |
| 6 | Gasket | SS304+graphite | TA-Luft gasket |
| 7 | Bonnet | 1.0619 | 1.4408 |
| 8 | Packing | Flexible graphite | TA-Luft Packing |
| 9 | Eye bolt | G | A4-70 /A2-70 |
| 10 | Pin | 13Cr | Stainless steel |
| 11 | Nut | YK | A4-70/A2-70 |
| 12 | Gland flange | 1.0619 | 1.4408 |
| 13 | Oil filler | Copper | Copper |
| 14 | Stem nut | Copper alloy | Copper alloy |
| 15 | Gland nut | 1.0460 | 1.4401 |
| 16 | Handwheel | Carbon steel | Carbon steel |
| 17 | Lock nut | 1.0460 | 1.4301 |

Dimension List

| PN | DN | L | D | K | d1 | F | B | Z-Φd | H(OPEN) | W | Weight (kg) |
|-----|-----|-----|-----|-----|-----|----|--------|--------|---------|-----|-------------|
| 10 | 40 | 140 | 150 | 110 | 88 | 3 | 18 | 4-Φ18 | 311 | 160 | 11 |
| | 50 | 150 | 165 | 125 | 102 | 3 | 18 | 4-Φ18 | 342 | 180 | 13 |
| | 65 | 170 | 185 | 145 | 122 | 3 | 18 | 8-Φ18 | 422 | 180 | 18 |
| | 80 | 180 | 200 | 160 | 138 | 3 | 20 | 8-Φ18 | 482 | 200 | 25 |
| | 100 | 190 | 220 | 180 | 158 | 3 | 20 | 8-Φ18 | 568 | 200 | 34 |
| | 125 | 200 | 250 | 210 | 188 | 3 | 22 | 8-Φ18 | 658 | 250 | 43 |
| | 150 | 210 | 285 | 240 | 212 | 3 | 22 | 8-Φ22 | 743 | 300 | 54 |
| | 200 | 230 | 340 | 295 | 268 | 3 | 24 | 8-Φ22 | 955 | 350 | 83 |
| | 250 | 250 | 395 | 350 | 320 | 3 | 26 | 12-Φ22 | 1130 | 400 | 155 |
| | 300 | 270 | 445 | 400 | 370 | 4 | 26 | 12-Φ22 | 1352 | 450 | 220 |
| | 350 | 290 | 505 | 460 | 430 | 4 | 26 | 16-Φ22 | 1500 | 500 | 240 |
| | 400 | 310 | 565 | 515 | 482 | 4 | 26 | 16-Φ26 | 1707 | 600 | 290 |
| | 450 | 330 | 615 | 565 | 532 | 4 | 28 | 20-Φ26 | 1840 | 600 | 495 |
| | 500 | 350 | 670 | 620 | 585 | 4 | 28 | 20-Φ26 | 2047 | 700 | 600 |
| 600 | 390 | 780 | 725 | 685 | 5 | 34 | 20-Φ30 | 3045 | 700 | 790 | |

Edit: FengChunyan Checking: WangHuanyu
Schneeberg Union Flow Technic GmbH

Approved: ZWS Date: 17.Aug.2020
[Http://www.schneeberg-armaturen.com/](http://www.schneeberg-armaturen.com/)



| FIG. | Pressure | Material | Range |
|---------|----------|----------|------------|
| 133.052 | PN16 | 1.0619N | DN40-DN600 |
| 153.052 | PN16 | 1.4408 | DN40-DN600 |

**Design and manufacture acc. :
AD 2000 A4**

ATEX 2014/34/EU

EN 1984.

Face to face : EN558-1 Ser.14

Flange end : EN1092-1.

Test acc. : EN12266-1.

TA-Luft Packing & pGasket

Temperature range :

-29°C ~ +425°C (1.0619N)

-196°C ~ +600°C (1.4408)

Material list

| NO. | Part | Material | |
|-----|--------------|-------------------|-----------------|
| | | FIG.133.052 | FIG.153.052 |
| 1 | Body | 1.0619+13Cr | 1.4408 |
| 2 | Wedge | 1.0619+13Cr | 1.4408 |
| 3 | Stem | 1.4021 | 1.4401 |
| 4 | Bonnet nut | YK | A4-70/A2-70 |
| 5 | Bonnet bolt | G | A4-70/A2-70 |
| 6 | Gasket | SS304+Graphite | TA-Luft gasket |
| 7 | Bonnet | 1.0619 | 1.4408 |
| 8 | Packing | Flexible graphite | TA-Luft Packing |
| 9 | Eye bolt | G | A4-70/A2-70 |
| 10 | Pin | 13Cr | Stainless steel |
| 11 | Nut | YK | A4-70/A2-70 |
| 12 | Gland flange | 1.0619 | 1.4408 |
| 13 | Oil filler | Copper | Copper |
| 14 | Stem nut | Copper alloy | Copper alloy |
| 15 | Gland nut | 1.0460 | 1.4401 |
| 16 | Handwheel | Carbon steel | Carbon steel |
| 17 | Lock nut | 1.0460 | 1.4301 |

Dimension List

| PN | DN | L | D | K | d1 | F | B | Z-Φd | H(OPEN) | W | Weight(kg) |
|-----|-----|-----|-----|-----|-----|----|--------|--------|---------|-----|------------|
| 16 | 40 | 140 | 150 | 110 | 88 | 3 | 18 | 4-Φ18 | 311 | 160 | 11 |
| | 50 | 150 | 165 | 125 | 102 | 3 | 18 | 4-Φ18 | 342 | 180 | 13 |
| | 65 | 170 | 185 | 145 | 122 | 3 | 18 | 8-Φ18 | 422 | 180 | 18 |
| | 80 | 180 | 200 | 160 | 138 | 3 | 20 | 8-Φ18 | 482 | 200 | 25 |
| | 100 | 190 | 220 | 180 | 158 | 3 | 20 | 8-Φ18 | 568 | 200 | 34 |
| | 125 | 200 | 250 | 210 | 188 | 3 | 22 | 8-Φ18 | 658 | 250 | 43 |
| | 150 | 210 | 285 | 240 | 212 | 3 | 22 | 8-Φ22 | 743 | 300 | 54 |
| | 200 | 230 | 340 | 295 | 268 | 3 | 24 | 12-Φ22 | 955 | 350 | 83 |
| | 250 | 250 | 405 | 355 | 320 | 3 | 26 | 12-Φ26 | 1130 | 400 | 160 |
| | 300 | 270 | 460 | 410 | 378 | 4 | 28 | 12-Φ26 | 1352 | 450 | 227 |
| | 350 | 290 | 520 | 470 | 438 | 4 | 30 | 16-Φ26 | 1500 | 500 | 250 |
| | 400 | 310 | 580 | 525 | 490 | 4 | 32 | 16-Φ30 | 1707 | 600 | 304 |
| | 450 | 330 | 640 | 585 | 550 | 4 | 34 | 20-Φ30 | 1840 | 600 | 514 |
| | 500 | 350 | 715 | 650 | 610 | 4 | 36 | 20-Φ33 | 2047 | 700 | 625 |
| 600 | 390 | 840 | 770 | 725 | 5 | 40 | 20-Φ36 | 3045 | 700 | 822 | |

Edit: FengChunyan Checking: WangHuanyu
Schneeberg Union Flow Technic GmbH

Approved: ZWS Date: 17.Aug.2020
[Http://www.schneeberg-armaturen.com/](http://www.schneeberg-armaturen.com/)