

Design acc. : AD 2000 A4, ATEX 2014/34/EU, EN 1984.

Face to face : EN558-1 Ser.15/Ser.26

BW ends : DIN 3239.

Actuator conn. flange: ISO 5210

Test acc. : EN12266.

TA-Luft Packing

TA-Luft Gasket

Temperature range :

-29°C~ +425°C(1.0619N)

-196°C~ +600°C(1.4408)

Body : 1.0619N /1.4408

Wall thickness for PN16 is the same as for PN25 valves

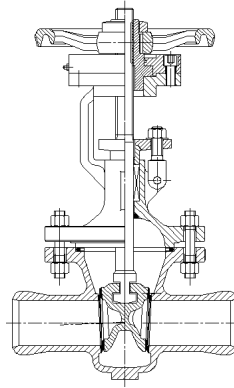


FIG : XXX.032 - BW

FIG : 032 - BW

Design acc. : AD 2000 A4, ATEX 2014/34/EU, EN 1984.

Face to face : EN558-1 Ser.15/Ser.26

BW ends : DIN 3239.

Actuator conn. flange: ISO 5210

Test acc. : EN12266.

TA-Luft Packing

TA-Luft Gasket

Temperature range :

-29°C~ +425°C(1.0619N)

-196°C~ +600°C(1.4408)

Body : 1.0619N /1.4408

Wall thickness for PN16 is the same as for PN25 valves

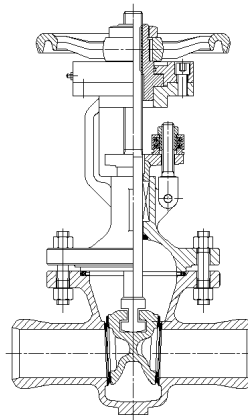
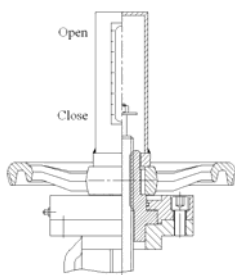


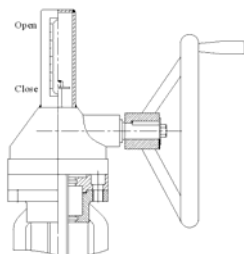
FIG : XXX.032 - BW + spring load system

Page 6 - 10 FIG : 032 - BW + spring load system

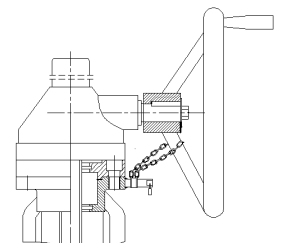
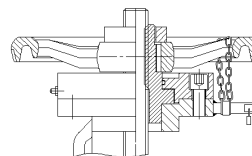
Available



Position indicator



Locking device



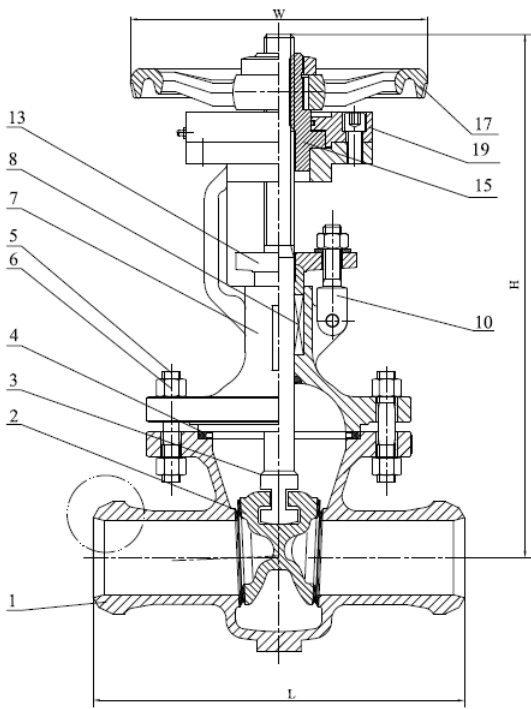
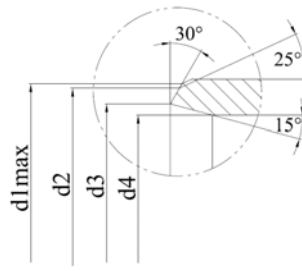


FIG.	Pressure	Material	Range
133.032-BW	PN16	1.0619N	DN50-DN125
134.032-BW	PN25	1.0619N	DN50-DN125
153.032-BW	PN16	1.4408	DN50-DN125
154.032-BW	PN25	1.4408	DN50-DN125



Design and manufacture acc. :
AD 2000 A4
ATEX 2014/34/EU
EN 1984.
Face to face : EN558-1 Ser.15
BW ends : DIN 3239.
Actuator conn. flange: ISO 5210
Test acc. : EN 12266.
TA-Luft Packing & Gasket
Temperature range :
-29°C ~ +425°C (1.0619N)
-196°C ~ +600°C (1.4408)

Material list

NO.	Part	Material	
		FIG. 153.032 - BW / 154.032 - BW	FIG. 133.032 -BW /134.032 - BW
1	Body	1.4408 / 1.4408 + STL (>DN100)	1.0619N+13Cr
2	Wedge	1.4408	1.0619N+13Cr / 1.4006(≤DN100)
3	Stem	1.4401	1.4021
4	Body seal	TA-Luft Gasket	TA-Luft Gasket
5	Bolts	A4-70/A2-70	1.7225(GC)
6	Nut	A4-70/A2-70	1.1181(YK)
7	Bonnet	1.4408	1.0619N
8	Packing	TA-Luft Packing	TA-Luft Packing
10	Fork bolt	A4-70/A2-70	1.7225(GC)
13	Gland flange	1.4408	1.0619N
15	Stem nut	GGG 40.3	GGG 40.3
17	Handwheel	GGG 40.3	GGG 40.3
19	ISO-Flange	1.4401	C22.8

Dimension list

PN	DN	L	D1	d1max	d2	d3	d4	H	W	Stem	Torque (N.m)	Number of turn	Hub	WT. (KG)	FTF	
16	65	270	122	83	78	70	65	425	250	Tr24×5LH	40	17	85	32.9	Ser.15	
	80	280	138	96	91	82	80	420	250	Tr24×5LH	45	19	95	34.3		
	100	300	158	121	116	106	100	480	250	Tr26×5LH	50	23	115	49.9		
	125	325	188	147	142	131	125	590	350	Tr26×5LH	80	29	145	69.9		
25	65	270	122	83	78	70	65	425	250	Tr24×5LH	40	17	85	32.9		
	80	280	138	96	91	82	80	420	250	Tr24×5LH	45	19	95	34.8		
	100	300	162	121	116	106	100	500	250	Tr26×5LH	50	23	115	50		
	125	325	188	147	142	131	125	590	350	Tr26×5LH	80	29	145	69.9		
16/25	50	250	102	67	62	54	50	340	200	Tr20×4LH	35	15	60	23.1		

Note: The torque in the table does not contain safety factor.

Edit: FengChunyan
 Suzhou Fleu valve Co.Ltd
 No.767 Huagang Road

Checking: WangHuanyu
 Tel : 0086 512 63430669
 Fax : 0086 512 63409789

Approved: ZWS
 Date: 14.Jan.2022
 E-mail : szsales@fleu-valve.com
 http : //www.fleu-valve.com

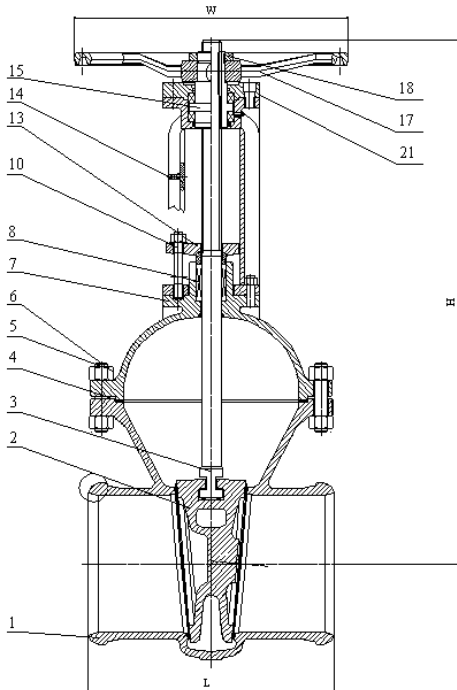


FIG.	Pressure	Material	Range
133.032-BW	PN16	1.0619N	DN150-DN500
153.032-BW	PN16	1.4408	DN150-DN500

Design and manufacture acc. :

AD 2000 A4

ATEX 2014/34/EU

EN 1984.

Face to face : EN558-1 Ser.15

BW ends : DIN 3239.

Actuator conn. flange: ISO 5210

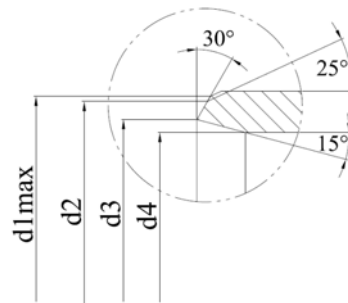
Test acc. : EN 12266.

TA-Luft Packing & Gasket

Temperature range :

-29°C~ +425°C(1.0619N)

-196°C~ +600°C(1.4408)



Material list

NO.	Part	Material	
		FIG. 153.032 - BW	FIG. 133.032 - BW
1	Body	1.4408 + STL	1.0619N+13Cr
2	Wedge	1.4408	1.0619N+13Cr / 1.4006(≤DN100)
3	Stem	1.4401	1.4021
4	Body seal	TA-Luft Gasket	TA-Luft Gasket
5	Bolts	A4-70/A2-70	1.7225(GC)
6	Nut	A4-70/A2-70	1.1181(YK)
7	Bonnet	1.4408	1.0619N
8	Packing	TA-Luft Packing	TA-Luft Packing
10	Bolt	A4-70/A2-70	1.7225(GC)
13	Gland flange	1.4408	1.0619N
14	Yoke	1.4408	1.0619N
15	Stem nut	GGG 40.3	GGG 40.3
17	Handwheel	GGG 40.3	GGG 40.3
18	Lock nut	1.4021	1.1181
21	ISO-Flange	1.4401	C22.8

Dimension list

PN	DN	L	d1max	d2	d3	d4	H	W	Stem	ISO-flange	Torque (N.m)	Number of turn	Hub	WT. (KG)
16	150	350	176	171	159	150	670	400	Tr28×5LH	F10	90	34	170	97.5
	200	400	228	222	207	200	830	400	Tr32×6LH	F14	150	36	216	138.6
	250	450	282	276	260	250	955	450	Tr36×6LH	F14	200	46	276	242
	300	500	331	325	309	300	114	500	Tr40×7LH	F14	310	46	322	381.2
	350	550	365	359	341	350	121	500	Tr40×7LH	F16	400	53	371	396.8
	400	600	417	411	387	400	139	600	Tr44×8LH	F16	450	53	424	592
	500	700	518	512	482	500	173	700	Tr50×8LH	F25	700	67	536	939

Note: The torque in the table does not contain safety factor.

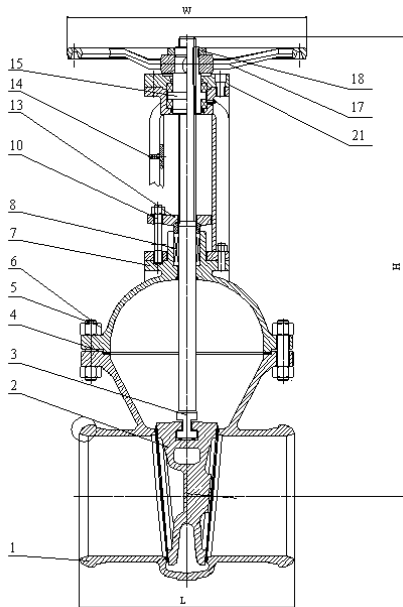
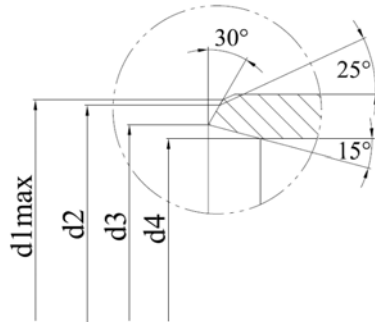


FIG.	Pressure	Material	Range
134.032-BW	PN25	1.0619N	DN150-DN500
154.032-BW	PN25	1.4408	DN150-DN500



Design and manufacture acc. :

AD 2000 A4

ATEX 2014/34/EU

EN 1984.

Face to face : EN558-1 Ser.15

BW ends : DIN 3239.

Actuator conn. flange: ISO 5210

Test acc. : EN 12266.

TA-Luft Packing & Gasket

Temperature range :

-29°C~ +425°C(1.0619N)

-196°C~ +600°C(1.4408)

Material list

NO.	Part	Material	
		FIG. 154.032 - BW	FIG. 134.032 - BW
1	Body	1.4408 + STL	1.0619N+13Cr
2	Wedge	1.4408	1.0619N+13Cr / 1.4006(≤DN100)
3	Stem	1.4401	1.4021
4	Body seal	TA-Luft Gasket	TA-Luft Gasket
5	Bolts	A4-70/A2-70	1.7225(GC)
6	Nut	A4-70/A2-70	1.1181(YK)
7	Bonnet	1.4408	1.0619N
8	Packing	TA-Luft Packing	TA-Luft Packing
10	Bolt	A4-70/A2-70	1.7225(GC)
13	Gland flange	1.4408	1.0619N
14	Yoke	1.4408	1.0619N
15	Stem nut	GGG 40.3	GGG 40.3
17	Handwheel	GGG 40.3	GGG 40.3
18	Lock nut	1.4021	1.1181
21	ISO-Flange	1.4401	C22.8

Dimension list

PN	DN	L	d1max	d2	d3	d4	H	W	Stem	ISO-flange	Torque (N.m)	Number of turn	Hub	WT. (KG)
25	150	350	176	171	159	150	670	400	Tr28×5LH	F14	90	34	170	100
	200	400	228	222	207	200	830	400	Tr32×6LH	F14	160	36	216	138.6
	250	450	282	276	260	250	955	450	Tr36×6LH	F14	220	46	276	242
	300	500	331	325	309	300	114	500	Tr40×7LH	F14	330	46	322	381.2
	350	550	365	359	341	350	121	500	Tr40×7LH	F16	420	53	371	396.8
	400	600	417	411	387	400	139	600	Tr44×8LH	F16	500	53	424	593
	500	700	518	512	482	500	173	700	Tr50×8LH	F25	750	67	536	945

Note: The torque in the table does not contain safety factor.

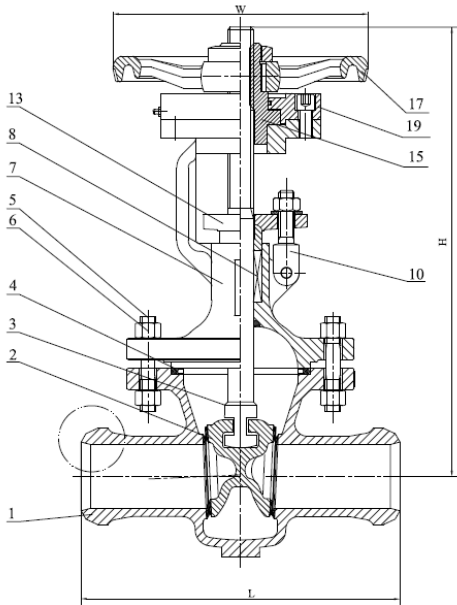


FIG.	Pressure	Material	Range
135.032-BW	PN40	1.0619N	DN50-DN125
155.032-BW	PN40	1.4408	DN50-DN125

Design and manufacture acc. :

AD 2000 A4

ATEX 2014/34/EU

EN 1984.

Face to face : EN558-1 Ser.26

BW ends : DIN 3239.

Actuator conn. flange: ISO 5210

Test acc. : EN 12266.

TA-Luft Packing & Gasket

Temperature range :

-29°C~ +425°C(1.0619N)

-196°C~ +600°C(1.4408)

Material list

NO.	Part	Material	
		FIG. 155.032 - BW	FIG. 135.032 - BW
1	Body	1.4408 / 1.4408 + STL (>DN100)	1.0619N+13Cr
2	Wedge	1.4408	1.0619N+13Cr / 1.4006(≤DN100)
3	Stem	1.4401	1.4021
4	Body seal	TA-Luft Gasket	TA-Luft Gasket
5	Bolts	A4-70/A2-70	1.7225(GC)
6	Nut	A4-70/A2-70	1.1181(YK)
7	Bonnet	1.4408	1.0619N
8	Packing	TA-Luft Packing	TA-Luft Packing
10	Fork bolt	A4-70/A2-70	1.7225(GC)
13	Gland flange	1.4408	1.0619N
15	Stem nut	GGG 40.3	GGG 40.3
17	Handwheel	GGG 40.3	GGG 40.3
19	ISO-Flange	1.4401	C22.5

Dimension list

PN	DN	L	d1max	d2	d3	d4	H	W	Stem	ISO-flange	Torque (N.m)	Number of turn	Hub	WT. (KG)
40	50	250	67	62	54	50	340	200	Tr20×4LH	F10	35	15	60	23.1
	65	290	83	78	70	65	415	39.3	Tr24×5LH	F10	40	17	85	34.1
	80	310	96	91	82	80	420	250	Tr24×5LH	F10	50	19	95	36.6
	100	350	121	116	106	100	485	250	Tr26×5LH	F10	55	23	115	55
	125	400	147	142	131	125	590	350	Tr26×5LH	F14	90	29	145	76

Note: The torque in the table does not contain safety factor.

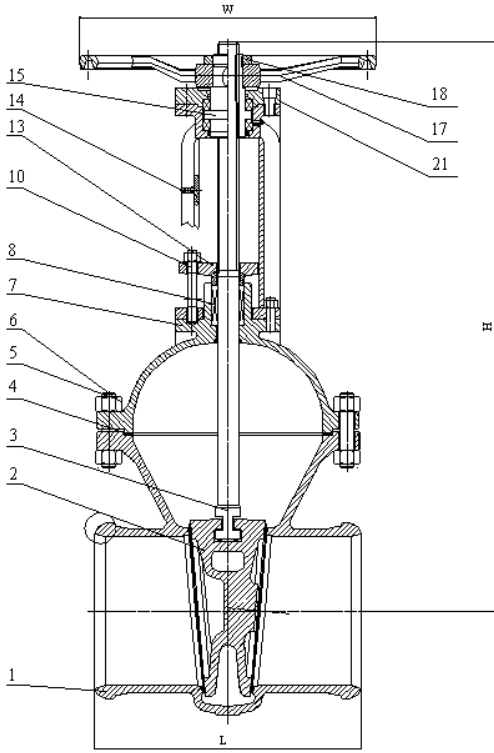


FIG.	Pressure	Material	Range
135.032-BW	PN40	1.0619N	DN150-DN500
155.032-BW	PN40	1.4408	DN150-DN500

Design and manufacture acc. :
AD 2000 A4
ATEX 2014/34/EU
EN 1984.
Face to face : EN558-1 Ser.26
BW ends : DIN 3239.
Actuator conn. flange: ISO 5210
Test acc. : EN 12266.
TA-Luft Packing & Gasket
Temperature range :
-29°C~ +425°C(1.0619N)
-196°C~ +600°C(1.4408)

Material list

NO.	Part	Material	
		FIG. 155.032 - BW	FIG. 135.032 - BW
1	Body	1.4408 + STL	1.0619N+13Cr
2	Wedge	1.4408	1.0619N+13Cr / 1.4006(≤DN100)
3	Stem	1.4401	1.4021
4	Body seal	TA-Luft Gasket	TA-Luft Gasket
5	Bolts	A4-70/A2-70	1.7225(GC)
6	Nut	A4-70/A2-70	1.1181(YK)
7	Bonnet	1.4408	1.0619N
8	Packing	TA-Luft Packing	TA-Luft Packing
10	Bolt	A4-70/A2-70	1.7225(GC)
13	Gland flange	1.4408	1.0619N
14	Yoke	1.4408	1.0619N
15	Stem nut	GGG 40.3	GGG 40.3
17	Handwheel	GGG 40.3	GGG 40.3
18	Lock nut	1.4021	1.1181
21	ISO-Flange	1.4401	C22.5

Dimension list

PN	DN	L	d1max	d2	d3	d4	H	W	Stem	ISO-flange	Torque (N.m)	Number of turn	Hub	WT. (KG)
40	150	450	176	171	159	150	670	400	Tr28×5LH	F14	100	34	170	103.6
	200	550	228	222	207	200	830	400	Tr32×6LH	F14	170	36	216	171
	250	650	282	276	260	250	955	450	Tr36×6LH	F14	230	46	276	299
	300	750	331	325	309	300	1145	500	Tr44×7LH	F14	350	40	320	445

Note: The torque in the table does not contain safety factor.

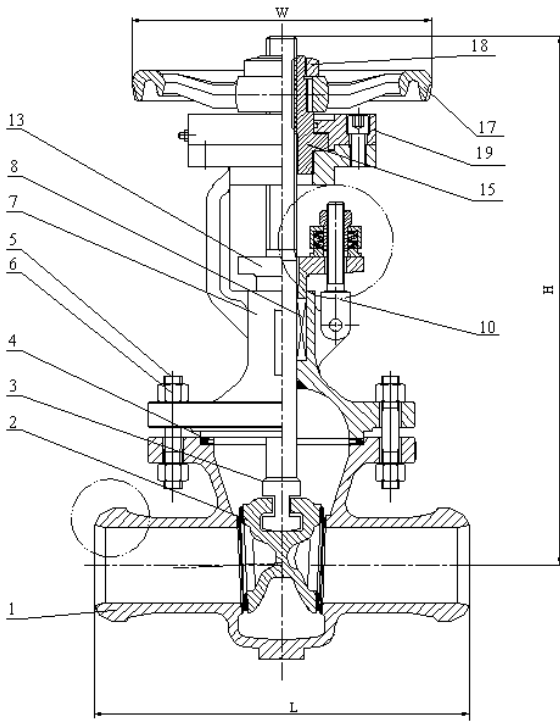
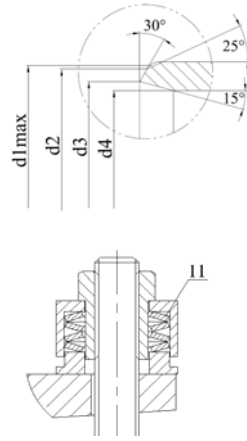


FIG.	Pressure	Material	Range
133.032 -BW + spring load system	PN16	1.0619N	DN50-DN125
134.032 -BW + spring load system	PN25	1.0619N	DN50-DN125
153.032 - BW + spring load system	PN16	1.4408	DN50-DN125
154.032 - BW + spring load system	PN25	1.4408	DN50-DN125



spring load system

Design and manufacture acc. :
AD 2000 A4
ATEX 2014/34/EU
EN 1984.
Face to face : EN558-1 Ser.15
BW ends : DIN 3239.
Actuator conn. flange: ISO 5210
Test acc. : EN 12266.
TA-Luft Packing & Gasket
Temperature range :
-29°C~ +425°C (1.0619N)
-196°C~ +600°C (1.4408)

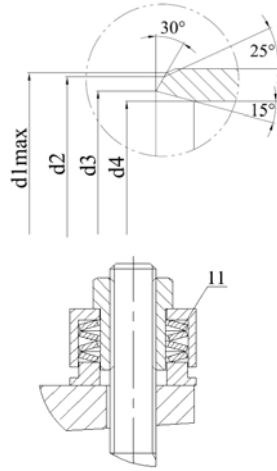
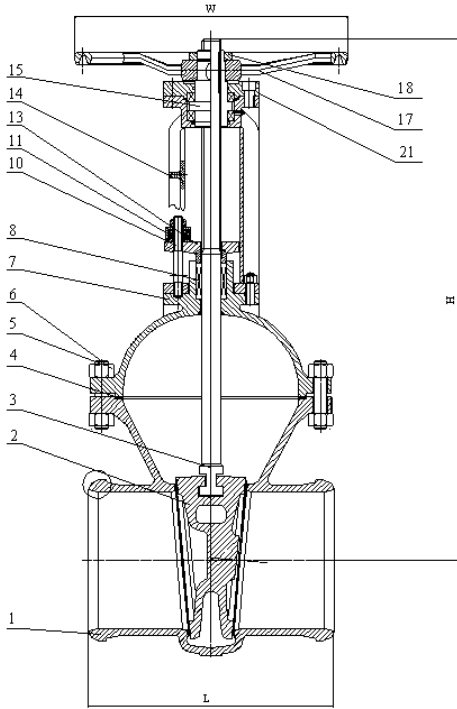
Material list

NO.	Part	Material	
		FIG. 153.032 - BW +spring load system / 154.032 - BW + spring load system	FIG. 133.032 - BW + spring load system/ 134.032 - BW + spring load system
1	Body	1.4408 / 1.4408 + STL (>DN100)	1.0619N+13Cr
2	Wedge	1.4408	1.0619N+13Cr / 1.4006(<DN100)
3	Stem	1.4401	1.4021
4	Body seal	TA-Luft Gasket	TA-Luft Gasket
5	Bolts	A4-70/A2-70	1.7225(GC)
6	Nut	A4-70/A2-70	1.1181(YK)
7	Bonnet	1.4408	1.0619N
8	Packing	TA-Luft Packing	TA-Luft Packing
10	Fork bolt	A4-70/A2-70	1.7225(GC)
11	Belleville spring	51CrV4	51CrV4
13	Gland flange	1.4408	1.0619N
15	Stem nut	GGG 40.3	GGG 40.3
17	Handwheel	GGG 40.3	GGG 40.3
18	Lock nut	1.4021	1.1181
19	ISO-Flange	1.4401	C22.8

Dimension list

PN	DN	L	D1	d1max	d2	d3	d4	H	W	Stem	Torque (N.m)	Number of turn	Hub	WT. (KG)	FTF	
16	65	270	122	83	78	70	65	425	250	Tr24×5LH	40	17	85	32.9	Ser.15	
	80	280	138	96	91	82	80	420	250	Tr24×5LH	45	19	95	34.3		
	100	300	158	121	116	106	100	480	250	Tr26×5LH	50	23	115	49.9		
	125	325	188	147	142	131	125	590	350	Tr26×5LH	80	29	145	69.9		
25	65	270	122	83	78	70	65	425	250	Tr24×5LH	40	17	85	32.9		
	80	280	138	96	91	82	80	420	250	Tr24×5LH	45	19	95	34.8		
	100	300	162	121	116	106	100	500	250	Tr26×5LH	50	23	115	50		
	125	325	188	147	142	131	125	590	350	Tr26×5LH	80	29	145	69.9		
16/25	50	250	102	67	62	54	50	340	200	Tr20×4LH	35	15	60	23.1		

Note: The torque in the table does not contain safety factor.



spring load system

FIG.	Pressure	Material	Range
133.032 - BW + spring load system	PN16	1.0619N	DN150-DN500
153.032 - BW + spring load system	PN16	1.4408	DN150-DN500

Design and manufacture acc. :
AD 2000 A4
ATEX 2014/34/EU
EN 1984.
Face to face : EN558-1 Ser.15
BW ends : DIN 3239.
Actuator conn. flange: ISO 5210
Test acc. : EN 12266.
TA-Luft Packing & Gasket
Temperature range :
-29°C~ +425°C(1.0619N)
-196°C~ +600°C(1.4408)

Material list

NO.	Part	Material	
		FIG. 153.032 - BW + spring load system	FIG. 133.032 - BW + spring load system
1	Body	1.4408 + STL	1.0619N+13Cr
2	Wedge	1.4408	1.0619N+13Cr / 1.4006(≤DN100)
3	Stem	1.4401	1.4021
4	Body seal	TA-Luft Gasket	TA-Luft Gasket
5	Bolts	A4-70/A2-70	1.7225(GC)
6	Nut	A4-70/A2-70	1.1181(YK)
7	Bonnet	1.4408	1.0619N
8	Packing	TA-Luft Packing	TA-Luft Packing
10	Bolt	A4-70/A2-70	1.7225(GC)
11	Belleville spring	51CrV4	51CrV4
13	Gland flange	1.4408	1.0619N
14	Yoke	1.4408	1.0619N
15	Stem nut	GGG 40.3	GGG 40.3
17	Handwheel	GGG 40.3	GGG 40.3
18	Lock nut	1.4021	1.1181
21	ISO-Flange	1.4401	C22.8

Dimension list

PN	DN	L	d1max	d2	d3	d4	H	W	Stem	ISO-flange	Torque (N.m)	Number of turn	Hub	WT. (KG)
16	150	350	176	171	159	150	670	400	Tr28×5LH	F10	90	34	170	97.5
	200	400	228	222	207	200	830	400	Tr32×6LH	F14	150	36	216	138.6
	250	450	282	276	260	250	955	450	Tr36×6LH	F14	200	46	276	242
	300	500	331	325	309	300	114	500	Tr40×7LH	F14	310	46	322	381.2
	350	550	365	359	341	350	121	500	Tr40×7LH	F16	400	53	371	396.8
	400	600	417	411	387	400	139	600	Tr44×8LH	F16	450	53	424	592
	500	700	518	512	482	500	173	700	Tr50×8LH	F25	700	67	536	939

Note: The torque in the table does not contain safety factor.

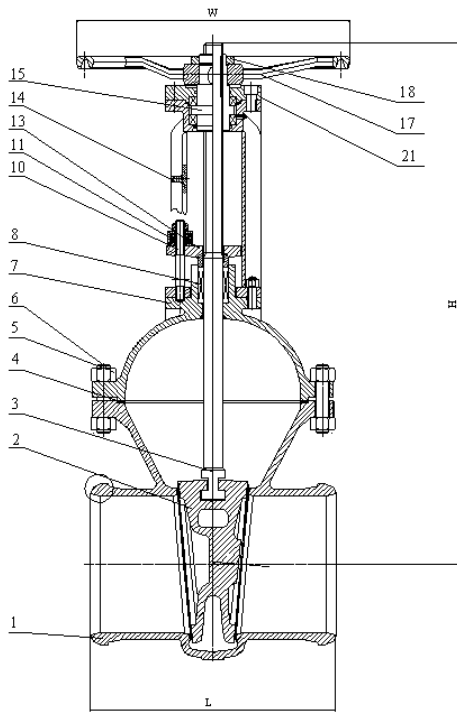
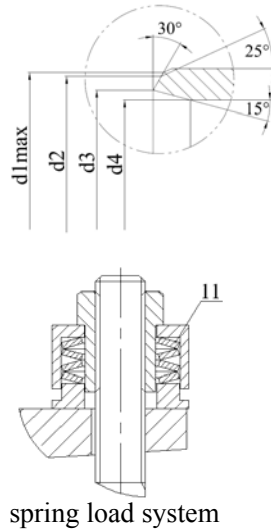


FIG.	Pressure	Material	Range
134.032 - BW + spring load system	PN25	1.0619N	DN150-DN500
154.032 - BW + spring load system	PN25	1.4408	DN150-DN500



Design and manufacture acc. :
AD 2000 A4
ATEX 2014/34/EU
EN 1984.
Face to face : EN558-1 Ser.15
BW ends : DIN 3239.
Actuator conn. flange: ISO 5210
Test acc. : EN 12266.
TA-Luft Packing & Gasket
Temperature range :
-29°C ~ +425°C (1.0619N)
-196°C ~ +600°C (1.4408)

Material list

NO.	Part	Material	
		FIG. 154.032 -BW + spring load system	FIG. 134.032 - BW + spring load system
1	Body	1.4408 + STL	1.0619N+13Cr
2	Wedge	1.4408	1.0619N+13Cr / 1.4006(≤DN100)
3	Stem	1.4401	1.4021
4	Body seal	TA-Luft Gasket	TA-Luft Gasket
5	Bolts	A4-70/A2-70	1.7225(GC)
6	Nut	A4-70/A2-70	1.1181(YK)
7	Bonnet	1.4408	1.0619N
8	Packing	TA-Luft Packing	TA-Luft Packing
10	Bolt	A4-70/A2-70	1.7225(GC)
11	Belleville spring	51CrV4	51CrV4
13	Gland flange	1.4408	1.0619N
14	Yoke	1.4408	1.0619N
15	Stem nut	GGG 40.3	GGG 40.3
17	Handwheel	GGG 40.3	GGG 40.3
18	Lock nut	1.4021	1.1181
21	ISO-Flange	1.4401	C22.8

Dimension list

PN	DN	L	d1max	d2	d3	d4	H	W	Stem	ISO-flange	Torque (N.m)	Number of turn	Hub	WT. (KG)
25	150	350	176	171	159	150	670	400	Tr28×5LH	F14	90	34	170	100
	200	400	228	222	207	200	830	400	Tr32×6LH	F14	160	36	216	138.6
	250	450	282	276	260	250	955	450	Tr36×6LH	F14	220	46	276	242
	300	500	331	325	309	300	114	500	Tr40×7LH	F14	330	46	322	381.2
	350	550	365	359	341	350	121	500	Tr40×7LH	F16	420	53	371	396.8
	400	600	417	411	387	400	139	600	Tr44×8LH	F16	500	53	424	593
	500	700	518	612	482	500	173	700	Tr50×8LH	F25	750	67	536	945

Note: The torque in the table does not contain safety factor.

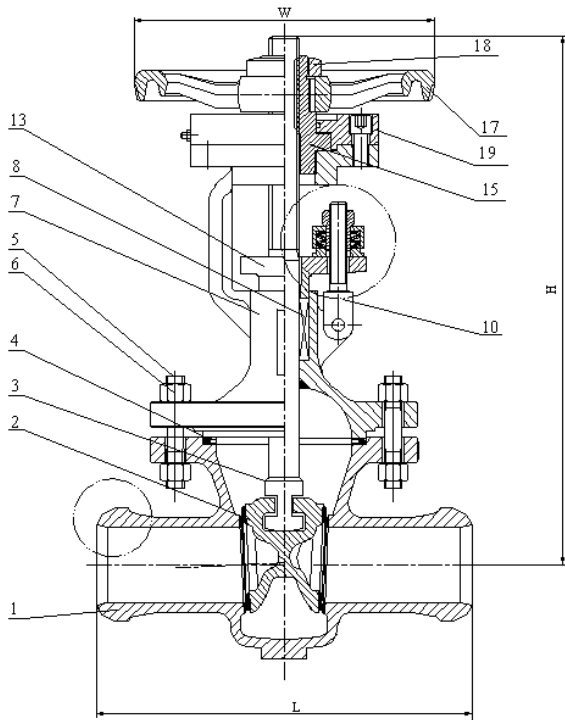
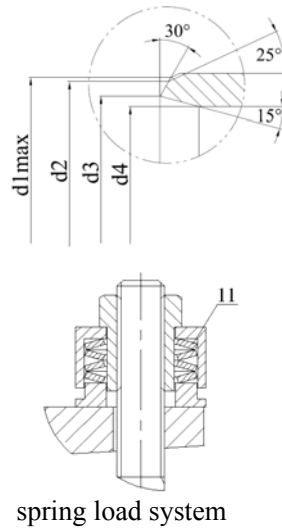


FIG.	Pressure	Material	Range
135.032 - BW + spring load system	PN40	1.0619N	DN50-DN125
155.032 - BW + spring load system	PN40	1.4408	DN50-DN125



Design and manufacture acc. :
AD 2000 A4
ATEX 2014/34/EU
EN 1984.
Face to face : EN558-1 Ser.26
BW ends : DIN 3239.
Actuator conn. flange: ISO 5210
Test acc. : EN 12266.
TA-Luft Packing & Gasket
Temperature range :
-29°C ~ +425°C (1.0619N)
-196°C ~ +600°C (1.4408)

Material list

NO.	Part	Material	
		FIG. 155.032 - BW + spring load system	FIG. 135.032 - BW + spring load system
1	Body	1.4408 / 1.4408 + STL (>DN100)	1.0619N+13Cr
2	Wedge	1.4408	1.0619N+13Cr / 1.4006(≤DN100)
3	Stem	1.4401	1.4021
4	Body seal	TA-Luft Gasket	TA-Luft Gasket
5	Bolts	A4-70/A2-70	1.7225(GC)
6	Nut	A4-70/A2-70	1.1181(YK)
7	Bonnet	1.4408	1.0619N
8	Packing	TA-Luft Packing	TA-Luft Packing
10	Fork bolt	A4-70/A2-70	1.7225(GC)
11	Belleville spring	51CrV4	51CrV4
13	Gland flange	1.4408	1.0619N
15	Stem nut	GGG 40.3	GGG 40.3
17	Handwheel	GGG 40.3	GGG 40.3
18	Lock nut	1.4021	1.1181
19	ISO-Flange	1.4401	C22.8

Dimension list

PN	DN	L	d1max	d2	d3	d4	H	W	Stem	ISO-flange	Torque (N.m)	Number of turn	Hub	WT. (KG)
40	50	250	67	62	54	50	340	200	Tr20×4LH	F10	35	15	60	23.1
	65	290	83	78	70	65	415	39.3	Tr24×5LH	F10	40	17	85	34.1
	80	310	96	91	82	80	420	250	Tr24×5LH	F10	50	19	95	36.6
	100	350	121	116	106	100	485	250	Tr26×5LH	F10	55	23	115	55
	125	400	147	142	131	125	590	350	Tr26×5LH	F14	90	29	145	76

Note: The torque in the table does not contain safety factor.

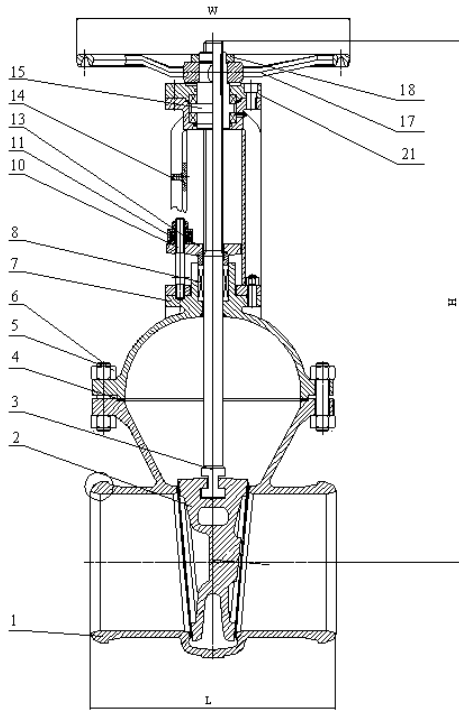
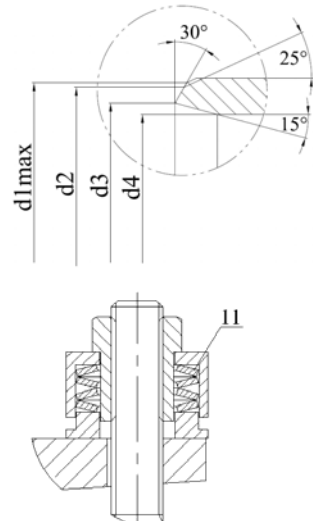


FIG.	Pressure	Material	Range
135.032 - BW + spring load system	PN40	1.0619N	DN150-DN500
155.032 -BW + spring load system	PN40	1.4408	DN150-DN500



spring load system

Design and manufacture acc. :
AD 2000 A4
ATEX 2014/34/EU
EN 1984.
Face to face : EN558-1 Ser.26
BW ends : DIN 3239.
Actuator conn. flange: ISO 5210
Test acc. : EN 12266.
TA-Luft Packing & Gasket
Temperature range :
-29°C~ +425°C(1.0619N)
-196°C~ +600°C(1.4408)

Material list

NO.	Part	Material	
		FIG. 155.032 - BW + spring load system	FIG. 135.032 - BW + spring load system
1	Body	1.4408 + STL	1.0619N+13Cr
2	Wedge	1.4408	1.0619N+13Cr / 1.4006(≤DN100)
3	Stem	1.4401	1.4021
4	Body seal	TA-Luft Gasket	TA-Luft Gasket
5	Bolts	A4-70/A2-70	1.7225(GC)
6	Nut	A4-70/A2-70	1.1181(YK)
7	Bonnet	1.4408	1.0619N
8	Packing	TA-Luft Packing	TA-Luft Packing
10	Bolt	A4-70/A2-70	1.7225(GC)
11	Belleville spring	51CrV4	51CrV4
13	Gland flange	1.4408	1.0619N
14	Yoke	1.4408	1.0619N
15	Stem nut	GGG 40.3	GGG 40.3
17	Handwheel	GGG 40.3	GGG 40.3
18	Lock nut	1.4021	1.1181
21	ISO-Flange	1.4401	C22.8

Dimension list

PN	DN	L	d1max	d2	d3	d4	H	W	Stem	ISO-flange	Torque (N.m)	Number of turn	Hub	WT. (KG)
40	150	450	176	171	159	150	670	400	Tr28×5LH	F14	100	34	170	103.6
	200	550	228	222	207	200	830	400	Tr32×6LH	F14	170	36	216	171
	250	650	282	276	260	250	955	450	Tr36×6LH	F14	230	46	276	299
	300	750	331	325	309	300	1145	500	Tr44×7LH	F14	350	40	320	445

Note: The torque in the table does not contain safety factor.