

DIN High-pressure Bellows seal globe valve for the containment and isolation of hazardous liquids and gases

Fig.119

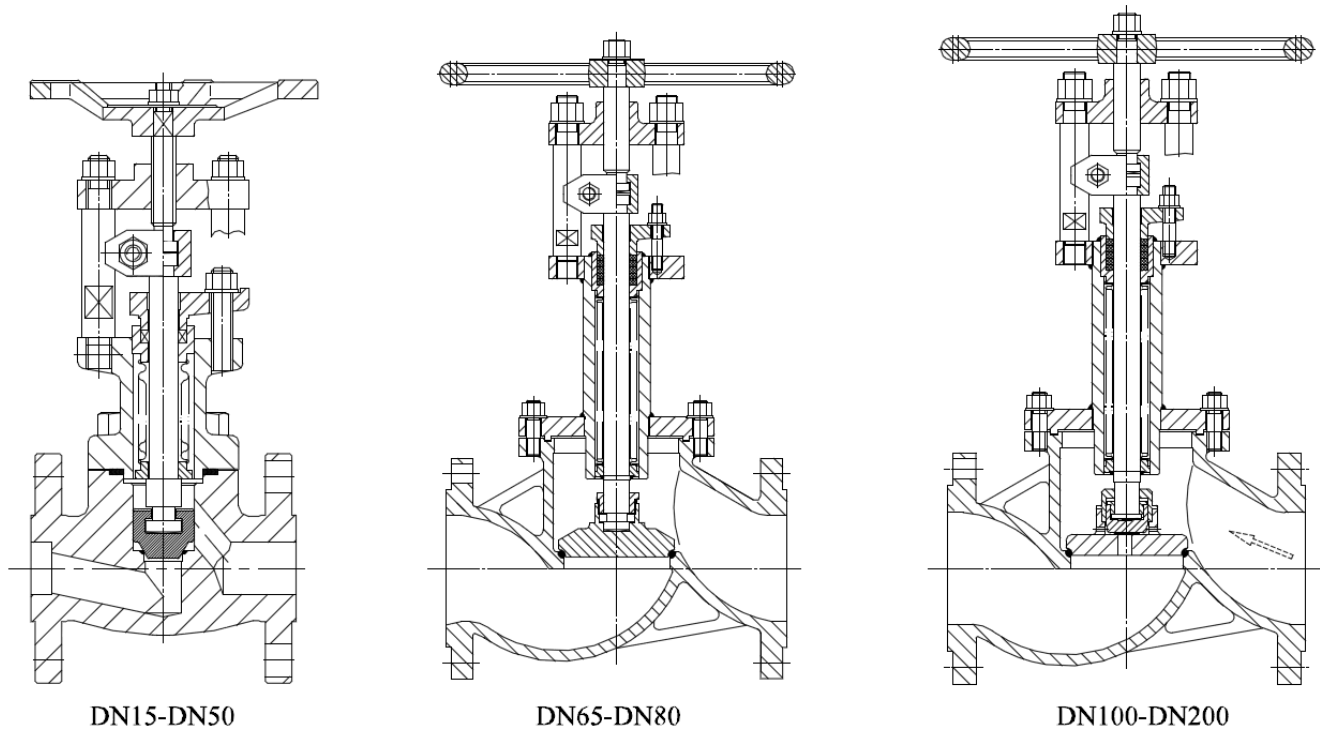
DN15-DN200

PN63,PN100,PN160

Body 1.0460(A105N)/1.4401(A182 F316) for DN15-DN50

Body 1.0619(A216 WCB)/1.4408(A351 CF8M) for DN65-DN200

10 000 cycles 1.4571 Witzmann bellows



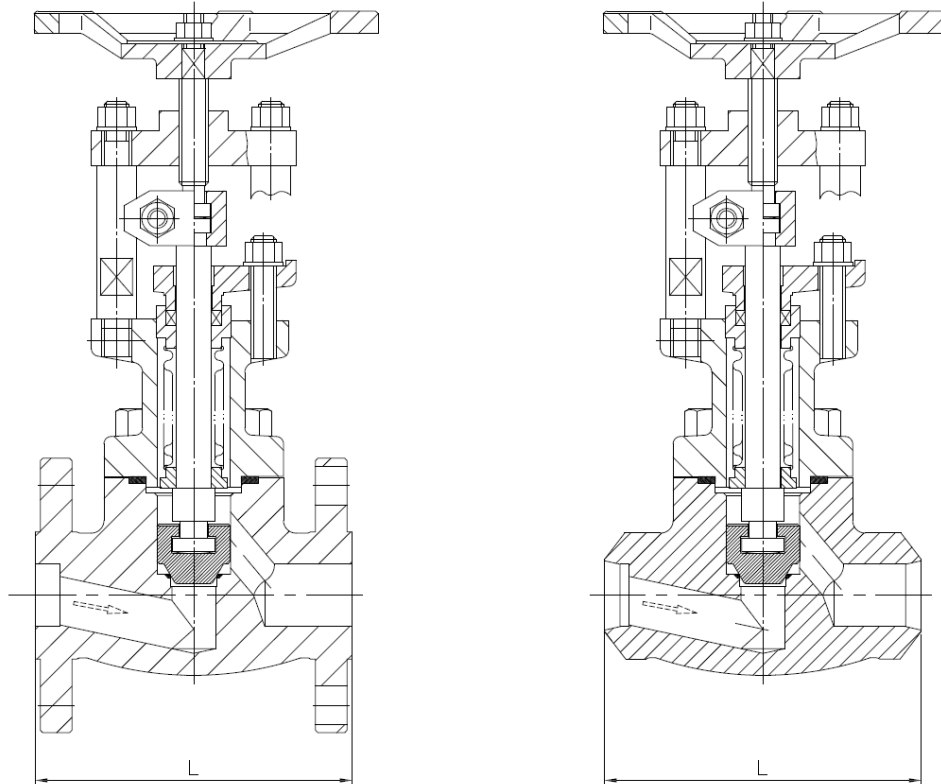
Design features

- Straight type,seat hardfaced ,conical plug
- Bellows protected in extended bonnet or by protecting plate against direct impingement from product flow
- Multiple walls and hydroformed Witzmann bellows,and 10 000 cycles operations guaranteed
- two-piece stem protects the bellows against torque stress
- design eliminates stem bearings along with their maintenance needs
- Fire safe per EN ISO 10497 applicable
- Fugitive emissions test per EN ISO 15848 applicable

Applications

Fig.119 is design guarantees reliable and excellent protections against leaks and fugitive emissions.The stem seal requires virtually no maintenance due to leak free weld connections of the bellows with bonnet and stem.

The valve is designed for critical service applications involving lethal,toxic,corrosive,inflammable,volatile,radiating,or expensive fluids.



Design acc. to EN 12516 / EN 13709

Flange ends acc. to EN 1092-1; BW ends acc. to EN 12627

Standard test acc. to EN 12266 / ISO 5208

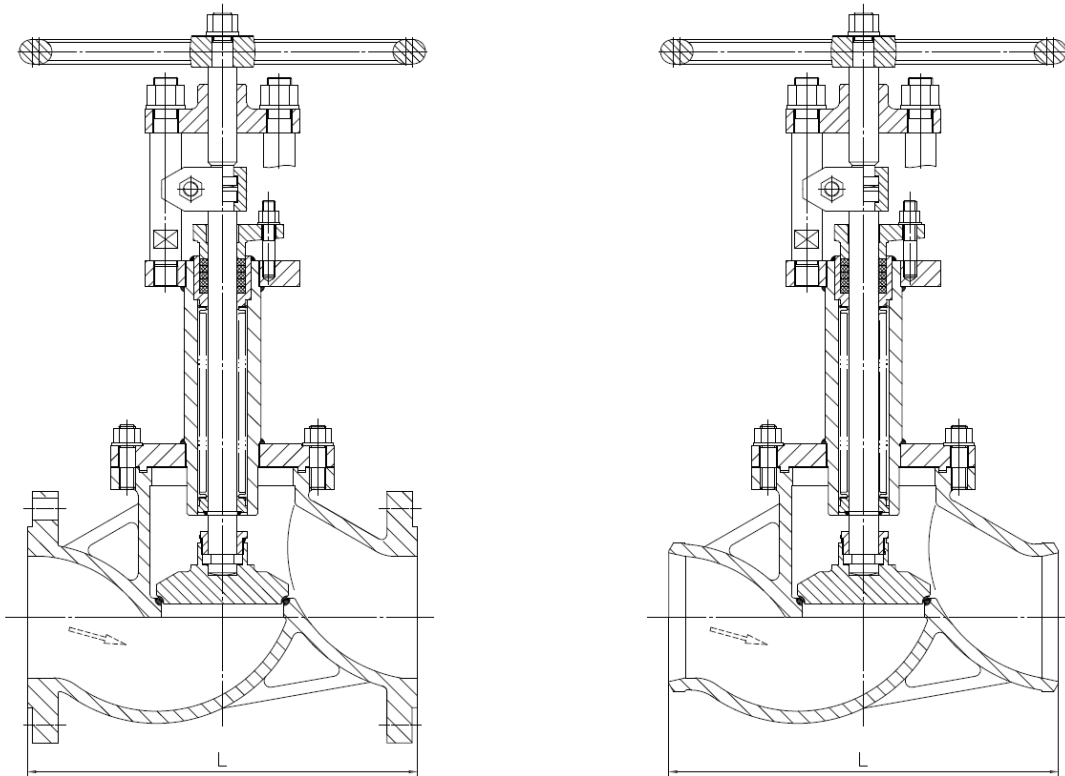
FTT (ETE) dimension acc. to EN 558-1 / EN 12982

PN	FTF(ETE)	DN15	DN20	DN25	DN32	DN40	DN50
PN63,PN100,PN160	L	210	230	230	260	260	300

FIG.	PN	Material	Range
146.119/146.119-BW	PN63	1.0460(A105)	DN15-DN50
147.119/147.119-BW	PN100	1.0460(A105)	DN15-DN50
148.119/148.119-BW	PN160	1.0460(A105)	DN15-DN50
236.119/236.119-BW	PN63	1.4401(A182 F316)	DN15-DN50
237.119/237.119-BW	PN100	1.4401(A182 F316)	DN15-DN50
238.119/238.119-BW	PN160	1.4401(A182 F316)	DN15-DN50

Material List

Component	C.S.	S.S.
Body	1.0460	1.4401
Body seat	1.4370/1.4551	1.4401/Stellit 21
Disc	1.4021 QT	1.4401
Disc seat	1.4021 QT	Stellit 21/Stellit 6
Stem	1.4021	1.4401
Bellows	1.4571	1.4571
Bolts	1.7225(GC)	A4-70
Nuts	1.1181(YK)	A4



Design acc. to EN 12516 / EN 13709

Flange ends acc. to EN 1092-1; BW ends acc. to EN 12627

Standard test acc. to EN 12266 / ISO 5208

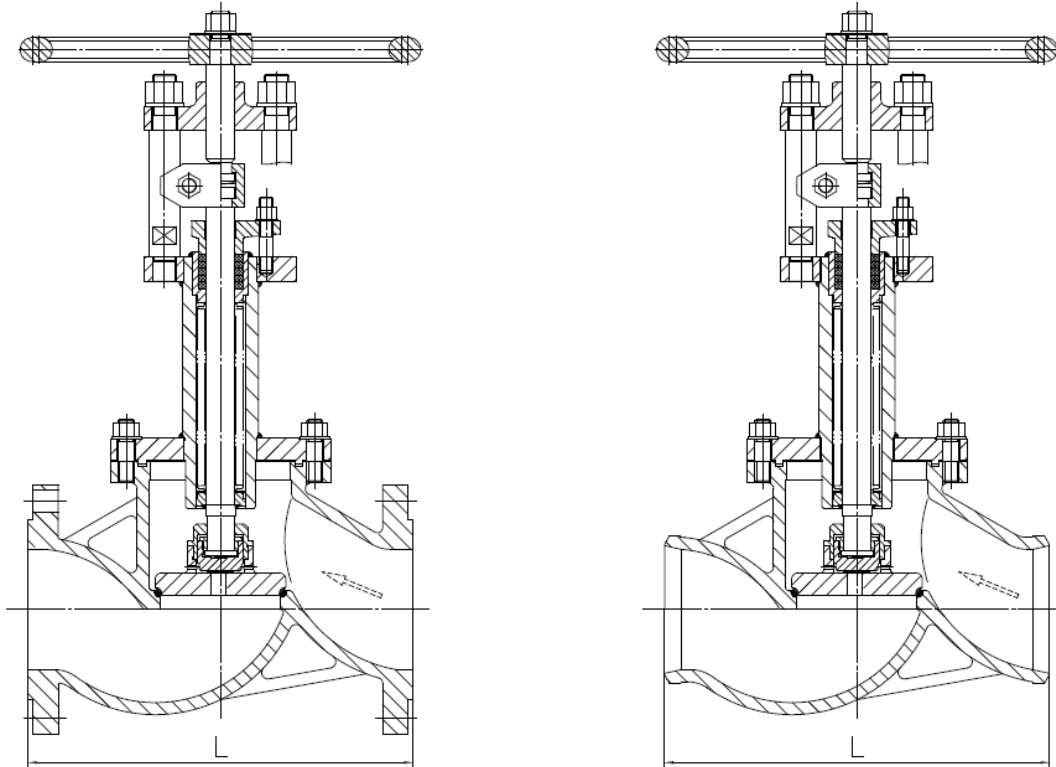
FTT (ETE) dimension acc. to EN 558-1 / EN 12982

PN	FTF(ETE)	DN65	DN80
PN63,PN100,PN160	L	210	230

FIG.	PN	Material	Range
136.119/136.119-BW	PN63	1.0619(A216 WCB)	DN65-DN80
137.119/137.119-BW	PN100	1.0619(A216 WCB)	DN65-DN80
138.119/138.119-BW	PN160	1.0619(A216 WCB)	DN65-DN80
156.119/156.119-BW	PN63	1.4408(A351 CF8M)	DN65-DN80
157.119/157.119-BW	PN100	1.4408(A351 CF8M)	DN65-DN80
158.119/158.119-BW	PN160	1.4408(A351 CF8M)	DN65-DN80

Material List

Component	C.S.	S.S.
Body	1.0619	1.4408
Body seat	1.4370/1.4551	1.4408/Stellit 21
Disc	1.4021 QT	1.4401
Disc seat	1.4021 QT	Stellit 21/Stellit 6
Stem	1.4021	1.4401
Bellows	1.4571	1.4571
Bolts	1.7225(GC)	A4-70
Nuts	1.1181(YK)	A4



Design acc. to EN 12516 / EN 13709

Flange ends acc. to EN 1092-1; BW ends acc. to EN 12627

Standard test acc. to EN 12266 / ISO 5208

FTT (ETE) dimension acc. to EN 558-1 / EN 12982

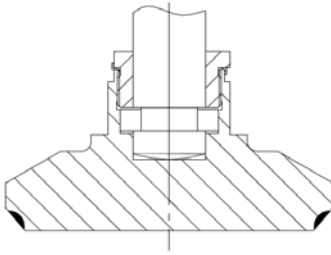
PN	FTF(ETE)	DN100	DN125	DN150	DN200
PN63,PN100,PN160	L	430	500	550	650

FIG.	PN	Material	Range
136.119/136.119-BW	PN63	1.0619(A216 WCB)	DN100-DN200
137.119/137.119-BW	PN100	1.0619(A216 WCB)	DN100-DN200
138.119/138.119-BW	PN160	1.0619(A216 WCB)	DN100-DN200
156.119/156.119-BW	PN63	1.4408(A351 CF8M)	DN100-DN200
157.119/157.119-BW	PN100	1.4408(A351 CF8M)	DN100-DN200
158.119/158.119-BW	PN160	1.4408(A351 CF8M)	DN100-DN200

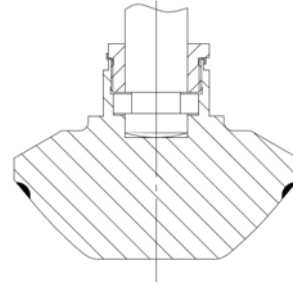
Material List

Component	C.S.	S.S.
Body	1.0619	1.4408
Body seat	1.4370/1.4551	1.4408/Stellit 21
Disc	1.0425	1.4401
Disc seat	1.4009	Stellit 21/Stellit 6
Stem	1.4021	1.4401
Bellows	1.4571	1.4571
Bolts	1.7225(GC)	A4-70
Nuts	1.1181(YK)	A4

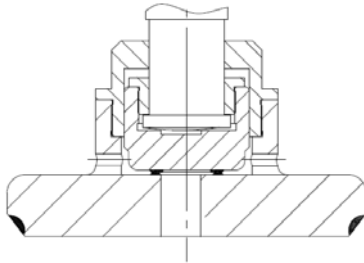
Available



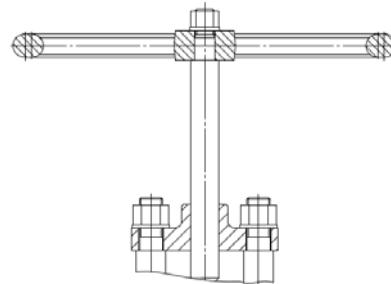
Isolation plug with marginal seat



Regulating plug with marginal seat



Balancing plug



Extended stem