

Double offset butterfly valve

Lug type

Design acc. : EN 12516

Face to face : EN 558-1,G20

Flange accommodation: EN 1092-1

Pressure test : EN 12266-1 .

Body : WCB/CF8M

Temperature range:

-29°C-200°C for PTFE seat

-29°C-400°C for METAL seat

**Operation: Hand lever, gear box,
pneumatic actuator,
electric actuator**

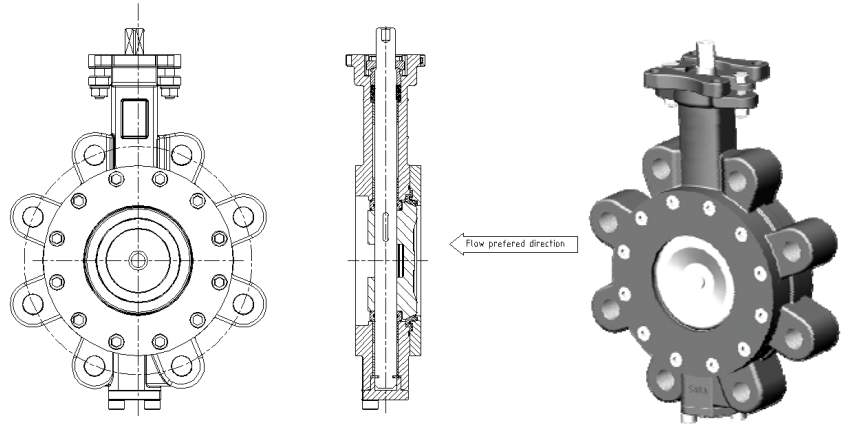


FIG : XXX.922

Page 1 - 2

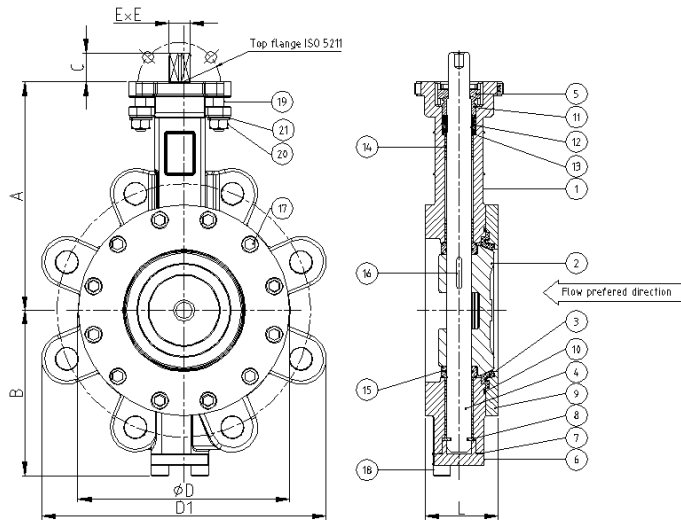


FIG.	Pressure	Material	Range
133.922	PN16	WCB	DN50-DN600
153.922	PN16	CF8M	DN50-DN600

Design acc. : EN 12516
Face to face : API 609 Category B valve
Wafer
Flange accommodation: EN 1092
Pressure test : EN 12266-1

NO.	Part	Material	
		FIG. 133.922	FIG. 153.922
1	Body	WCB	CF8M
2	Disc	CF8	CF8M
3	Seat	RPTFE,SS316+RPTFE, SS316	
4	Shaft	17-4PH, 1.4462	
5	Packing gland	CF8	
6	Bottom cover	Same as body	
7	Cover seal	Graphite	
8	Thrust washer	SS316	
9	Seat retainer	WCB	CF8M
10	Gasket	RPTFE,Graphite	
11	Retaining ring	SS304	
12	Packing	RPTFE,Graphite	
13	Packing ring	SS316	
14	Bearing	SS316+PTFE	
15	Thrust bearing	SS316	
16	Key	SS316	
17	Bolt	B8M	
18	Bolt	B8	
19	Bolt	B8	
20	Nut	8	
21	Belleville	SS304	

Dimension list

PN	DN	A	B	C	D	D1	E	L	Top flanges to ISO 5211	WT(kg)
16	50	126	79	13.5	92	123	11	43	F05	5
	65	126	87	13.5	105	150	11	46	F05	6
	80	145	100	17.5	130	156	11	48	F07	8
	100	170	124	17.5	157	218	14	54	F07	10
	125	185	144	17.5	186	241	14	57	F07	15
	150	203	150	18.5	216	264	17	57	F10	20
	200	239	186	24.5	269	325	22	64	F10	23
	250	275	226	24.5	324	394	22	71	F10	42
	300	307	251	30	380	471	27	81	F12	60
	350	337	294	30	416	520	27	92	F12	100
	400	368	320	30	476	585	27	102	F14	155
	450	406	341	39	534	625	36	114	F16	200
500	442	383	49	588	693	46	127	F16	270	
600	493	442	49	692	807	46	154	F25	420	

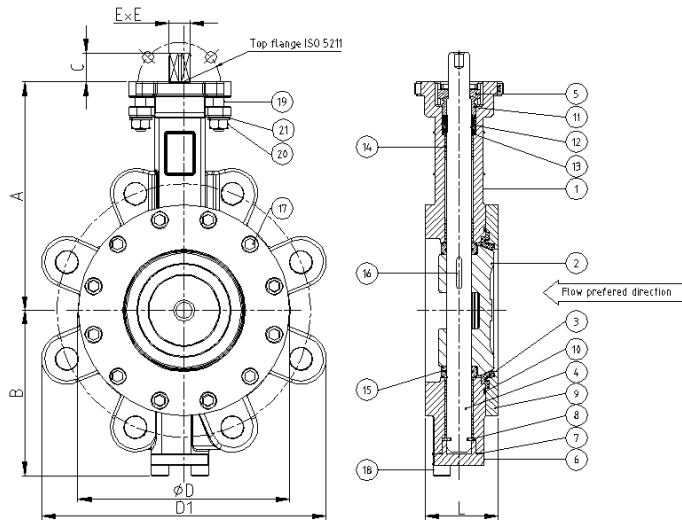


FIG.	Pressure	Material	Range
135.922	PN40	WCB	DN50-DN600
155.922	PN40	CF8M	DN50-DN600

Design acc. : EN 12516
Face to face : API 609 Category B valve
Wafer
Flange accommodation: EN 1092
Pressure test : EN 12266-1

NO.	Part	Material	
		FIG. 135.922	FIG. 155.922
1	Body	WCB	CF8M
2	Disc	CF8	CF8M
3	Seat	RPTFE,SS316+RPTFE, SS316	
4	Shaft	17-4PH, 1.4462	
5	Packing gland	CF8	
6	Bottom cover	Same as body	
7	Cover seal	Graphite	
8	Thrust washer	SS316	
9	Seat retainer	WCB	CF8M
10	Gasket	RPTFE,Graphite	
11	Retaining ring	SS304	
12	Packing	RPTFE,Graphite	
13	Packing ring	SS316	
14	Bearing	SS316+PTFE	
15	Thrust bearing	SS316	
16	Key	SS316	
17	Bolt	B8M	
18	Bolt	B8	
19	Bolt	B8	
20	Nut	8	
21	Belleville	SS304	

Dimension list

PN	DN	A	B	C	D	D1	E	L	Top flanges to ISO 5211	WT(kg)
16	50	126	79	13.5	92	123	11	43	F05	5
	65	126	87	13.5	105	150	11	46	F05	6
	80	145	100	17.5	130	156	11	48	F07	8
	100	170	124	17.5	157	218	14	54	F07	10
	125	185	144	17.5	186	241	14	57	F07	15
	150	203	150	18.5	216	264	17	57	F10	20
	200	239	186	24.5	269	325	22	64	F10	23
	250	275	226	24.5	324	394	22	71	F10	42
	300	307	251	30	380	471	27	81	F12	60
	350	337	294	30	416	520	27	92	F12	100
	400	368	320	30	476	585	27	102	F14	155
	450	406	341	39	534	625	36	114	F16	200
500	442	383	49	588	693	46	127	F16	270	
600	493	442	49	692	807	46	154	F25	420	