

Concentric butterfly valve

Lug type

Design acc. : EN 593 .

Face to face : EN 558-1,G20

Flange accommodation: EN 1092-1

Pressure test : EN 12266-1 .

Body : GGG40.3/WCB/CF8M

Temperature range: -40°C-180°C

**Operation: Hand lever, gear box,
pneumatic actuator,
electric actuator**

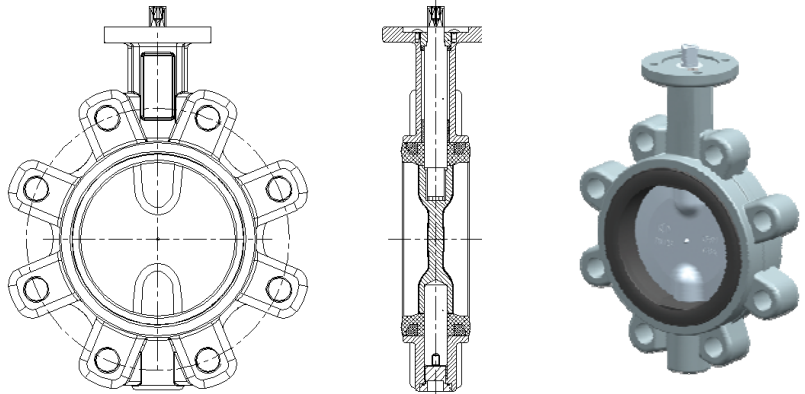


FIG :XXX. 921

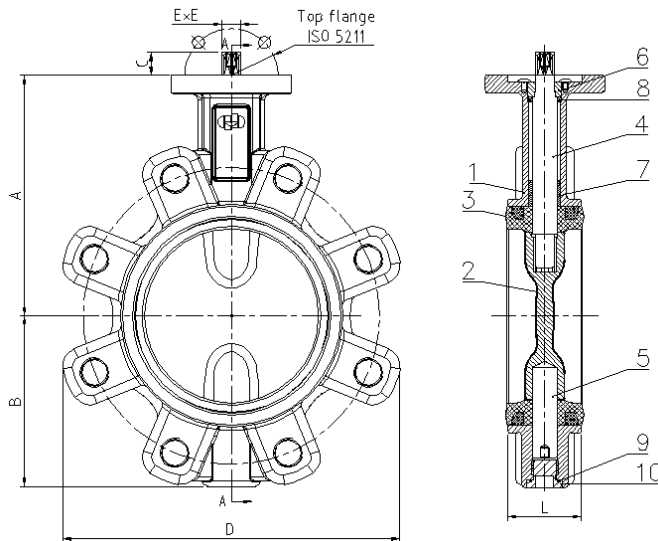


FIG.	Pressure	Material	Range
122.921	PN10	GGG40.3	DN50-DN300
123.921	PN16	GGG40.3	DN50-DN300
132.921	PN10	WCB	DN50-DN300
133.921	PN16	WCB	DN50-DN300
152.921	PN10	CF8M	DN50-DN300
153.921	PN16	CF8M	DN50-DN300

Design acc. : EN 593
Face to face : EN 558-1, G20
Flange accommodation: EN 1092
Pressure test : EN 12266-1

Material list

NO.	Part	Material
		FIG. 122.921/123.921/132.921/133.921/152.921/153.921
1	Body	GGG40.3/ WCB/ CF8M
2	Disc	GGG40.3 Nylon coating/CF8/CF8M
3	Seat	EPDM,NBR,FPM
4	Stem	SS420, SS431
5	Lower stem	SS420, SS431
6	Retainer	Nylon for DN50-DN300, SS304 for DN350-DN2000
7	Protection ring hex socket	RPTFE with graphite on I.D.
8	Packing	NBR
9	Flange gland	Steel galvanized for DN50-DN300, cover plate for DN350-DN2000 material same as body
10	Bolt	SS304

Dimension list

PN	DN	A	B	C	D	E	L	Top flanges to ISO 5211
10/16	50	126	78	19	116	9	43	F05
	65	134	84	19	131	9	46	F05
	80	138	92	19	177	9	46	F05
	100	167	114	19	206	11	52	F07
	125	180	129	19	236	14	56	F07
	150	203	144	19	258	14	56	F07
	200	228	179	25	321	17	60	F10
	250	266	216	32	395	22	68	F10
	300	291	247	32	461	22	78	F10

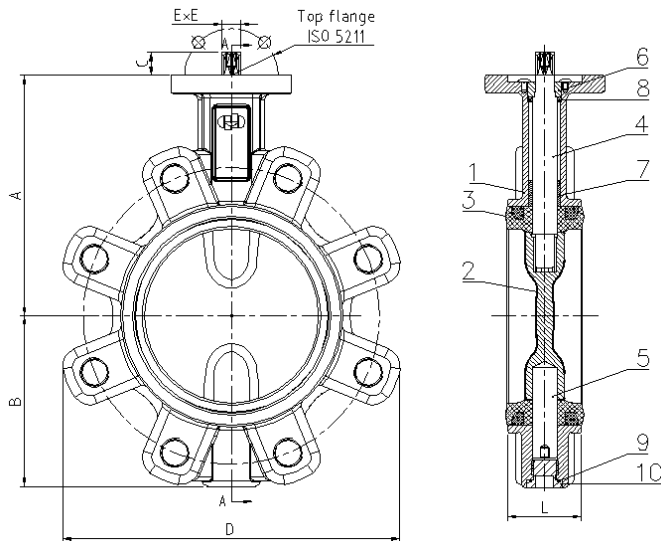


FIG.	Pressure	Material	Range
122.921	PN10	GGG40.3	DN350-DN600
123.921	PN16	GGG40.3	DN350-DN600
132.921	PN10	WCB	DN350-DN600
133.921	PN16	WCB	DN350-DN600
152.921	PN10	CF8M	DN350-DN600
153.921	PN16	CF8M	DN350-DN600

Design acc. : EN 593
Face to face : EN 558-1, G20
Flange accommodation: EN 1092
Pressure test : EN 12266-1

Material list

NO.	Part	Material
		FIG. 122.921/123.921/132.921/133.921/152.921/153.921
1	Body	GGG40.3/ WCB/ CF8M
2	Disc	GGG40.3 Nylon coating/CF8/CF8M
3	Seat	EPDM,NBR,FPM
4	Stem	SS420, SS431
5	Lower stem	SS420, SS431
6	Retainer	SS304
7	Protection ring hex socket	RPTFE with graphite on I.D.
8	Packing	NBR
9	Flange gland	Steel galvanized for DN50-DN300, cover plate for DN350-DN2000 material same as body
10	Bolt	SS304

Dimension list

PN	DN	A	B	C	D	E	L	Top flanges to ISO 5211
10/16	350	332	273	30	511	27	78	F12
	400	363	317	30	580	27	102	F12
	450	397	348	39	630	36	114	F14
	500	425	393	39	700	36	127	F14
	600	498	453	49	823	46	154	F16

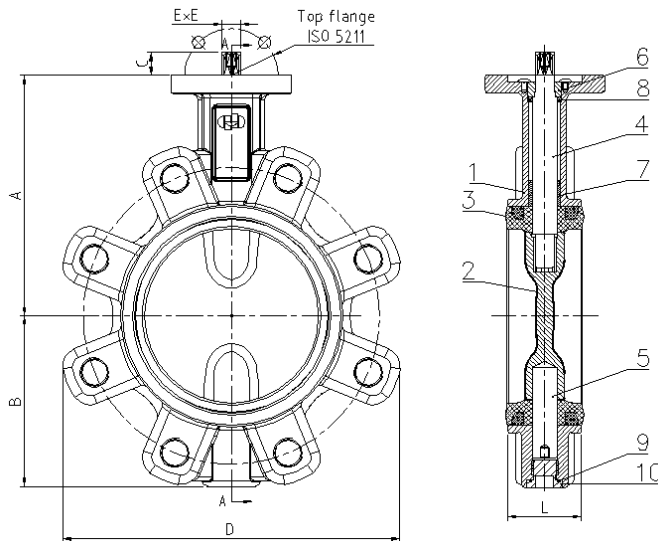


FIG.	Pressure	Material	Range
122.921	PN10	GGG40.3	DN700-DN2000
123.921	PN16	GGG40.3	DN700-DN2000
132.921	PN10	WCB	DN700-DN2000
133.921	PN16	WCB	DN700-DN2000
152.921	PN10	CF8M	DN700-DN2000
153.921	PN16	CF8M	DN700-DN2000

Design acc. : EN 593
Face to face : EN 558-1, G20
Flange accommodation: EN 1092
Pressure test : EN 12266-1

Material list

NO.	Part	Material
		FIG. 122.921/123.921/132.921/133.921/152.921/153.921
1	Body	GGG40.3/ WCB/ CF8M
2	Disc	GGG40.3 Nylon coating/CF8/CF8M
3	Seat	EPDM,NBR,FPM
4	Stem	SS420, SS431
5	Lower stem	SS420, SS431
6	Retainer	SS304
7	Protection ring hex socket	RPTFE with graphite on I.D.
8	Packing	NBR
9	Flange gland	Steel galvanized for DN50-DN300, cover plate for DN350-DN2000 material same as body
10	Bolt	SS304

Dimension list

PN	DN	A	B	C	D	E	L	Top flanges to ISO 5211
10/16	700	626	531	90	928	63.1	165	F25
	750	660	564	90	984	63.1	165	F25
	800	666	601	90	1061	63.1	190	F25
	900	722	660	110	1170	74.7	203	F25
	1000	806	728	120	1290	83.7	216	F30
	1100	826	771	140	1404	94.7	255	F30
	1200	941	874	150	1511	104.7	276	F30
	1400	1000	940	175	1685	139.9	279	F35
	1600	1155	1085	195	1930	160	318	F35
	1800	1200	1170	195	2170	174.5	356	F40
	2000	1363	1360	245	2345	199	406	F40