

Design acc. :AD 2000 A4, ATEX 2014/34/EU, EN 1984.

Face to face : EN558-1 Ser.15/Ser.26

Pipe conn. flange: EN1092-1.

Actuator conn. flange: ISO 5210

Test acc. : EN12266.

TA-Luft Packing

TA-Luft Gasket

Temperature range :

-29°C~ +425°C(1.0619N)

-196°C~ +600°C(1.4408)

Body : 1.0619N /1.4408

Wall thickness for PN16 is the same as for PN25 valves

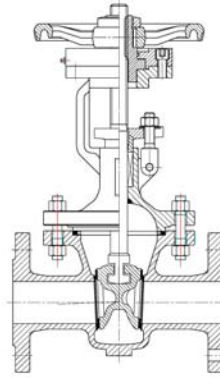


FIG : XXX.032

Page 1 - 5

FIG : 032

Design acc. :AD 2000 A4, ATEX 2014/34/EU, EN 1984.

Face to face : EN558-1 Ser.15/Ser.26

Pipe conn. flange: EN1092-1.

Actuator conn. flange: ISO 5210

Test acc. : EN12266.

TA-Luft Packing

TA-Luft Gasket

Temperature range :

-29°C~ +425°C(1.0619N)

-196°C~ +600°C(1.4408)

Body : 1.0619N /1.4408

Wall thickness for PN16 is the same as for PN25 valves

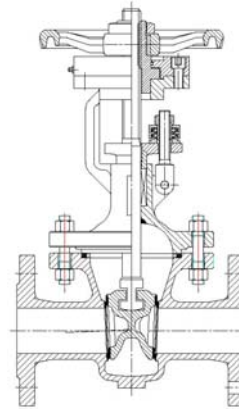
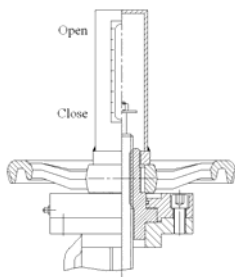


FIG : XXX.032 + spring load system

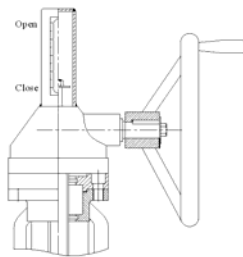
Page 6 - 10

FIG : 032 + spring load system

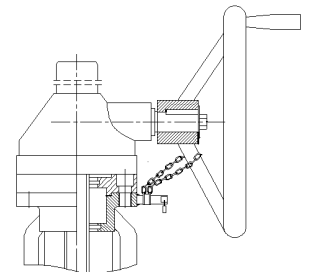
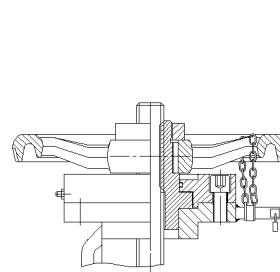
Available



Position indicator



Locking device



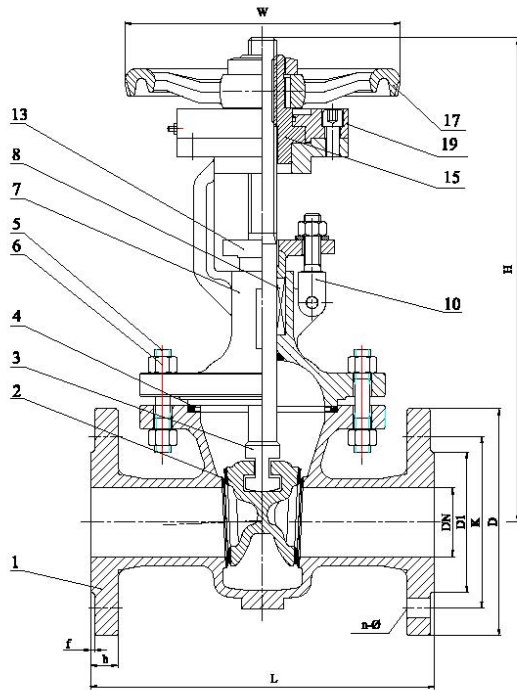


FIG.	Pressure	Material	Range
133.032	PN16	1.0619N	DN50-DN125
134.032	PN25	1.0619N	DN50-DN125
153.032	PN16	1.4408	DN50-DN125
154.032	PN25	1.4408	DN50-DN125

Design and manufacture acc. :

AD 2000 A4

ATEX 2014/34/EU

EN 1984.

Face to face : EN558-1 Ser.15

Pipe conn. flange: EN1092-1.

Actuator conn. flange: ISO 5210

Test acc. : EN12266.

TA-Luft Packing & Gasket

Temperature range :

-29°C ~ +425°C (1.0619N)

-196°C ~ +600°C (1.4408)

Material list

NO.	Part	Material	
		FIG. 153.032 / 154.032	FIG. 133.032 /134.032
1	Body	1.4408 / 1.4408 + STL (>DN100)	1.0619N+13Cr
2	Wedge	1.4408	1.0619N+13Cr / 1.4006(≤DN100)
3	Stem	1.4401	1.4021
4	Body seal	TA-Luft Gasket	TA-Luft Gasket
5	Bolts	A4-70/A2-70	1.7225(GC)
6	Nut	A4-70A2-70	1.1181(YK)
7	Bonnet	1.4408	1.0619N
8	Packing	TA-Luft Packing	TA-Luft Packing
10	Fork bolt	A4-70/A2-70	1.7225(GC)
13	Gland flange	1.4408	1.0619N
15	Stem nut	GGG 40.3	GGG 40.3
17	Handwheel	GGG 40.3	GGG 40.3
19	ISO-Flange	1.4401	C22.8

Dimension list

PN	DN	L	D1	K	D	f	b	n	φ	H	W	Stem	ISO-flange	Torque (N.m)	Number of turn	Hub	WT. (KG)
16	65	270	122	145	185	3	18	4	18	425	250	Tr24×5LH	F10	40	17	85	37.3
	80	280	138	160	200	3	20	8	18	420	250	Tr24×5LH	F10	45	19	95	40
	100	300	158	180	220	3	20	8	18	480	250	Tr26×5LH	F10	50	23	115	55.7
	125	325	188	210	250	3	22	8	18	590	350	Tr26×5LH	F10	80	29	145	77.3
25	65	270	122	145	185	3	22	8	18	425	250	Tr24×5LH	F10	40	17	85	37.3
	80	280	138	160	200	3	24	8	18	420	250	Tr24×5LH	F10	45	19	95	40
	100	300	162	190	235	3	24	8	22	500	250	Tr26×5LH	F10	50	23	115	56.8
	125	325	188	220	270	3	26	8	26	590	350	Tr26×5LH	F10	80	29	145	85.1
16/25	50	250	102	125	165	3	20	4	18	340	200	Tr20×4LH	F10	35	15	60	26.8

Note: The torque in the table does not contain safety factor.

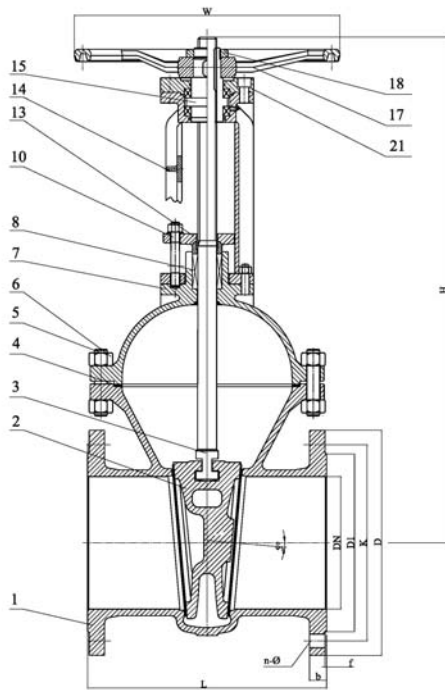


FIG.	Pressure	Material	Range
133.032	PN16	1.0619N	DN150-DN1200
153.032	PN16	1.4408	DN150-DN1200

Design and manufacture acc. :
AD 2000 A4
ATEX 2014/34/EU
EN 1984.
Face to face : EN558-1 Ser.15
Pipe conn. flange: EN1092-1.
Actuator conn. flange: ISO 5210
Test acc. : EN12266.
TA-Luft Packing & Gasket
Temperature range :
-29°C~ +425°C(1.0619N)
-196°C~ +600°C(1.4408)

Material list

NO.	Part	Material	
		FIG. 153.032	FIG. 133.032
1	Body	1.4408 + STL	1.0619N+13Cr
2	Wedge	1.4408	1.0619N+13Cr / 1.4006(<DN100)
3	Stem	1.4401	1.4021
4	Body seal	TA-Luft Gasket	TA-Luft Gasket
5	Bolts	A4-70/A2-70	1.7225(GC)
6	Nut	A4-70/A2-70	1.1181(YK)
7	Bonnet	1.4408	1.0619N
8	Packing	TA-Luft Packing	TA-Luft Packing
10	Bolt	A4-70/A2-70	1.7225(GC)
13	Gland flange	1.4408	1.0619N
14	Yoke	1.4408	1.0619N
15	Stem nut	GGG 40.3	GGG 40.3
17	Handwheel	GGG 40.3	GGG 40.3
18	Lock nut	1.4021	1.1181
21	ISO-Flange	1.4401	C22.8

Dimension list

PN	DN	L	D1	K	D	f	b	n	φ	H	W	Stem	ISO-flange	Torque (N.m)	Number of turn	Hub	WT. (KG)
16	150	350	212	240	285	3	22	8	22	670	400	Tr28×5LH	F10	90	34	170	107
	200	400	268	295	340	3	24	12	22	830	400	Tr32×6LH	F14	150	36	216	152
	250	450	320	355	405	3	26	12	26	955	450	Tr36×6LH	F14	200	46	276	262
	300	500	378	410	460	4	28	12	26	1145	500	Tr40×7LH	F14	310	46	322	405
	350	550	438	470	520	4	30	16	26	1210	500	Tr40×7LH	F16	400	53	371	426
	400	600	490	525	580	4	32	16	30	1390	600	Tr44×8LH	F16	450	53	424	630
	500	700	610	650	715	4	36	20	33	1730	700	Tr50×8LH	F25	700	67	536	1015
	600	800	725	770	840	5	40	20	36	2120	750	Tr60×9LH	F30	1200	72	648	1309
	700	900	795	840	910	5	42	24	36	2320	860	Tr65×20(P10)LH	F30	2020	38	760	2079
	800	1000	900	950	1025	5	42	24	39	3200	1200	Tr70×20(P10)LH	F30	3120	44	880	3228
	900	1100	1000	1050	1125	5	44	28	39	4400	1200	Tr75×20(P10)LH	F35	4570	49	980	3708
	1000	1200	1115	1170	1255	5	46	28	42	4700	1200	Tr80×20(P10)LH	F40	6250	55	1100	5283
1200	1400	1330	1390	1485	5	52	32	48	5200	1400	Tr85×24(P12)LH	F40	8840	56	1344	7858	

Note: The torque in the table does not contain safety factor.

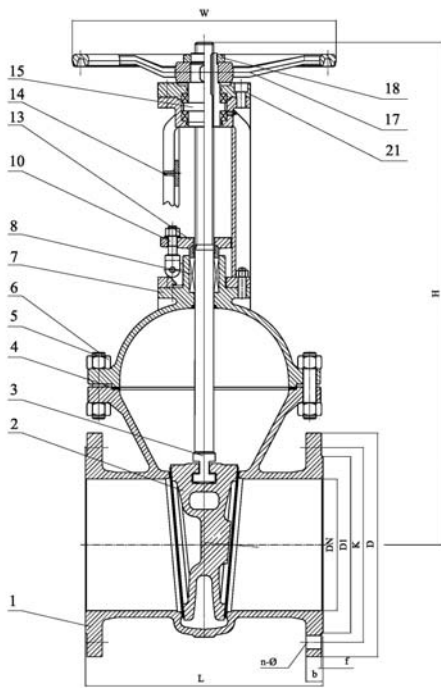


FIG.	Pressure	Material	Range
134.032	PN25	1.0619N	DN150-DN1200
154.032	PN25	1.4408	DN150-DN1200

Design and manufacture acc. :
AD 2000 A4
ATEX 2014/34/EU
EN 1984.
Face to face : EN558-1 Ser.15
Pipe conn. flange: EN1092-1.
Actuator conn. flange: ISO 5210
Test acc. : EN12266.
TA-Luft Packing & Gasket
Temperature range :
-29 °C~ +425 °C(1.0619N)
-196 °C~ +600 °C(1.4408)

Material list

NO.	Part	Material	
		FIG. 154.032	FIG. 134.032
1	Body	1.4408 + STL	1.0619N+13Cr
2	Wedge	1.4408	1.0619N+13Cr / 1.4006(<DN100)
3	Stem	1.4401	1.4021
4	Body seal	TA-Luft Gasket	TA-Luft Gasket
5	Bolts	A4-70/A2-70	1.7225(GC)
6	Nut	A4-70/A2-70	1.1181(YK)
7	Bonnet	1.4408	1.0619N
8	Packing	TA-Luft Packing	TA-Luft Packing
10	Bolt	A4-70/A2-70	1.7225(GC)
13	Gland flange	1.4408	1.0619N
14	Yoke	1.4408	1.0619N
15	Stem nut	GGG 40.3	GGG 40.3
17	Handwheel	GGG 40.3	GGG 40.3
18	Lock nut	1.4021	1.1181
21	ISO-Flange	1.4401	C22.8

Dimension list

PN	DN	L	D1	K	D	f	b	n	φ	H	W	Stem	ISO-flange	Torque (N.m)	Number of turn	Hub	WT. (KG)
25	150	350	218	250	300	3	28	8	26	670	400	Tr28×5LH	F14	90	34	170	114
	200	400	278	310	360	3	30	12	26	830	400	Tr32×6LH	F14	160	36	216	164
	250	450	335	370	425	3	32	12	30	955	450	Tr36×6LH	F14	220	46	276	272
	300	500	395	430	485	4	34	16	30	1145	500	Tr40×7LH	F14	330	46	322	413
	350	550	450	490	555	4	38	16	33	1210	500	Tr40×7LH	F16	420	53	371	426
	400	600	505	550	620	4	40	16	36	1390	600	Tr44×8LH	F16	500	53	424	631
	500	700	615	660	730	4	44	20	36	1730	700	Tr50×8LH	F25	750	67	536	1091
	600	800	720	770	845	5	46	20	39	2120	750	Tr60×9LH	F30	1300	72	648	1348
	700	900	820	875	960	5	50	24	42	2320	860	Tr65×20(P10)LH	F35	2380	38	760	2183
	800	1000	930	990	1085	5	54	24	48	3200	1200	Tr70×20(P10)LH	F35	3650	44	880	3389
	900	1100	1030	1090	1185	5	58	28	48	4400	1200	Tr75×20(P10)LH	F40	5290	49	980	3893
	1000	1200	1140	1210	1320	5	62	28	56	4700	1200	Tr80×20(P10)LH	F40	7560	55	1100	5547
1200	1400	1350	1420	1530	5	70	32	56	5200	1400	Tr85×24(P12)LH	F48	9870	56	1344	8251	

Note: The torque in the table does not contain safety factor.

Edit: FengChunyan
 Suzhou Fleu valve Co.Ltd
 No.767 Huagang Road

Checking: WangHuanyu
 Tel : 0086 512 63430669
 Fax : 0086 512 63409789

Approved: ZWS
 Date: 14.Jan.2022
 E-mail : szsales@fleu-valve.com
 http : //www.fleu-valve.com

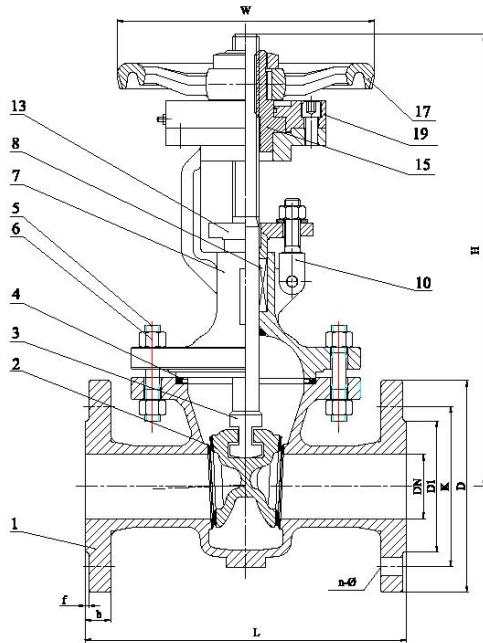


FIG.	Pressure	Material	Range
135.032	PN40	1.0619N	DN50-DN125
155.032	PN40	1.4408	DN50-DN125

Design and manufacture acc. :

AD 2000 A4

ATEX 2014/34/EU

EN 1984.

Face to face : EN558-1 Ser.26

Pipe conn. flange: EN1092-1.

Actuator conn. flange: ISO 5210

Test acc. : EN12266.

TA-Luft Packing & Gasket

Temperature range :

-29°C~ +425°C(1.0619N)

-196°C~ +600°C(1.4408)

Material list

NO.	Part	Material	
		FIG. 155.032	FIG. 135.032
1	Body	1.4408 / 1.4408 + STL (>DN100)	1.0619N+13Cr
2	Wedge	1.4408	1.0619N+13Cr / 1.4006(≤DN100)
3	Stem	1.4401	1.4021
4	Body seal	TA-Luft Gasket	TA-Luft Gasket
5	Bolts	A4-70/A2-70	1.7225(GC)
6	Nut	A4-70/A2-70	1.1181(YK)
7	Bonnet	1.4408	1.0619N
8	Packing	TA-Luft Packing	TA-Luft Packing
10	Fork bolt	A4-70/A2-70	1.7225(GC)
13	Gland flange	1.4408	1.0619N
15	Stem nut	GGG 40.3	GGG 40.3
17	Handwheel	GGG 40.3	GGG 40.3
19	ISO-Flange	1.4401	C22.8

Dimension list

PN	DN	L	D1	K	D	f	b	n	φ	H	W	Stem	ISO-flange	Torque (N.m)	Number of turn	Hub	WT. (KG)
40	50	250	102	125	165	3	20	4	18	340	200	Tr20×4LH	F10	35	15	60	26.8
	65	290	122	145	185	3	22	8	18	415	39.3	Tr24×5LH	F10	40	17	85	39.3
	80	310	138	160	200	3	24	8	18	420	250	Tr24×5LH	F10	50	19	95	42.8
	100	350	162	190	235	3	24	8	22	485	250	Tr26×5LH	F10	55	23	115	63.6
	125	400	188	220	270	3	26	8	26	590	350	Tr26×5LH	F14	90	29	145	88

Note: The torque in the table does not contain safety factor.

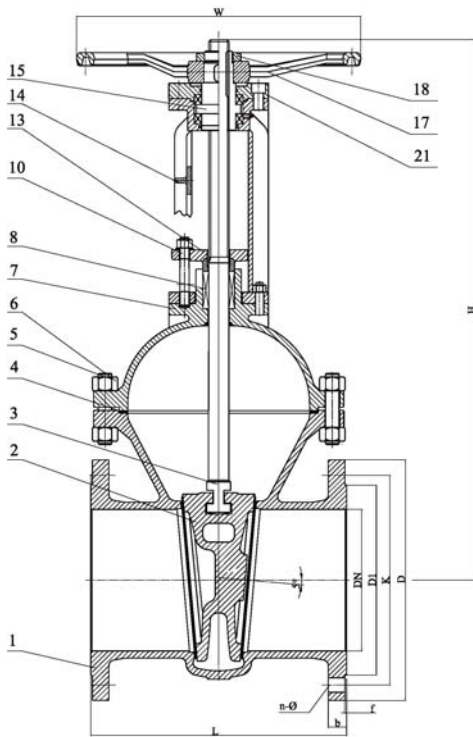


FIG.	Pressure	Material	Range
135.032	PN40	1.0619N	DN150-DN600
155.032	PN40	1.4408	DN150-DN600

Design and manufacture acc. :

AD 2000 A4

ATEX 2014/34/EU

EN 1984.

Face to face : EN558-1 Ser.26

Pipe conn. flange: EN1092-1.

Actuator conn. flange: ISO 5210

Test acc. : EN12266.

TA-Luft Packing & Gasket

Temperature range :

-29°C~ +425°C(1.0619N)

-196°C~ +600°C(1.4408)

Material list

NO.	Part	Material	
		FIG. 155.032	FIG. 135.032
1	Body	1.4408 + STL	1.0619N+13Cr
2	Wedge	1.4408	1.0619N+13Cr / 1.4006(≤DN100)
3	Stem	1.4401	1.4021
4	Body seal	TA-Luft Gasket	TA-Luft Gasket
5	Bolts	A4-70/A2-70	1.7225(GC)
6	Nut	A4-70/A2-70	1.1181(YK)
7	Bonnet	1.4408	1.0619N
8	Packing	TA-Luft Packing	TA-Luft Packing
10	Bolt	A4-70/A2-70	1.7225(GC)
13	Gland flange	1.4408	1.0619N
14	Yoke	1.4408	1.0619N
15	Stem nut	GGG 40.3	GGG 40.3
17	Handwheel	GGG 40.3	GGG 40.3
18	Lock nut	1.4021	1.1181
21	ISO-Flange	1.4401	C22.8

Dimension list

PN	DN	L	D1	K	D	f	b	n	φ	H	W	Stem	ISO-flange	Torque (N.m)	Number of turn	Hub	WT. (KG)
40	150	450	218	250	300	3	28	8	26	670	400	Tr28×5LH	F14	100	34	170	118
	200	550	285	320	375	3	34	12	30	830	400	Tr32×6LH	F14	170	36	216	196
	250	650	345	385	450	3	38	12	33	955	450	Tr36×6LH	F14	230	46	276	339
	300	750	410	450	515	4	42	16	33	1145	500	Tr44×7LH	F14	350	40	320	495
	350	850	465	510	580	4	46	16	36	1210	500	Tr46×8LH	F16	450	53	371	757
	400	950	535	585	660	4	50	16	39	1390	600	Tr48×8LH	F16	550	53	424	1004
	500	1150	615	670	755	4	52	20	39	1730	700	Tr55×9LH	F25	800	67	536	1567
600	1350	735	795	890	5	60	20	48	2120	750	Tr65×20(P10)LH	F30	1500	32	640	2810	

Note: The torque in the table does not contain safety factor.

Edit: FengChunyan
Suzhou Fleu valve Co.Ltd
No.767 Huagang Road

Checking: WangHuanyu
Tel : 0086 512 63430669
Fax : 0086 512 63409789

Approved: ZWS
Date: 14.Jan.2022
E-mail : szsales@fleu-valve.com
http : //www.fleu-valve.com

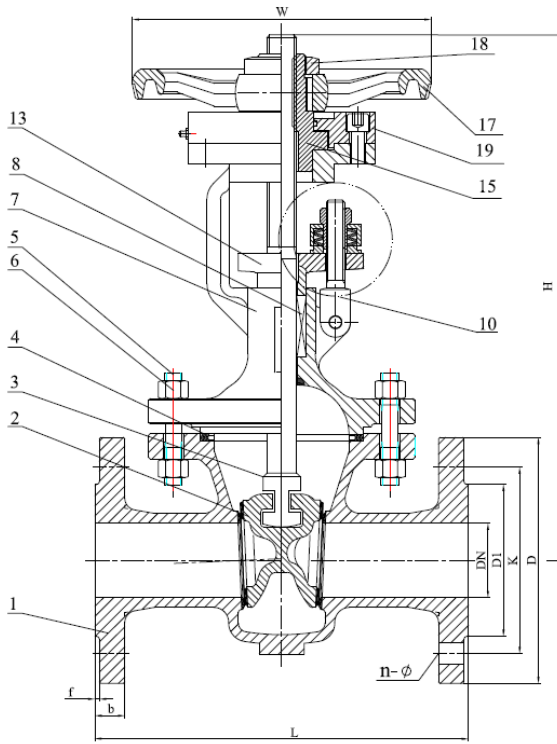
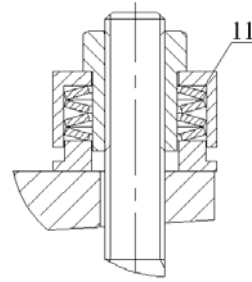


FIG.	Pressure	Material	Range
133.032 + spring load system	PN16	1.0619N	DN50-DN125
134.032 + spring load system	PN25	1.0619N	DN50-DN125
153.032 + spring load system	PN16	1.4408	DN50-DN125
154.032 + spring load system	PN25	1.4408	DN50-DN125



spring load system

Design and manufacture acc. :
AD 2000 A4
ATEX 2014/34/EU
EN 1984.
Face to face : EN558-1 Ser.15
Pipe conn. flange: EN1092-1.
Actuator conn. flange: ISO 5210
Test acc. : EN12266.
TA-Luft Packing & Packing
Temperature range :
-29°C ~ +425°C (1.0619N)
-196°C ~ +600°C (1.4408)

Material list

NO.	Part	Material	
		FIG. 153.032+spring load system / 154.032 + spring load system	FIG. 133.032+ spring load system/ 134.032 + spring load system
1	Body	1.4408 / 1.4408 + STL (>DN100)	1.0619N+13Cr
2	Wedge	1.4408	1.0619N+13Cr / 1.4006(≤DN100)
3	Stem	1.4401	1.4021
4	Body seal	TA-Luft Gasket	TA-Luft Gasket
5	Bolts	A4-70/A2-70	1.7225(GC)
6	Nut	A4-70/A2-70	1.1181(YK)
7	Bonnet	1.4408	1.0619N
8	Packing	TA-Luft Packing	TA-Luft Packing
10	Fork bolt	A4-70/A2-70	1.7225(GC)
11	Belleville spring	51CrV4	51CrV4
13	Gland flange	1.4408	1.0619N
15	Stem nut	GGG 40.3	GGG 40.3
17	Handwheel	GGG 40.3	GGG 40.3
18	Lock nut	1.4021	1.1181
19	ISO-Flange	1.4401	C22.8

Dimension list

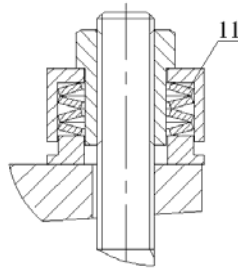
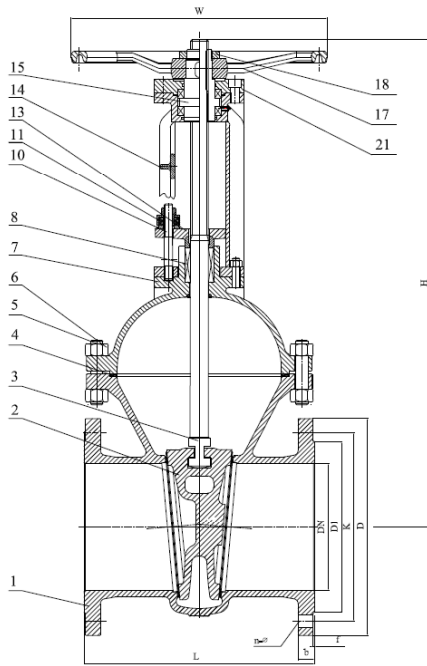
PN	DN	L	D1	K	D	f	b	n	φ	H	W	Stem	ISO-flange	Torque (N.m)	Number of turn	Hub	WT. (KG)
16	65	270	122	145	185	3	18	4	18	425	250	Tr24×5LH	F10	40	17	85	37.3
	80	280	138	160	200	3	20	8	18	420	250	Tr24×5LH	F10	45	19	95	40
	100	300	158	180	220	3	20	8	18	480	250	Tr26×5LH	F10	50	23	115	55.7
	125	325	188	210	250	3	22	8	18	590	350	Tr26×5LH	F10	80	29	145	77.3
25	65	270	122	145	185	3	22	8	18	425	250	Tr24×5LH	F10	40	17	85	37.3
	80	280	138	160	200	3	24	8	18	420	250	Tr24×5LH	F10	45	19	95	40
	100	300	162	190	235	3	24	8	22	500	250	Tr26×5LH	F10	50	23	115	56.8
	125	325	188	220	270	3	26	8	26	590	350	Tr26×5LH	F10	80	29	145	85.1
16/25	50	250	102	125	165	3	20	4	18	340	200	Tr20×4LH	F10	35	15	60	26.8

Note: The torque in the table does not contain safety factor.

Edit: FengChunyan
 Suzhou Fleu valve Co.Ltd
 No.767 Huagang Road

Checking: WangHuanyu
 Tel : 0086 512 63430669
 Fax : 0086 512 63409789

Approved: ZWS
 Date: 14.Jan.2022
 E-mail : szsales@fleu-valve.com
 http : //www.fleu-valve.com



spring load system

FIG.	Pressure	Material	Range
133.032 + spring load system	PN16	1.0619N	DN150-DN1200
153.032 + spring load system	PN16	1.4408	DN150-DN1200

Design and manufacture acc. :
AD 2000 A4
ATEX 2014/34/EU
EN 1984.
Face to face : EN558-1 Ser.15
Pipe conn. flange: EN1092-1.
Actuator conn. flange: ISO 5210
Test acc. : EN12266.
TA-Luft Packing & Packing
Temperature range :
-29°C~ +425°C(1.0619N)
-196°C~ +600°C(1.4408)

Material list

NO.	Part	Material	
		FIG. 153.032 + spring load system	FIG. 133.032 + spring load system
1	Body	1.4408 + STL	1.0619N+13Cr
2	Wedge	1.4408	1.0619N+13Cr / 1.4006(≤DN100)
3	Stem	1.4401	1.4021
4	Body seal	TA-Luft Gasket	TA-Luft Gasket
5	Bolts	A4-70/A2-70	1.7225(GC)
6	Nut	A4-70/A2-70	1.1181(YK)
7	Bonnet	1.4408	1.0619N
8	Packing	TA-Luft Packing	TA-Luft Packing
10	Bolt	A4-70/A2-70	1.7225(GC)
11	Belleville spring	51CrV4	51CrV4
13	Gland flange	1.4408	1.0619N
14	Yoke	1.4408	1.0619N
15	Stem nut	GGG 40.3	GGG 40.3
17	Handwheel	GGG 40.3	GGG 40.3
18	Lock nut	1.4021	1.1181
21	ISO-Flange	1.4401	C22.8

Dimension list

PN	DN	L	D1	K	D	f	b	n	φ	H	W	Stem	ISO-flange	Torque (N.m)	Number of turn	Hub	WT. (KG)
16	150	350	212	240	285	3	22	8	22	670	400	Tr28×5LH	F10	90	34	170	107
	200	400	268	295	340	3	24	12	22	830	400	Tr32×6LH	F14	150	36	216	152
	250	450	320	355	405	3	26	12	26	955	450	Tr36×6LH	F14	200	46	276	262
	300	500	378	410	460	4	28	12	26	1145	500	Tr40×7LH	F14	310	46	322	405
	350	550	438	470	520	4	30	16	26	1210	500	Tr40×7LH	F16	400	53	371	426
	400	600	490	525	580	4	32	16	30	1390	600	Tr44×8LH	F16	450	53	424	630
	500	700	610	650	715	4	36	20	33	1730	700	Tr50×8LH	F25	700	67	536	1015
	600	800	725	770	840	5	40	20	36	2120	750	Tr60×9LH	F30	1200	72	648	1309
	700	900	795	840	910	5	42	24	36	2320	860	Tr65×20(P10)LH	F30	2020	38	760	2079
	800	1000	900	950	1025	5	42	24	39	3200	1200	Tr70×20(P10)LH	F30	3120	44	880	3228
	900	1100	1000	1050	1125	5	44	28	39	4400	1200	Tr75×20(P10)LH	F35	4570	49	980	3708
	1000	1200	1115	1170	1255	5	46	28	42	4700	1200	Tr80×20(P10)LH	F40	6250	55	1100	5283
1200	1400	1330	1390	1485	5	52	32	48	5200	1400	Tr85×24(P12)LH	F40	8840	56	1344	7858	

Note: The torque in the table does not contain safety factor.

Edit: FengChunyan
 Suzhou Fleu valve Co.Ltd
 No.767 Huagang Road

Checking: WangHuanyu
 Tel : 0086 512 63430669
 Fax : 0086 512 63409789

Approved: ZWS
 Date: 14.Jan.2022
 E-mail : szsales@fleu-valve.com
 http : //www.fleu-valve.com

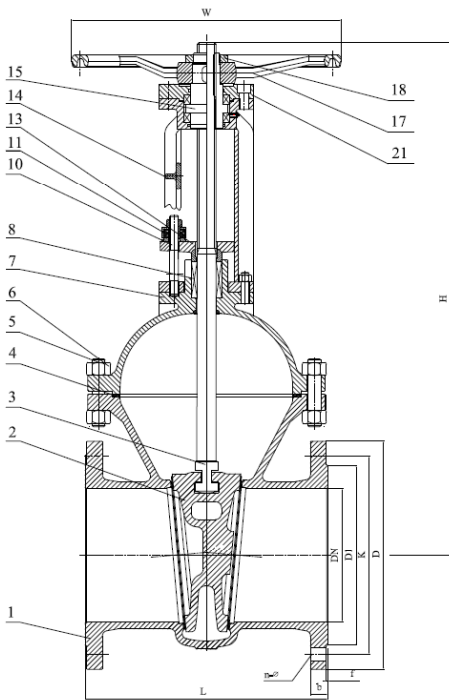
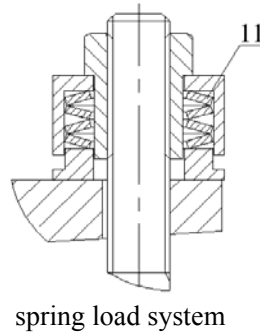


FIG.	Pressure	Material	Range
134.032 + spring load system	PN25	1.0619N	DN150-DN1200
154.032 + spring load system	PN25	1.4408	DN150-DN1200



Design and manufacture acc. :
AD 2000 A4
ATEX 2014/34/EU
EN 1984.
Face to face : EN558-1 Ser.15
Pipe conn. flange: EN1092-1.
Actuator conn. flange: ISO 5210
Test acc. : EN12266.
TA-Luft Packing & Packing
Temperature range :
-29°C~ +425°C(1.0619N)
-196°C~ +600°C(1.4408)

Material list

NO.	Part	Material	
		FIG. 154.032 + spring load system	FIG. 134.032 + spring load system
1	Body	1.4408 + STL	1.0619N+13Cr
2	Wedge	1.4408	1.0619N+13Cr / 1.4006(≤DN100)
3	Stem	1.4401	1.4021
4	Body seal	TA-Luft Gasket	TA-Luft Gasket
5	Bolts	A4-70/A2-70	1.7225(GC)
6	Nut	A4-70/A2-70	1.1181(YK)
7	Bonnet	1.4408	1.0619N
8	Packing	TA-Luft Packing	TA-Luft Packing
10	Bolt	A4-70/A2-70	1.7225(GC)
11	Belleville spring	51CrV4	51CrV4
13	Gland flange	1.4408	1.0619N
14	Yoke	1.4408	1.0619N
15	Stem nut	GGG 40.3	GGG 40.3
17	Handwheel	GGG 40.3	GGG 40.3
18	Lock nut	1.4021	1.1181
21	ISO-Flange	1.4401	C22.8

Dimension list

PN	DN	L	D1	K	D	f	b	n	φ	H	W	Stem	ISO-flange	Torque (N.m)	Number of	Hub	WT. (KG)
25	150	350	218	250	300	3	28	8	26	670	400	Tr28×5LH	F14	90	34	170	114
	200	400	278	310	360	3	30	12	26	830	400	Tr32×6LH	F14	160	36	216	164
	250	450	335	370	425	3	32	12	30	955	450	Tr36×6LH	F14	220	46	276	272
	300	500	395	430	485	4	34	16	30	1145	500	Tr40×7LH	F14	330	46	322	413
	350	550	450	490	555	4	38	16	33	1210	500	Tr40×7LH	F16	420	53	371	426
	400	600	505	550	620	4	40	16	36	1390	600	Tr44×8LH	F16	500	53	424	631
	500	700	615	660	730	4	44	20	36	1730	700	Tr50×8LH	F25	750	67	536	1091

Note: The torque in the table does not contain safety factor.

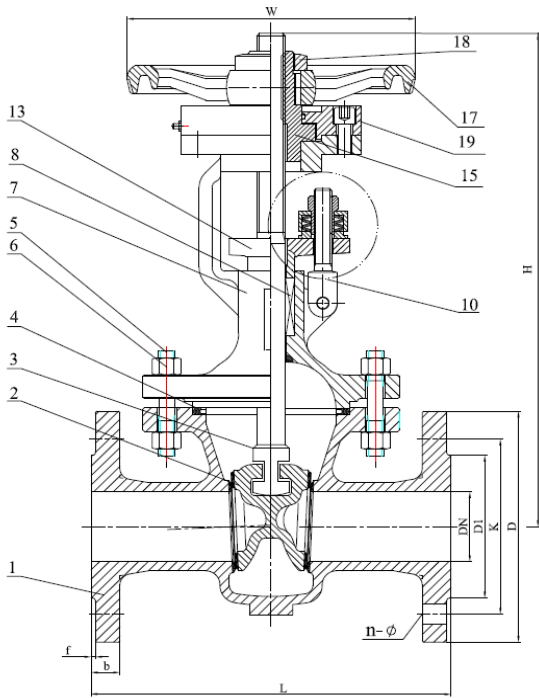
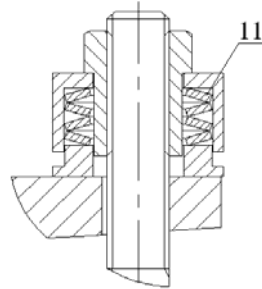


FIG.	Pressure	Material	Range
135.032 + spring load system	PN40	1.0619N	DN50-DN125
155.032 + spring load system	PN40	1.4408	DN50-DN125



spring load system

Design and manufacture acc. :
AD 2000 A4
ATEX 2014/34/EU
EN 1984.
Face to face : EN558-1 Ser.26
Pipe conn. flange: EN1092-1.
Actuator conn. flange: ISO 5210
Test acc. : EN12266.
TA-Luft Packing & Packing
Temperature range :
-29°C ~ +425°C (1.0619N)
-196°C ~ +600°C (1.4408)

Material list

NO.	Part	Material	
		FIG. 155.032 + spring load system	FIG. 135.032 + spring load system
1	Body	1.4408 / 1.4408 + STL (>DN100)	1.0619N+13Cr
2	Wedge	1.4408	1.0619N+13Cr / 1.4006(≤DN100)
3	Stem	1.4401	1.4021
4	Body seal	TA-Luft Gasket	TA-Luft Gasket
5	Bolts	A4-70/A2-70	1.7225(GC)
6	Nut	A4-70/A2-70	1.1181(YK)
7	Bonnet	1.4408	1.0619N
8	Packing	TA-Luft Packing	TA-Luft Packing
10	Fork bolt	A4-70/A2-70	1.7225(GC)
11	Belleville spring	51CrV4	51CrV4
13	Gland flange	1.4408	1.0619N
15	Stem nut	GGG 40.3	GGG 40.3
17	Handwheel	GGG 40.3	GGG 40.3
18	Lock nut	1.4021	1.1181
19	ISO-Flange	1.4401	C22.8

Dimension list

PN	DN	L	D1	K	D	f	b	n	φ	H	W	Stem	ISO-flange	Torque (N.m)	Number of turn	Hub	WT. (KG)
40	50	250	102	125	165	3	20	4	18	340	200	Tr20×4LH	F10	35	15	60	26.8
	65	290	122	145	185	3	22	8	18	415	39.3	Tr24×5LH	F10	40	17	85	39.3
	80	310	138	160	200	3	24	8	18	420	250	Tr24×5LH	F10	50	19	95	42.8
	100	350	162	190	235	3	24	8	22	485	250	Tr26×5LH	F10	55	23	115	63.6
	125	400	188	220	270	3	26	8	26	590	350	Tr26×5LH	F14	90	29	145	88

Note: The torque in the table does not contain safety factor.

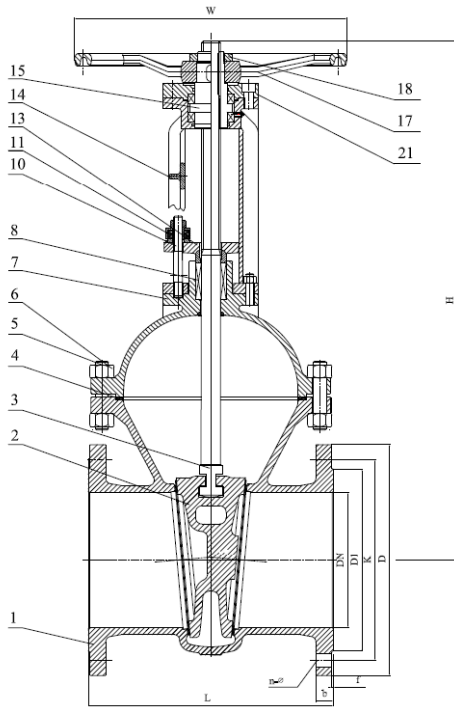
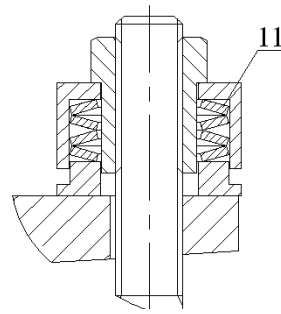


FIG.	Pressure	Material	Range
135.032 + spring load system	PN40	1.0619N	DN150-DN600
155.032 + spring load system	PN40	1.4408	DN150-DN600



spring load system

Design and manufacture acc. :
AD 2000 A4
ATEX 2014/34/EU
EN 1984.
Face to face : EN558-1 Ser.26
Pipe conn. flange: EN1092-1.
Actuator conn. flange: ISO 5210
Test acc. : EN12266.
TA-Luft Packing & Packing
Temperature range :
-29°C~ +425°C(1.0619N)
-196°C~ +600°C(1.4408)

Material list

NO.	Part	Material	
		FIG. 155.032 + spring load system	FIG. 135.032 + spring load system
1	Body	1.4408 + STL	1.0619N+13Cr
2	Wedge	1.4408	1.0619N+13Cr / 1.4006(≤DN100)
3	Stem	1.4401	1.4021
4	Body seal	TA-Luft Gasket	TA-Luft Gasket
5	Bolts	A4-70/A2-70	1.7225(GC)
6	Nut	A4-70/A2-70	1.1181(YK)
7	Bonnet	1.4408	1.0619N
8	Packing	TA-Luft Packing	TA-Luft Packing
10	Bolt	A4-70/A2-70	1.7225(GC)
11	Belleville spring	51CrV4	51CrV4
13	Gland flange	1.4408	1.0619N
14	Yoke	1.4408	1.0619N
15	Stem nut	GGG 40.3	GGG 40.3
17	Handwheel	GGG 40.3	GGG40.3
18	Lock nut	1.4021	1.1181
21	ISO-Flange	1.4401	C22.8

Dimension list

PN	DN	L	D1	K	D	f	b	n	φ	H	W	Stem	ISO-flange	Torque (N.m)	Number of turn	Hub	WT. (KG)
40	150	450	218	250	300	3	28	8	26	670	400	Tr28×5LH	F14	100	34	170	118
	200	550	285	320	375	3	34	12	30	830	400	Tr32×6LH	F14	170	36	216	196
	250	650	345	385	450	3	38	12	33	955	450	Tr36×6LH	F14	230	46	276	339
	300	750	410	450	515	4	42	16	33	1145	500	Tr44×7LH	F14	350	40	320	495
	350	850	465	510	580	4	46	16	36	1210	500	Tr46×8LH	F16	450	53	371	757
	400	950	535	585	660	4	50	16	39	1390	600	Tr48×8LH	F16	550	53	424	1004
	500	1150	615	670	755	4	52	20	39	1730	700	Tr55×9LH	F25	800	67	536	1567
600	1350	735	795	890	5	60	20	48	2120	750	Tr65×20(P10)LH	F30	1500	32	640	2810	

Note: The torque in the table does not contain safety factor.

Edit: FengChunyan
 Suzhou Fleu valve Co.Ltd
 No.767 Huagang Road

Checking: WangHuanyu
 Tel : 0086 512 63430669
 Fax : 0086 512 63409789

Approved: ZWS
 Date: 14.Jan.2022
 E-mail : szsales@fleu-valve.com
 http : //www.fleu-valve.com