

Design acc. : BS 1868
Face to face : ASME B16.10
Flange ends : ASME B16.5
Test and inspection : API 598
Body : ASTM A216 WCB
TA-Luft Gasket
Temperature range:
-29°C~+425°C

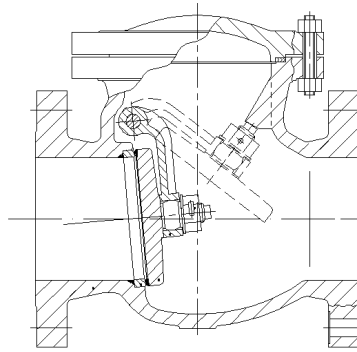


FIG : 491

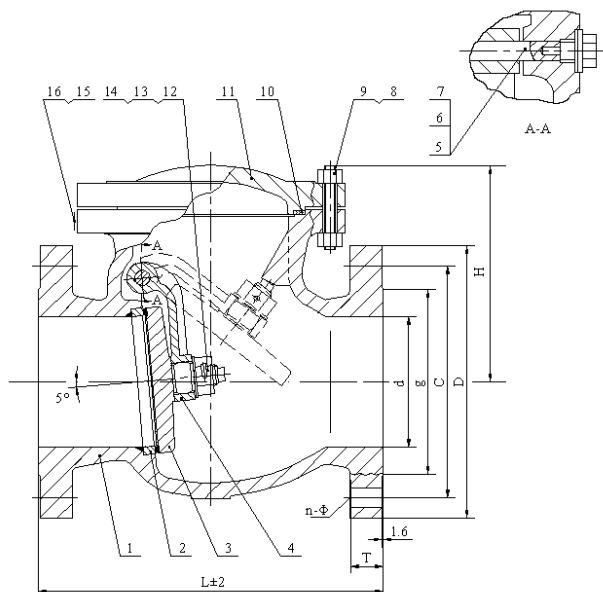


FIG.	Class	Material	Range
131.491	150LB	ASTM A216 WCB	2" - 6"
132.491	300LB	ASTM A216 WCB	2" - 6"

Design acc. : BS 1868
Face to face : ASME B16.10
Flange ends : ASME B16.5
Test and inspection : API 598
TA-Luft Gasket
Temperature range:
-29°C~+425°C

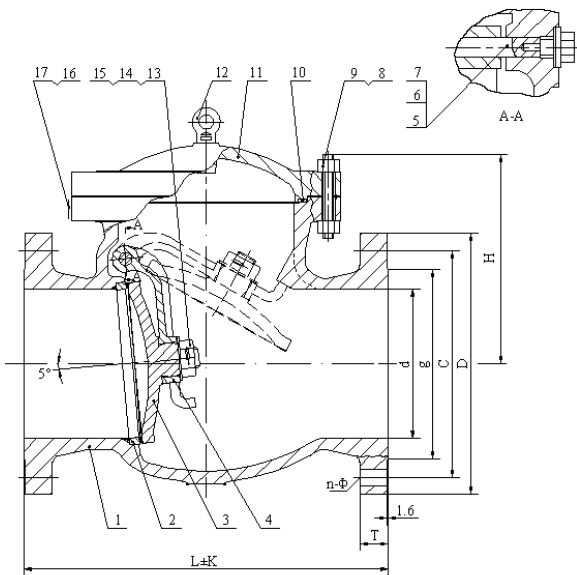
Material list

NO.	Part	Material
		FIG. 131.491 / 132.491
1	Body	ASTM A216 WCB
2	Seat	ASTM A105+STL6
3	Disc	(2" - 4")ASTM A105+13CR / ASTM A216 WCB+13CR
4	Hinge	ASTM A216 WCB
5	Plug	ASTM A276 410
6	PlugWasher	ASTM A240 304
7	Pin	ASTM A276 410
8	Bolt	ASTM A193-B7
9	Nut	ASTM A194 2H
10	Gasket	TA-Luft gasket
11	Bonnet	ASTM A216 WCB
12	Lock nut	ASTM A276 410
13	Washer	ASTM A240 410
14	Wire-steel	ASTM A276 304
15	Nameplate	ASTM A240 321
16	Rivet	ASTM A276 321

Dimension List

Class	Size	d	g	C	D	T	L	n-Φ	H	Weight(kg)
150LB	2"	51	92	120.5	152	17.5	203	4-19	143	12
	2 1/2"	64	105	139.5	178	19.5	216	4-19	165	18.1
	3"	76	127	152.5	190	20.5	241	4-19	172	22.9
	4"	102	157	190.5	229	24	292	8-19	196	36.5
	6"	152	216	241.5	279	26	356	8-22	231	58.9
300LB	2"	51	92	127	165	23	267	8-19	158	17.2
	2 1/2"	64	105	149	190	26	292	8-22	172	24.3
	3"	76	127	168.5	210	29	318	8-22	190	32.7
	4"	102	157	200	254	32	356	8-22	214	49.7
	6"	152	216	270	318	37	444	12-22	257	97.8

FIG.	Class	Material	Range
131.491	150LB	ASTM A216 WCB	8" - 12"
132.491	300LB	ASTM A216 WCB	8" - 12"



Design acc. : BS 1868
Face to face : ASME B16.10
Flange ends : ASME B16.5
Test and inspection : API 598
TA-Luft Gasket
Temperature range:
-29°C~+425°C

Material list

NO.	Part	Material
		FIG. 131.491 / 132.491 / 134.491
1	Body	ASTM A216 WCB
2	Seat	ASTM A105+STL6
3	Disc	ASTM A216 WCB+13CR
4	Hinge	ASTM A216 WCB
5	Plug	ASTM A276 410
6	PlugWasher	ASTM A240 304
7	Pin	ASTM A276 410
8	Bolt	ASTM A193-B7
9	Nut	ASTM A194 2H
10	Gasket	TA-Luft gasket
11	Bonnet	ASTM A216 WCB
12	Hook Screw	ASTM A105
13	Lock nut	ASTM A276 410
14	Gasket	ASTM A240 410
15	Wire-steel	ASTM A276 304
16	Nameplate	ASTM A240 321
17	Rivet	ASTM A276 321

Dimension List

Class	Size	d	g	C	D	T	L	K	n-Φ	H	Weight (kg)
150LB	8"	203	270	298.5	343	29	495	2	8-22	266	96.8
	10"	254	324	362	406	31	622	2	12-25	304	147.6
	12"	305	381	432	483	32	698	3.2	12-25	350	214.8
300LB	8"	203	270	330	381	42	533	2	12-25	302	157.2
	10"	254	324	387.5	445	48	622	2	16-29	356	242.2
	12"	305	381	451	521	51	711	3	16-32	399	342.4

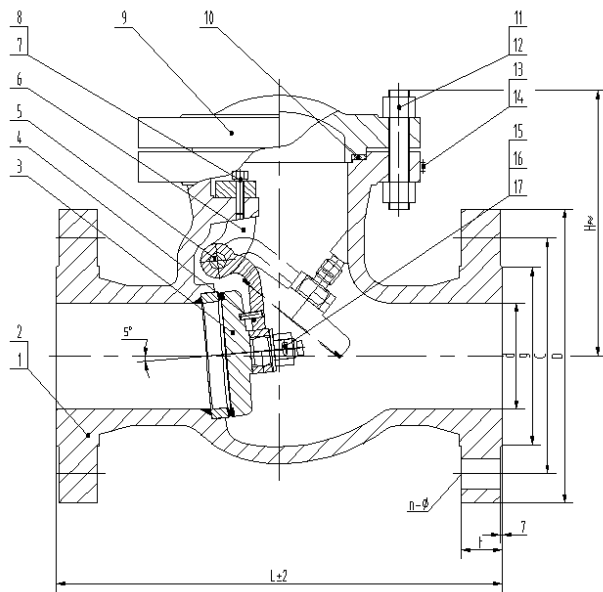


FIG.	Class	Material	Range
134.491	600LB	ASTM A216 WCB	2" - 6"

Design acc. : BS 1868
Face to face : ASME B16.10
Flange ends : ASME B16.5
Test and inspection : API 598
TA-Luft Gasket
Temperature range:
-29°C~+425°C

Material list

NO.	Part	Material
		FIG. 134.491
1	Body	ASTM A216 WCB
2	Seat	ASTM A105+STL6
3	Disc	ASTM A216 WCB+13CR
4	Hinge	ASTM A216 WCB
5	Hinge pin	ASTM A276 410
6	Hinge mount	ASTM A2216 WCB
7	Washer	ASTM A276 316
8	Stud	ASTM A320 B7M
9	Bonnet	ASTM A216 WCB
10	Gasket	TA-Luft gasket
11	Bolt	ASTM A193 B7
12	Nut	ASTM A194 2H
13	Nameplate	ASTM A240 321
14	Rivet	ASTM A276 321
15	Cage nut	ASTM A276 410
16	Lock washer	ASTM A276 410
17	Steel wire	ASTM A276 410

Dimension List

Class	Size	d	g	C	D	T	L	n-Φ	H	Weight(kg)
600LB	2"	51	92	127	165	26	292	8-19	171	21
	2 1/2"	64	105	149	190	29	330	8-22	189	28.8
	3"	76	127	168	210	32	356	8-22	207	39.5
	4"	102	157	216	273	38	432	8-25	249	70.8
	6"	152	216	292	356	48	559	12-29	320	154.3

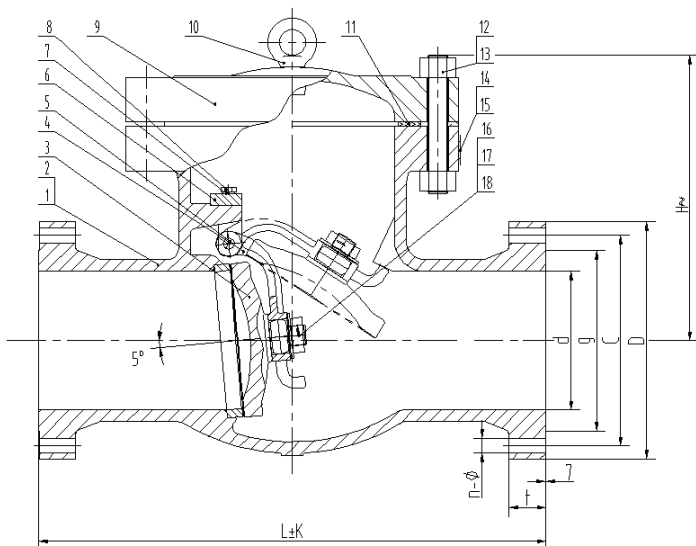


FIG.	Class	Material	Range
134.491	600LB	ASTM A216 WCB	8" - 12"

Design acc. : BS 1868
Face to face : ASME B16.10
Flange ends : ASME B16.5
Test and inspection : API 598
TA-Luft Gasket
Temperature range:
-29°C~+425°C

Material list

NO.	Part	Material
		FIG. 134.491
1	Body	ASTM A216 WCB
2	Seat	ASTM A105+STL6
3	Disc	ASTM A216 WCB+13CR
4	Hinge	ASTM A216 WCB
5	Hinge pin	ASTM A276 410
6	Hinge mount	ASTM A216 WCB
7	Washer	ASTM A276 316
8	Stud	ASTM A320 B7M
9	Bonnet	ASTM A216 WCB
10	Hook screw	ASTM A29 1025
11	Gasket	TA-Luft gasket
12	Stud	ASTM A105
13	Nut	ASTM A194 2H
14	Nameplate	ASTM A240 321
15	Rivet	ASTM A276 321
16	Cage nut	ASTM A276 410
17	Lock washer	ASTM A276 410
18	Steel wire	ASTM A276 316

Dimension List

Class	Size	d	g	C	D	T	L	K	n-Φ	H	Weight (kg)
600LB	8"	200	270	349	419	56	660	2	12-32	367	282.91
	10"	248	324	432	508	64	787	2	16-35	433	530.31
	12"	298	381	489	559	67	838	3	20-35	485	697.97