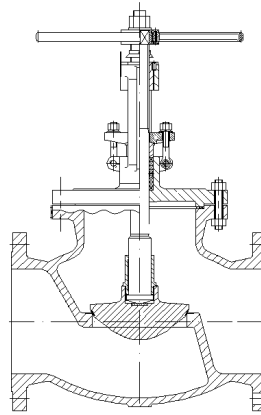


Class : 300LB
Design acc. : BS 1873
Face to face : ASME B16.10
Flange ends : ASME B16.5
Test and inspection : API 598
TA-Luft Packing
TA-Luft Gasket
Temperature range :
-29°C~ +425°C (ASTM A216 WCB)
Body : ASTM A216 WCB



Available: Packing box spring loading system acc. to ISO 15848-1

Packing box spring loading
system acc. to ISO
15848-1(for 8" and larger)

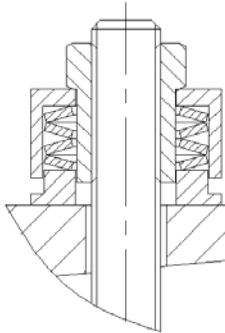


FIG : 140

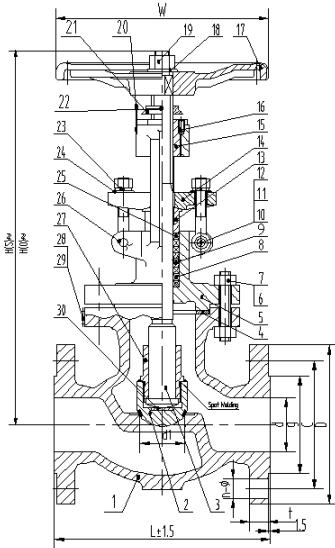


FIG.	Class	Material	Range
132.140	300LB	ASME A216 WCB	2"-4"

Design acc. : BS 1873
Face to face : ASME B16.10
Flange ends : ASME B16.5
Test and inspection : API 598
TA-Luft Packing
TA-Luft Gasket
Temperature range :
-29°C ~ +425°C

Material List

NO.	Part	Material
		FIG.132.140
1	Body	ASTM A216 WCB+13CR
2	Disc	ASTM A105+STL6
3	Stem	ASTM A182 F6a CL3
4	Gasket	TA-Luft Gasket
5	Bonnet	ASTM A216 WCB
6	Nut	ASTM A194 2H
7	Bolt	ASTM A193 B7
8	Packing	Ta-Luft packing
9	Lantern	ASTM A276 410
10	Pin	ASTM A29 1035
11	Nut	ASTM A194 2H
12	Bolt	ASTM A193 B7
13	Gland	ASTM A276 410
14	Gland flange	ASTM A216 WCB
15	Stem nut	ASTM A439 D-2
16	Screw	ASTM A29 1035
17	Handwheel	ASTM A536 60-40-18
18	Washer	ASTM A36
19	Cage nut	ASTM A194 2H
20	Ruler Board	ASTM A240 304
21	Pointer	ASTM A276 304
22	Screw	ASTM A276 431
23	Spring Washer	ASTM A29 1566
24	Washer	ASTM A36
25	Packing	Ta-Luft packing
26	Pin	ASTM A36
27	Disc cover	ASTM A182 F6a CL1
28	Nameplate	ASTM A240 321
29	Rivet	ASTM A276 321
30	Thrust Washer	ASTM A276 420

Dimension List

Class	DN	d1	d	g	C	D	t	n-Φ	L	W	H(S)	H(O)	Weight(Kg)
300LB	2"	42	51	92.1	127.0	165	20.7	8-19	267	200	377	393	23.2
	3"	69	76	127.0	168.3	210	27	8-22	318	250	440	466	46.3
	4"	90	102	157.2	200.0	255	30.2	8-22	356	350	524	557	71.9

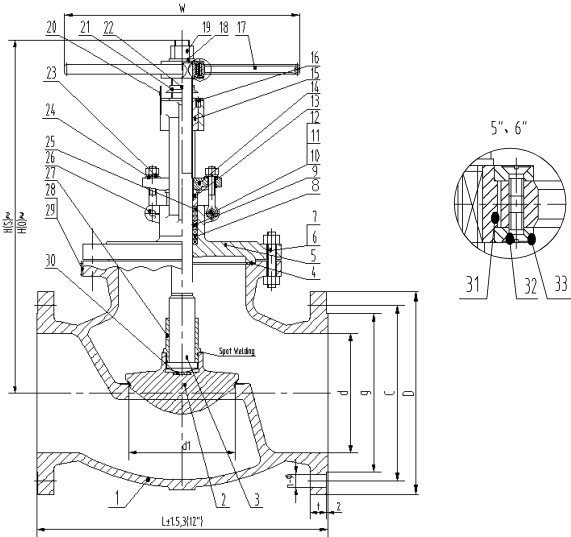


FIG.	Class	Material	Range
132.140	300LB	ASME A216 WCB	6"

Design acc. : BS 1873
Face to face : ASME B16.10
Flange ends : ASME B16.5
Test and inspection : API 598
TA-Luft Packing
TA-Luft Gasket
Temperature range :
-29°C ~ +425°C

Material List

NO.	Part	Material
		FIG.132.140
1	Body	ASTM A216 WCB+13CR
2	Disc	ASTM A105+STL6
3	Stem	ASTM A182 F6a CL3
4	Gasket	TA-Luft Gasket
5	Bonnet	ASTM A216 WCB
6	Nut	ASTM A194 2H
7	Bolt	ASTM A193 B7
8	Packing	TA-Luft packing
9	Lantern	ASTM A276 410
10	Pin	ASTM A29 1035
11	Nut	ASTM A194 2H
12	Bolt	ASTM A193 B7
13	Gland	ASTM A276 410
14	Gland flange	ASTM A216 WCB
15	Stem nut	ASTM A439 D-2
16	Screw	ASTM A29 1035
17	Handwheel	ASTM A536 60-40-18
18	Washer	ASTM A36
19	Cage nut	ASTM A194 2H
20	Ruler Board	ASTM A240 304
21	Pointer	ASTM A276 304
22	Screw	ASTM A276 431
23	Spring Sleeve	ASTM A29 1566
24	Washer	ASTM A36
25	Packing	TA-Luft packing
26	Pin	ASTM A36
27	Disc cover	ASTM A182 F6a CL1
28	Nameplate	ASTM A240 321
29	Rivet	ASTM A276 321
30	Thrust Washer	ASTM A276 420
31	Impact Handwheel	ASTM A29 1045
32	Screw	ASTM A29 1035
33	Handwheel Cover	ASTM A36

Dimension List

Class	DN	d1	d	g	C	D	t	n-Φ	L	W	H(S)	H(O)	Weight(Kg)
300LB	6"	135	152	215.9	269.9	320	35	12-22	444	400	621	669	141.6

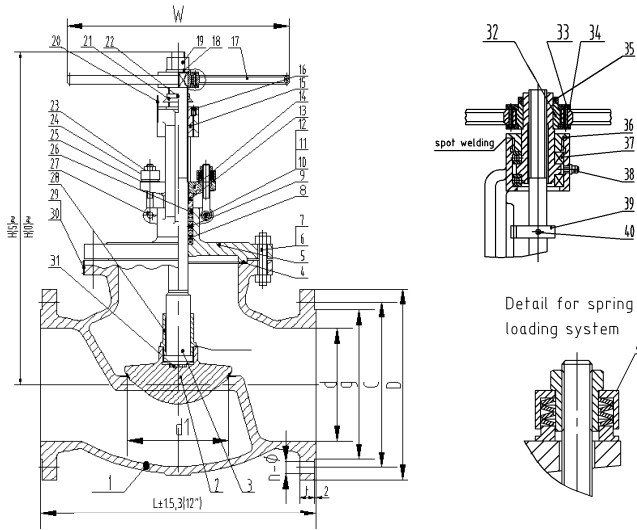


FIG.	Class	Material	Range
132.140	300LB	ASME A216 WCB	8"

Design acc. : BS 1873
Face to face : ASME B16.10
Flange ends : ASME B16.5
Test and inspection : API 598
TA-Luft Packing
TA-Luft Gasket
**Temperature range :
 -29°C ~ +425°C**

Material List

NO.	Part	Material
		FIG.132.140
1	Body	ASTM A216 WCB+13CR
2	Disc	ASTM A105+STL6
3	Stem	ASTM A182 F6a CL3
4	Gasket	TA-Luft Gasket
5	Bonnet	ASTM A216 WCB
6	Nut	ASTM A194 2H
7	Bolt	ASTM A193 B7
8	Packing	Ta-Luft packing
9	Lantern	ASTM A276 410
10	Pin	ASTM A29 1035
11	Nut	ASTM A194 2H
12	Bolt	ASTM A193 B7
13	Gland	ASTM A276 410
14	Gland flange	ASTM A216 WCB
15	Stem nut	ASTM A439 D-2
16	Screw	ASTM A29 1035
17	Handwheel	ASTM A536 60-40-18
18	Washer	ASTM A36
19	Cage nut	ASTM A194 2H
20	Ruler Board	ASTM A240 304
21	Pointer	ASTM A276 304
22	Screw	ASTM A276 431
23	Nut	ASTM A276 420
24	Cover	ASTM A276 420
25	Gasket	ASTM A276 420
26	Packing	Ta-Luft packing
27	Pin	ASTM A36
28	Disc cover	ASTM A182 F6a CL1
29	Nameplate	ASTM A240 321
30	Rivet	ASTM A276 321
31	Thrust Washer	ASTM A276 420
32	Impact Handwheel	ASTM A29 1045
33	Screw	ASTM A29 1035
34	Handwheel Cover	ASTM A36
35	Cage nut	ASTM A29 1035
36	Nut	ASTM A29 1035
37	Bearing	
38	Lubricator	ASTM A36
39	Guide	ASTM A29 1045
40	Pin	ASTM A29 4140
41	Spring	51CrV4

Dimension List

Class	DN	d1	d	g	C	D	t	n-Φ	L	W	H(S)	H(O)	Weight(Kg)
300LB	8"	182	203	269.9	330.2	380	39.7	12-25	559	500	785	847	252.8

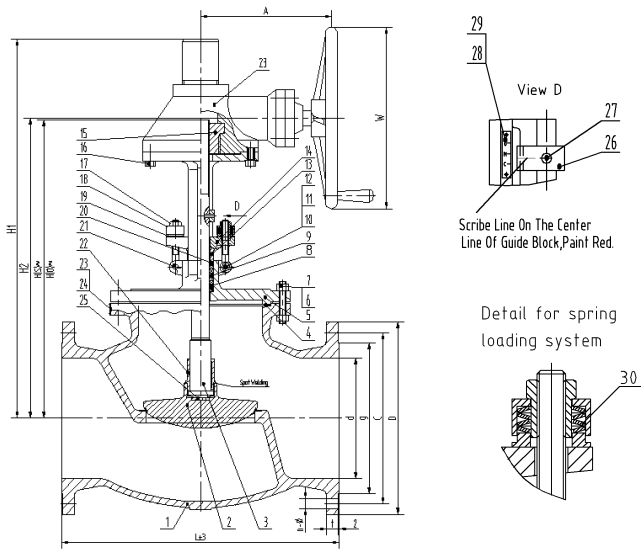


FIG.	Class	Material	Range
132.140	300LB	ASME A216 WCB	10" - 12"

Design acc. : BS 1873
Face to face : ASME B16.10
Flange ends : ASME B16.5
Test and inspection : API 598
TA-Luft Packing
TA-Luft Gasket
Temperature range : -29°C ~ +425°C

Material List

NO.	Part	Material
		FIG.132.140
1	Body	ASTM A216 WCB+13CR
2	Disc	ASTM A105+STL6
3	Stem	ASTM A182 F6a CL3
4	Gasket	TA-Luft Gasket
5	Bonnet	ASTM A216 WCB
6	Nut	ASTM A194 2H
7	Bolt	ASTM A193 B7
8	Packing	Ta-Luft packing
9	Lantern	ASTM A276 410
10	Pin	ASTM A29 1035
11	Nut	ASTM A194 2H
12	Bolt	ASTM A193 B7
13	Gland	ASTM A276 410
14	Gland flange	ASTM A216 WCB
15	Stem nut	
16	Bolt	ASTM A193 B7
17	Nut	ASTM A276 420
18	Cover	ASTM A276 420
19	Gasket	ASTM A276 420
20	Packing	Ta-Luft packing
21	Pin	ASTM A36
22	Disc cover	ASTM A182 F6a CL1
23	Nameplate	ASTM A240 321
24	Rivet	ASTM A276 321
25	Thrust Washer	ASTM A276 420
26	Guide Block	ASTM A29 1045
27	Pin	ASTM A29 4140
28	Ruler Board	ASTM A240 304
29	Rivet	ASTM A276 321
30	Spring	51CrV4

Dimension List

Class	DN	d1	d	g	C	D	t	n-Φ	L	W	A	H(S)	H(O)	H1	H2	Weight(Kg)
300LB	10"	224	254	323.8	387.4	445	46.1	16-29	622	710	422	844	920	944	871	446.1
	12"	275	305	381.0	450.8	520	49.3	16-32	711	710	592	950	1043	1078	955	609.3