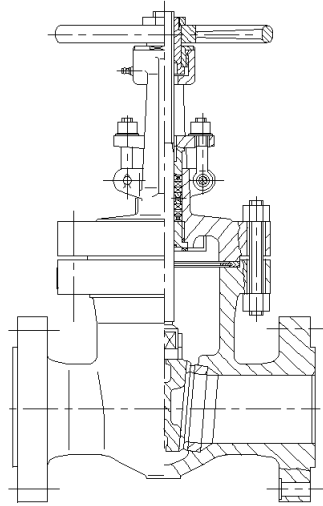


Class : 600LB
Design acc. : API 600 .
Face to face : ASME B16.10 .
Flange ends : ASME B16.5 .
Pressure text : API 598 .
TA-Luft Packing
TA-Luft Gasket
Temperature range :
-29°C~ +425°C (ASME A216 WCB)
Body : ASME A216 WCB



Available: Packing box spring loading system acc. to ISO 15848-1

Packing box spring loading
system acc. to ISO
15848-1(for 8" and larger)

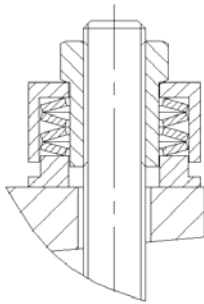


FIG : 042

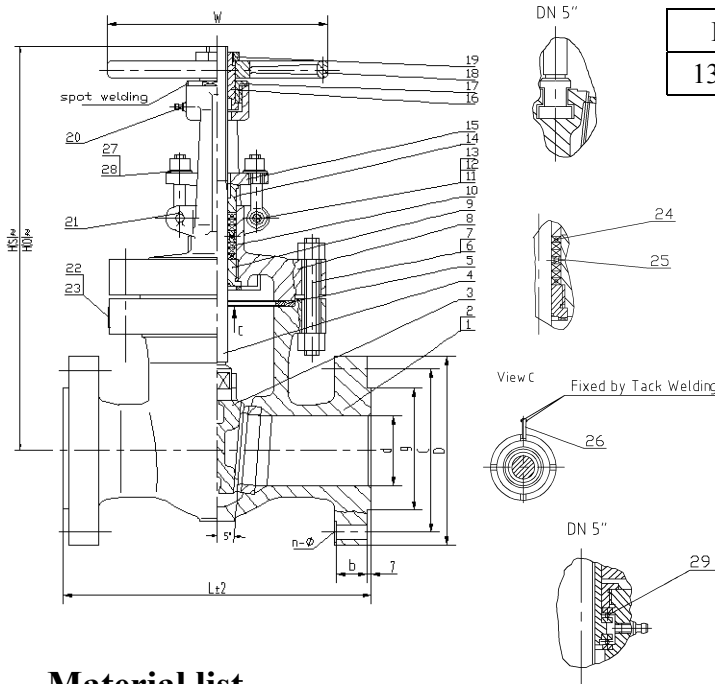


FIG.	Class	Material	Range
134.042	600LB	ASTM A216 WCB	2"-5"

Design acc. : API 600 .
Face to face : ANSI B16.10 .
Flange ends : ANSI B16.5 .
Pressure text : API 598 .
TA-Luft Packing
TA-Luft Gasket
Temperature range :
-29°C~ +425°C (ASTM A216 WCB)

Material list

NO.	Part	Material
		FIG. 134.042
1	Body	ASTM A216 WCB
2	Seat Ring	ASTM A105+STL6
3	Wedge	ASTM A216 WCB+13CR
4	Stem	ASTM A182 F6a CL2
5	Gasket	TA-Luft Gasket
6	Bolt	ASTM A193 B7
7	Nut	ASTM A194 2H
8	Bonnet	ASTM A216 WCB
9	Back Seat	ASTM A276 410
10	Packing	TA-Luft packing
11	Pin	ASTM A29 1035
12	Bolt	ASTM A193 B7
13	Nut	ASTM A194 2H
14	Gland	ASTM A276 410
15	Gland flange	ASTM A216 WCB
16	Stem nut	ASTM A439 D-2
17	Retaining nut	ASTM A29 1035
18	Handwheel	ASTM A536 60-40-18
19	Handwheel nut	ASTM A29 1035
20	Lubricator	ASTM A36
21	Split pin	ASTM A36
22	Nameplate	ASTM A240 321
23	Rivet	ASTM A276 321
24	Packing	TA-Luft packing
25	Lantern	ASTM A276 410
26	Tabs	ASTM A105
27	Spring washer	ASTM A29 1566
28	Washer	ASTM A36
29	Bearing	

Dimension List

Class	DN	d	g	C	D	b	n-Φ	L	W	H(S)	H(O)	Weight(kg)
600LB	2"	51	92.1	127	165	25.4	8-19	292	250	374	436	39.3
	3"	76	127	168.3	210	31.8	8-22	356	300	458	546	67.5
	4"	102	157.2	215.9	275	38.1	8-25	432	350	574	689	121.2
	5"	127	185.7	266.7	330	44.5	8-29	508	450	645	786	191

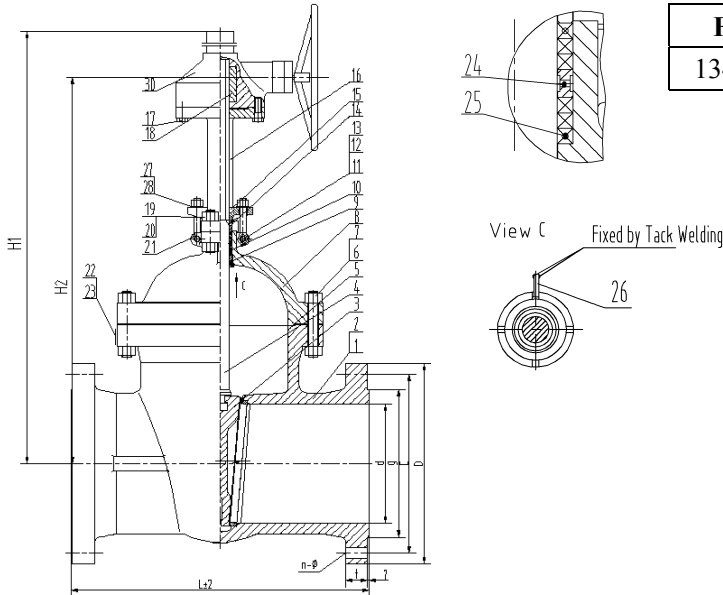


FIG.	Class	Material	Range
134.042	600LB	ASTM A216 WCB	6"

Design acc. : API 600 .
Face to face : ANSI B16.10 .
Flange ends : ANSI B16.5 .
Pressure text : API 598 .
TA-Luft Packing
TA-Luft Gasket
Temperature range :
-29°C~ +425°C (ASTM A216 WCB)

Material list

NO.	Part	Material
		FIG. 134.042
1	Body	ASTM A216 WCB
2	Seat	ASTM A105+STL6
3	Wedge	ASTM A216 WCB+13CR
4	Stem	ASTM A182 F6a CL2
5	Gasket	TA-Luft Gasket
6	Bolt	ASTM A193 B7
7	Nut	ASTM A194 2H
8	Bonnet	ASTM A216 WCB
9	Backseat	ASTM A276 410
10	Packing	TA-Luft packing
11	Pin	ASTM A29 1035
12	Bolt	ASTM A193 B7
13	Nut	ASTM A194 2H
14	Gland	ASTM A276 410
15	Gland flange	ASTM A216 WCB
16	Yoke	ASTM A216 WCB
17	Bolt	ASTM A193 B7
18	Stem nut	
19	Bolt	ASTM A193 B7
20	Nut	ASTM A194 2H
21	Pin	ASTM A36
22	Nameplate	ASTM A240 321
23	Rivet	ASTM A276 321
24	Lantern	ASTM A276 410
25	Packing	TA-Luft packing
26	Tabs	ASTM A105
27	Spring washer	ASTM A29 1566
28	Washer	ASTM A36
30	Gears	

Dimension List

Class	DN	d	g	C	D	t	n-Φ	L	H1	H2	Weight(kg)
600LB	6"	152	216	292	356	48	12-29	559	-	-	278.9

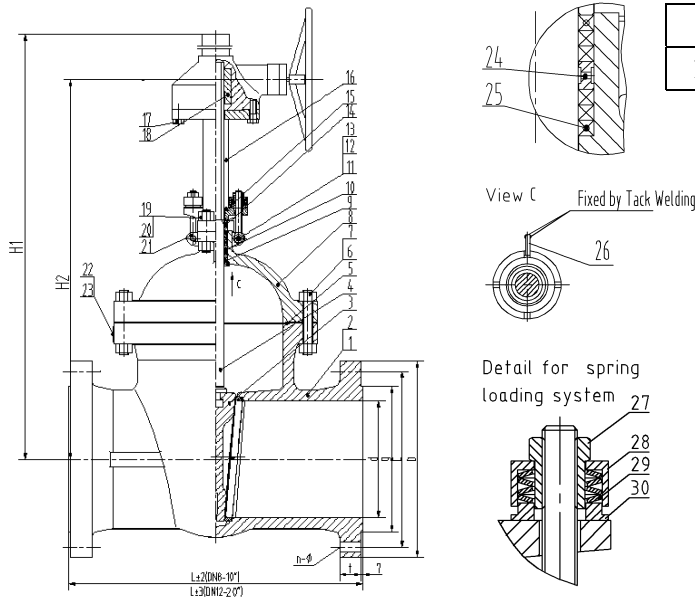


FIG.	Class	Material	Range
134.042	600LB	ASTM A216 WCB	8" - 20"

Design acc. : API 600 .
Face to face : ANSI B16.10 .
Flange ends : ANSI B16.5 .
Pressure text : API 598 .
TA-Luft Packing
TA-Luft Gasket
Temperature range :
-29°C ~ +425°C (ASTM A216 WCB)

Material list

NO	Part	Material
		FIG. 134.042
1	Body	ASTM A216 WCB
2	Seat	ASTM A105+STL6
3	Wedge	ASTM A216 WCB+13CR
4	Stem	ASTM A182 F6a CL2
5	Gasket	TA-Luft Gasket
6	Bolt	ASTM A193 B7
7	Nut	ASTM A194 2H
8	Bonnet	ASTM A216 WCB
9	Backseat	ASTM A276 410
10	Packing	TA-Luft packing
11	Pin	ASTM A29 1035
12	Bolt	ASTM A193 B7
13	Nut	ASTM A194 2H
14	Gland	ASTM A276 410
15	Gland flange	ASTM A216 WCB
16	Yoke	ASTM A216 WCB
17	Bolt	ASTM A193 B7
19	Bolt	ASTM A193 B7
20	Nut	ASTM A194 2H
21	Pin	ASTM A36
22	Nameplate	ASTM A240 321
23	Rivet	ASTM A276 321
24	Lantern	ASTM A276 410
25	Packing	TA-Luft packing
26	Tabs	ASTM A105
27	Nut	ASTM A276 420
28	Cover	ASTM A276 420
29	Spring	51CrV4
30	Gasket	ASTM A276 420

Dimension List

Class	DN	d	g	C	D	t	n-Φ	L	H1	H2	Weight(kg)
600LB	8"	200	270	349	419	56	12-32	660	-	-	432
	10"	248	324	432	508	64	16-35	787	-	-	668.7
	12"	298	381	489	559	67	20-35	838	1474	1123	866.7
	14"	327	412	527	605	69.9	20-38	889	1626	1235	1084.9
	16"	375	469.9	603.2	685	76.2	20-41	991	1821	1397	1483.9
	18"	419	533.4	654	745	82.6	20-44	1092	1984	1510	1872.7
	20"	464	584.2	723.9	815	88.9	24-44	1194	2183	1603	2685.8