

Wafer type, lift check valve
Maintenance-free
Face to face : EN558-1, G49
Flange end : EN 1092-1 PN40
Test and inspection : EN 12266-1
Body :1.4408

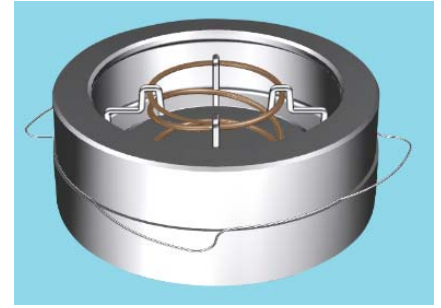
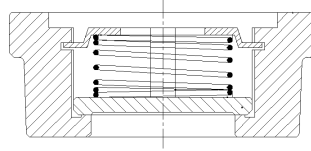
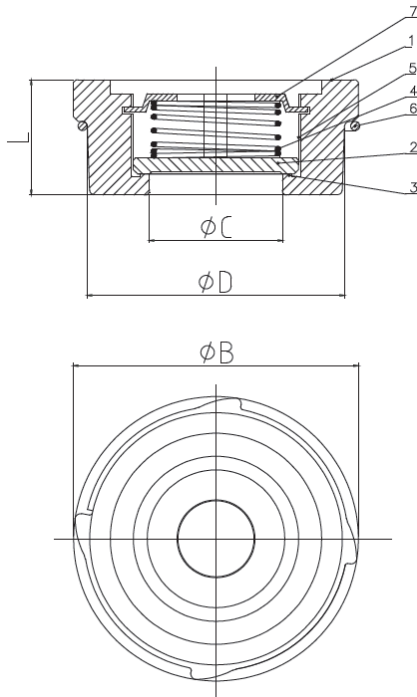


FIG : XXX.487

FIG.	PN	Material	Range
155.487	40	1.4408	DN15-DN100



Maintenance-free
Face to face : EN 558-1,G49
Connection : wafer
Test and inspection : EN 12266-1

Material List

NO.	Part	Material
		FIG. 155.487
1	Body	1.4408
2	Disc	SS316L
3	Seat	Same as body
4	Spring	1.4408
5	Guider	Same as body
6	Ring	1.4301
7	Retainer	1.4401

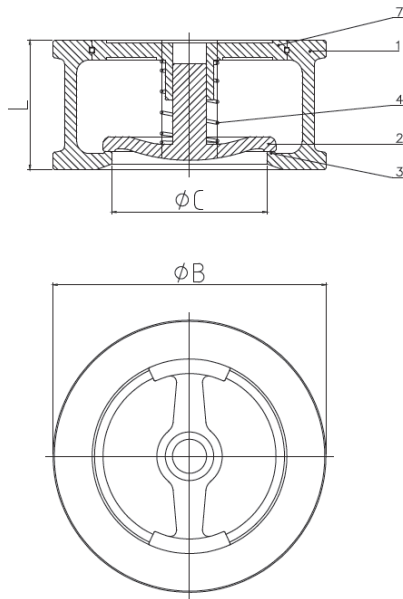
Dimension List

PN	DN	ΦB	ΦC	ΦD	L	WT(kg)
40	15	39	15	34	16	0.1
	20	46	20	40	19	0.2
	25	54	25	50	22	0.3
	32	70	32	62	28	0.4
	40	80	40	70	32	0.5
	50	94	46	85	40	1.1
	65	109	62	100	46	1.5
	80	128	75	120	50	2.3
100	150	86	140	60	3.5	

Flow data

Size	DN15	DN20	DN25	DN32	DN40	DN50	DN65	DN80	DN100
Cracking pressure (mbar)	23	23	23	24	26	26	28	29	30
Kv(m ³ /h at 1bar ΔP)	5	7	13	20	40	50	70	90	150

FIG.	PN	Material	Range
155.487	40	1.4408	DN125-DN250



Maintenance-free
Face to face : EN 558-1,G49
Connection : wafer
Test and inspection : EN 12266-1

Material List

NO.	Part	Material
		FIG. 155.487
1	Body	1.4408
2	Disc	SS316L
3	Seat	Same as body
4	Spring	1.4408
7	Retainer	1.4401

Dimension List

PN	DN	ΦB	ΦC	ΦD	L	WT(kg)
40	125	192	110	34	90	5.9
	150	218	127	40	106	8.3
	200	273	165	50	140	15.4
	250	329	200	62	146	31

Flow data

Size	DN125	DN150	DN200	DN250
Cracking pressure (mbar)	17	17	17	17
Kv(m ³ /h at 1bar ΔP)	280	350	550	1050