

Wafer type, dual plate check valve

Maintenance-free

Face to face : EN558-1, G16 for rubber seat

API 594 for metal seat

Connection: wafer

Test and inspection : EN 12266-1

Body : CF8M / WCB

Size: DN50-DN1200

Pressure rating: PN10,PN16,PN25

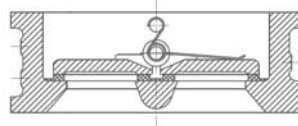


Fig.XXX.486

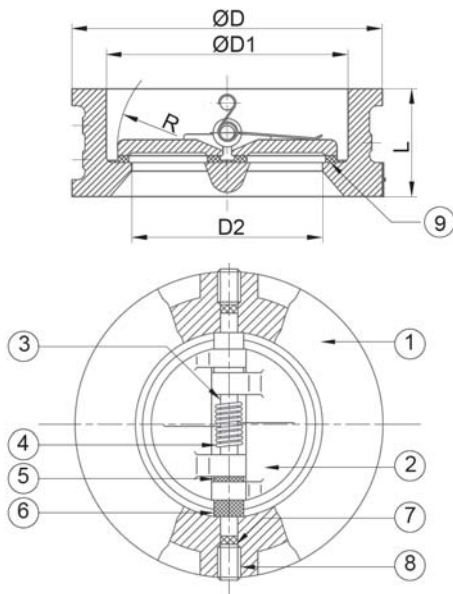


FIG.	PN	Material	Range
132.486	10	1.0619N	DN50-DN500
133.486	16	1.0619N	DN50-DN500
134.486	25	1.0619N	DN50-DN500
152.486	10	1.4408	DN50-DN500
153.486	16	1.4408	DN50-DN500
154.486	25	1.4408	DN50-DN500

Maintenance-free
Face to face :
EN 558-1,G16 for rubber seat
API 594 for metal seat
Connection : wafer
Test and inspection : EN 12266-1

Material List

NO.	Part	Metal	
		FIG. 132.486/133.486/134.486	FIG. 152.486/153.486/154.486
1	Body	1.0619N	1.4408
2	Disc	1.4308	1.4408
3	Stem	1.4301	1.4401
4	Spring	SS301	SS321
5	Bearing	PTFE for rubber seat/SS316 for metal seat	PTFE for rubber seat/SS316 for metal seat
6	Bearing	PTFE for rubber seat/SS316 for metal seat	PTFE for rubber seat/SS316 for metal seat
7	O-ring	Same as rubber seat,Graphite for metal seat	Same as rubber seat,Graphite for metal seat
8	Hex screw	SS304	SS316
9	Seat	NBR, EPDM, FPM, Metal seat	NBR, EPDM, FPM, Metal seat

Dimension List

DN	D			Rubber seat			Metal seat		
	PN10	PN16	PN25	D1	D2	L	D1	D2	L
50	109	109	109	66	46	43	56	46	60
65	129	129	129	81	60	46	73	60	67
80	144	144	144	95	75	64	88	75	73
100	164	164	164	118	97	64	108	97	73
125	194	194	196	146	112	70	132	122	86
150	220	220	226	171	147	76	160	147	98
200	275	275	286	228	199	89	201	198	127
250	330	330	343	266	244	114	266	249	146
300	380	386	403	312	295	114	315	300	181
350	440	446	460	362	340	147	355	340	184
400	491	494	517	406	390	140	405	390	191
450	541	558	567	450	440	152	455	440	203
500	596	620	627	505	490	152	505	490	219

Flow data

Size	DN50	DN65	DN80	DN100	DN125	DN150	DN200	DN250	DN300	DN350	DN400	DN450	DN500
Cracking pressure(PSI)	0.21	0.21	0.21	0.18	0.19	0.21	0.15	0.21	0.21	0.21	0.21	0.15	0.12
Cv(G.P.M.)	51	83	136	278	459	744	1445	2668	3976	5099	7478	10312	12795

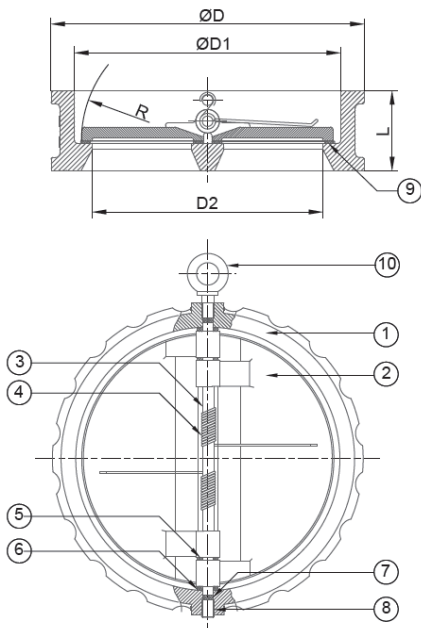


FIG.	PN	Material	Range
132.486	10	1.0619N	DN600-DN1200
133.486	16	1.0619N	DN600-DN1200
134.486	25	1.0619N	DN600-DN1200
152.486	10	1.4408	DN600-DN1200
153.486	16	1.4408	DN600-DN1200
154.486	25	1.4408	DN600-DN1200

Maintenance-free
Face to face :
EN 558-1,G16 for rubber seat
API 594 for metal seat
Connection : wafer
Test and inspection : EN 12266-1

Material List

NO.	Part	Metal	
		FIG. 132.486/133.486/134.486	FIG. 152.486/153.486/154.486
1	Body	1.0619N	1.4408
2	Disc	1.4308	1.4408
3	Stem	1.4301	1.4401
4	Spring	SS301	SS321
5	Bearing	PTFE for rubber seat/SS316 for metal seat	PTFE for rubber seat/SS316 for metal seat
6	Bearing	PTFE for rubber seat/SS316 for metal seat	PTFE for rubber seat/SS316 for metal seat
7	O-ring	Same as rubber seat,Graphite for metal seat	Same as rubber seat,Graphite for metal seat
8	Hex screw	SS304	SS316
9	Seat	NBR, EPDM, FPM, Metal seat	NBR, EPDM, FPM, Metal seat
10	Eye bolt	SS304	SS316

Dimension List

DN	D			Rubber seat			Metal seat		
	PN10	PN16	PN25	D1	D2	L	D1	D2	L
600	698	737	734	624	590	178	605	590	222
700	813	807	836	700	680	229	700	675	305
800	920	914	945	800	776	241	800	776	305
900	1020	1014	1045	910	878	241	903	878	368
1000	1127	1131	1158	1055	1030	300	1055	1030	432
1200	1344	1344		1205	1180	350	1205	1180	524

Flow data

Size	DN600	DN700	DN800	DN900	DN1000	DN1200
Cracking pressure(PSI)	0.09	0.09	0.09	0.09	0.08	0.08
Cv(G.P.M.)	21005	30925	49235	60010	72800	123900