

Design acc. : EN 13709
Face to face : EN558 G1
Flange end : EN1092-1
Test acc. : EN12266
TA-Luft Packing
TA-Luft Gasket
Temperature range :
 -29°C to +425°C (1.0619N)
 -196°C to +600°C (1.4408)
Body : 1.0619N /1.4408

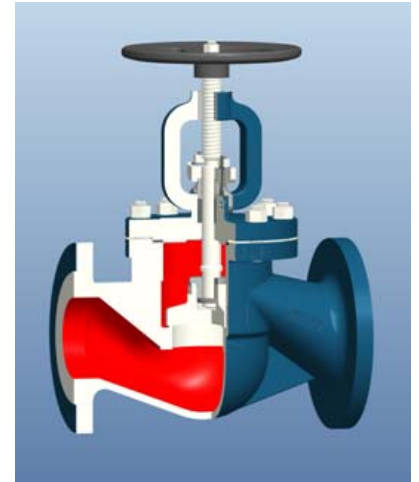
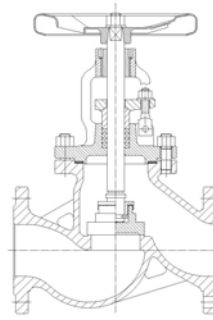


FIG : 121

Page 1 - 2

FIG : 121

Design acc. : EN 13789
Face to face : EN558 G1
Flange end : EN1092-2
Test acc. : EN12266
TA-Luft Packing
TA-Luft Gasket
Temperature range :
 -15°C~ +200°C(GG)
 -30°C~ +350°C(GGG)
Body : GG25/GGG40.3

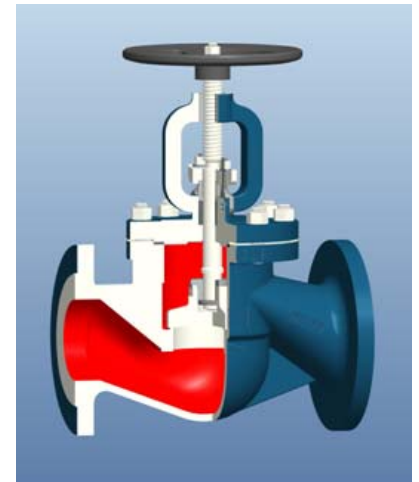
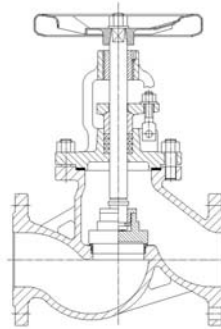
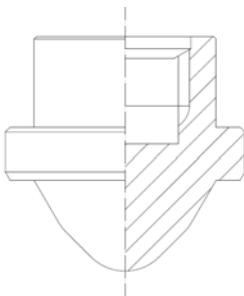


FIG : 101

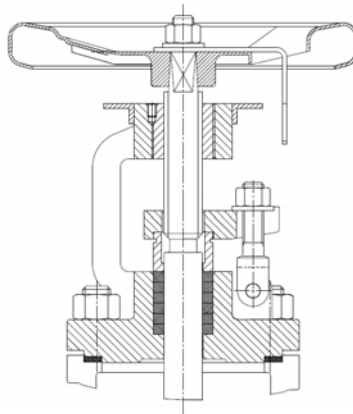
Page 3 - 4

FIG : 101

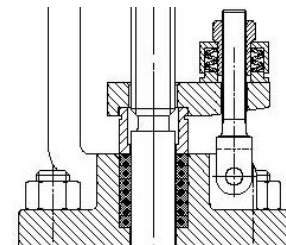
Available



regulating disc



position indicator



spring load system

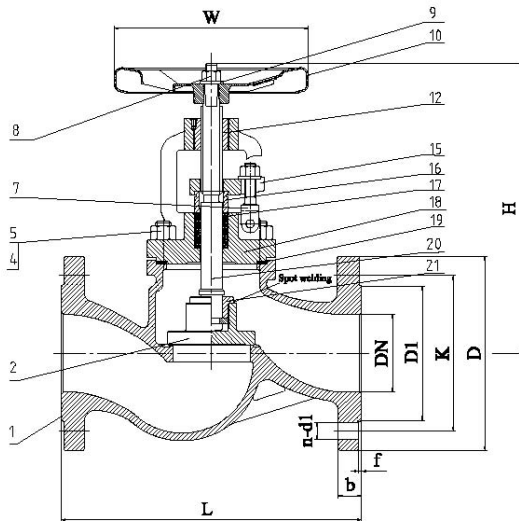
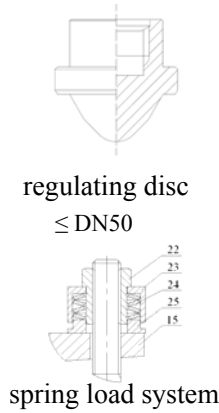


FIG.	Pressure	Material	Range
133.121	PN16	1.0619N	DN15-DN100
135.121	PN40	1.0619N	DN15-DN100
153.121	PN16	1.4408	DN15-DN100
155.121	PN40	1.4408	DN15-DN100



Design acc. : EN 13709
 Face to face : EN558 G1
 Flange end : EN1092-1
 Test acc. : EN12266-1
 TA-Luft Packing
 TA-Luft Gasket
 Temperature range :
 -29°C to +425°C (1.0619N)
 -196°C to +600°C (1.4408)

Material List

NO.	Part	Material	
		FIG.133.121/135.121	FIG.153.121/155.121
1	Body	1.0619N+13Cr	1.4408
2	Disk	1.4021	1.4401
4	Bolt	1.7225 (GC)	A4
5	Nut	1.1181(YK)	A4
7	Bolt	35	1.4571
8	Nut	35	A2
9	Gasket	35	1.4408
10	Handwheel	C10E	C10E
12	Yoke nut	0.7040	0.7040
15	Gland	1.0619N	1.4408
16	Packing gland	1.4021	1.4401
17	Packing	TA-Luft Packing	TA-Luft Packing
18	Bonnet	1.0619N	1.4408
19	Body seal	TA Luft Gasket	TA Luft Gasket
20	Stem	1.4021	1.4571
21	Disc nut	1.4301	1.4401
22	Nut	1.4006	1.4401
23	Cover	1.4006	1.4401
24	Spring	51CrV4	51CrV4
25	Gasket	1.4006	1.4401

Dimension List

PN	DN	L	D	D1	K	b	f	W	n	d1	H	Hub	Weight(KG)
16	65	290	185	122	145	18	3	180	4	18	310	15	22.6
	80	310	200	138	160	20	3	200	8	18	374	25	26.5
	100	350	220	158	180	20	3	225	8	18	377	25	52.1
16/40	15	130	95	45	65	16	2	120	4	14	232	6	4.2
	20	150	105	58	75	18	2	120	4	14	232	6	4.8
	25	160	115	68	85	18	2	140	4	14	245	8	6.6
	32	180	140	78	100	18	2	140	4	18	245	8	7.9
	40	200	150	88	110	18	3	160	4	18	295	15	11.6
40	50	230	165	102	125	20	3	160	4	18	295	15	14.7
	65	290	185	122	145	22	3	180	8	18	310	15	23.1
	80	310	200	138	160	24	3	200	8	18	374	25	27.2
	100	350	235	162	190	24	3	225	8	22	377	25	53.6

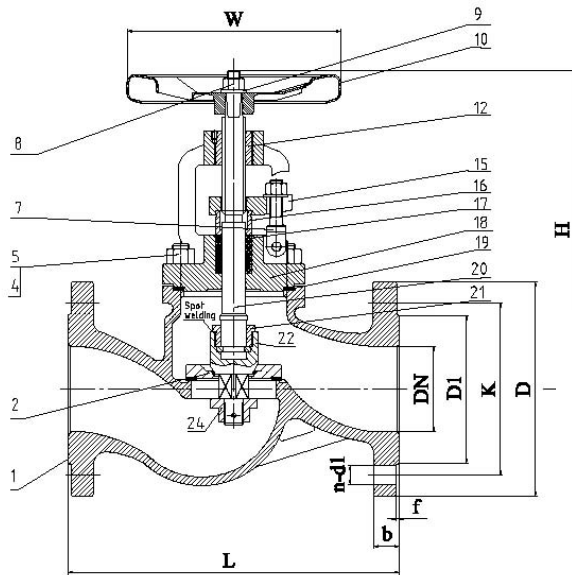
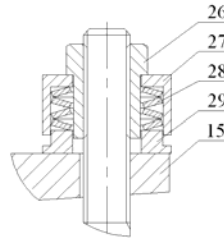


FIG.	Pressure	Material	Range
133.121	PN16	1.0619N	DN125-DN300
135.121	PN40	1.0619N	DN125-DN300
153.121	PN16	1.4408	DN125-DN300
155.121	PN40	1.4408	DN125-DN300



Design acc. : EN 13709
Face to face : EN558 G1
Flange end : EN1092-1
Test acc. : EN12266-1
TA-luft Packing
TA-Luft Gasket
Temperature range :
 -29°C to +425°C (1.0619N)
 -196°C to +600°C (1.4408)

spring load system

Material List

NO.	Part	Material	
		FIG.133.121/135.121	FIG.153.121/155.121
1	Body	1.0619N+13Cr	1.4408
2	Disk	C25(forge)+13Cr	1.4401
4	Bolt	1.7225 (GC)	A4
5	Nut	1.1181 (YK)	A4
7	Bolt	35	1.4571
8	Nut	35	A2
9	Gasket	35	1.4408
10	Handwheel	C10E	C10E
12	Yoke nut	0.7040	0.7040
15	Gland	1.0619N	1.4408
16	Packing gland	1.4021	1.4401
17	Packing	TA-Luft Packing	TA-Luft Packing
18	Bonnet	1.0619N	1.4408
19	Gasket	TA-Luft Gasket	TA-Luft Gasket
20	Stem	1.4021	1.4571
21	Disc nut	1.4021	1.4401
22	Secondary disc	1.4021	1.4401
24	Nut	A2	A4
26	Nut	1.4006	1.4401
27	Cover	1.4006	1.4401
28	Spring	51CrV4	51CrV4
29	Gasket	1.4006	1.4401

Dimension List

PN	DN	L	D	D1	K	b	f	W	n	d1	H	Weight(KG)
16	125	400	250	188	210	22	3	225	8	18	448	67
	150	480	285	212	240	22	3	300	8	22	470	109
	200	600	340	268	295	24	3	400	12	22	570	183
	250	730	405	320	355	26	3	500	12	26	780	337
	300	850	460	378	410	28	4	550	12	26	890	471
	350	980	520	438	470	30	4	750	16	26	1010	660
40	125	400	270	188	220	26	3	225	8	26	448	69
	150	480	300	218	250	28	3	300	8	26	470	113
	200	600	375	285	320	34	3	400	12	30	570	191
	250	730	450	345	385	38	3	400	12	33	625	347
	300	850	515	410	450	42	4	-	16	33	-	485

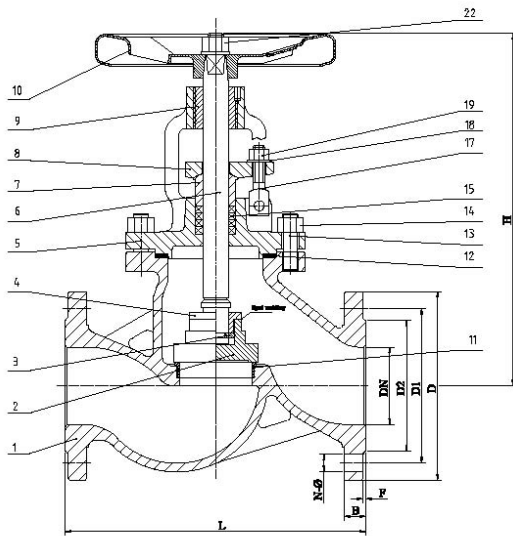
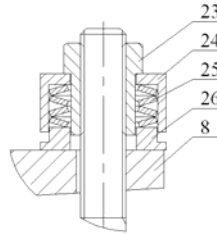


FIG.	Pressure	Material	Range
113.101	PN16	GG25	DN15-DN100
123.101	PN16	GGG40.3	DN15-DN100



spring load system

Design acc. : EN 13789
Face to face : EN558 G1
Flange end : EN1092-2
Test acc. : EN12266-1
TA-Luft Packing
TA-Luft Gasket
 Temperature range :
 -15°C~ +200°C(GG)
 -30°C~ +350°C(GGG)

Material List

NO.	Part	Material	
		FIG.113.101	FIG.123.101
1	Body	GG-25	GGG-40.3
2	Disk	1.4021	1.4021
3	Split ring	1.4021 (2Cr13)	1.4021 (2Cr13)
4	Disc screw	1.4021 (2Cr13)	1.4021 (2Cr13)
5	Bonnet	GG-25	GGG-40.3
6	Stem	1.4006 (1Cr13)	1.4006 (1Cr13)
7	Packing bushing	1.4021 (2Cr13)	1.4021 (2Cr13)
8	Gland	1.0619	1.0619
9	Stem nut	GGG-40.3	GGG-40.3
10	Hand wheel	C10E	C10E
11	Seat ring	1.4006 (1Cr13)	1.4006 (1Cr13)
12	Body seal	TA-Luft Gasket	TA-Luft Gasket
13	Bolt	1.7225 (GC)	1.7225 (GC)
14	Nut	1.1181 (YK)	1.1181 (YK)
15	Packing	TA-Luft Packing	TA-Luft Packing
17	Fork bolts	35CrMo	35CrMo
18	Gasket	Q215	Q215
19	Nut	45	45
22	Nut	C35N	C35N
23	Nut	1.4006	1.4006
24	Cover	1.4006	1.4006
25	Spring	51CrV4	51CrV4
26	Gasket	1.4006	1.4006

Dimension List

DN	PN16							H	Weight(KG)
	L	D	D1	D2	B	F	N-Φ		
15	130	95	65	45	14	2	4-14	202	3.7
20	150	105	75	58	16	2	4-14	202	4.2
25	160	115	85	68	16	2	4-14	210	4.7
32	180	140	100	78	18	2	4-18	210	6.3
40	200	150	110	88	18	3	4-18	230	9.5
50	230	165	125	102	20	3	4-18	230	12.6
65	290	185	145	122	20	3	4-18	245	18.9
80	310	200	160	138	22	3	8-18	265	23.6
100	350	220	180	158	24	3	8-18	350	38.3

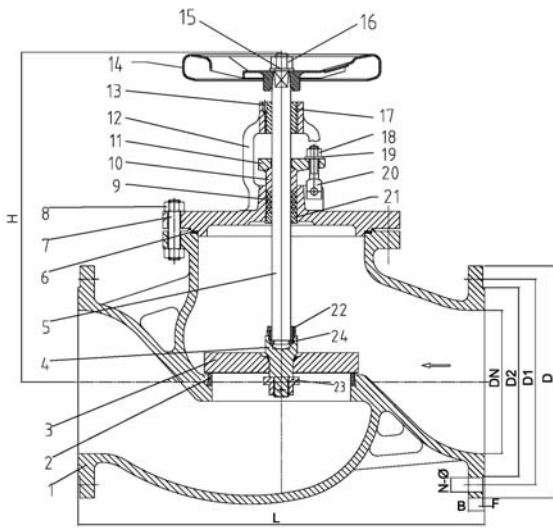
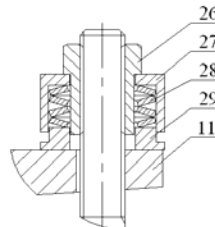


FIG.	Pressure	Material	Range
113.101	PN16	GG25	DN125-DN300
123.101	PN16	GGG40.3	DN125-DN300



spring load system

Design acc. : EN 13789
 Face to face : EN558 G1
 Flange end : EN1092-2
 Test acc. : EN12266-1
TA-Luft Packing
TA-Luft Gasket
 Temperature range :
 -15°C~ +200°C(GG)
 -30°C~ +350°C(GGG)

Material List

NO.	Part	Material	
		FIG.113.101	FIG.123.101
1	Body	GG-25	GGG-40.3
2	Seat ring	1.4006	1.4406
3	Disk	C25(forge)+13Cr	C25(forge)+13Cr
4	Secondary disc	1.4021	1.4021
5	Stem	1.4006	1.4006
6	Gasket	TA-Luft Gasket	TA-Luft Gasket
7	Bolt	1.7225 (GC)	1.7225 (GC)
8	Nut	1.1181 (YK)	1.1181 (YK)
9	Packing	TA-Luft Packing	TA-Luft Packing
10	Packing bushing	1.4021	1.4021
11	Gland	1.0619N	1.0619N
12	Bonnet	GG-25	GGG40.3
13	Screw	CK35	CK35
14	Handwheel	C10E	C10E
15	Gasket	C35N	C35N
16	Nut	C35N	C35N
17	Stem nut	GGG-40.3	GGG-40.3
20	Bolt	35CrMo	35CrMo
21	Back seal	1.4006	1.4006
22	Disc screw	1.4021	1.4021
23	Nut	1.4021	1.4021
24	Split ring	1.4021	1.4021
26	Nut	1.4006	1.4006
27	Cover	1.4006	1.4006
28	Spring	51CrV4	51CrV4
29	Gasket	1.4006	1.4006

Dimension List

DN	PN16							H	Weight(KG)
	L	D	D1	D2	B	F	N-Φ		
125	400	250	210	188	26	3	8-18	380	55.1
150	480	285	240	218	26	3	8-23	415	83.0
200	600	340	295	268	30	3	12-23	550	155
250	730	405	355	320	32	3	12-27	720	208
300	850	460	410	378	32	4	12-27	788	286