

Design acc. : EN 13709
Face to face : EN558 G1
BW ends : DIN 3239
Test acc. : EN12266
TA-Luft Packing
TA-Luft Gasket
Temperature range :
 -29°C to +425°C (1.0619N)
 -196°C to +600°C (1.4408)
Body : 1.0619N /1.4408

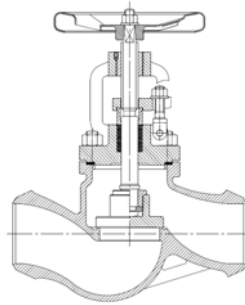


FIG : 121 - BW

Page 1 - 2

FIG : 121-BW

Design acc. : EN 13789
Face to face : EN558 G1
BW ends : DIN 3239
Test acc. : EN12266
TA-Luft Packing
TA-Luft Gasket
Temperature range :
 -15°C~ +200°C(GG)
 -30°C~ +350°C(GGG)
Body : GG25/GGG40.3

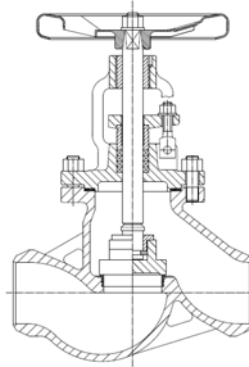
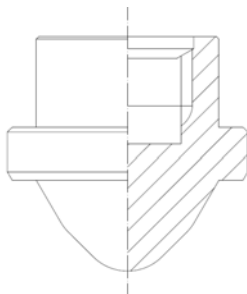


FIG : 101 - BW

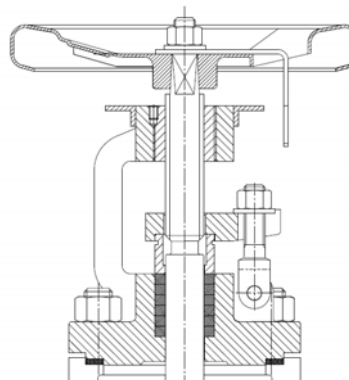
Page 3 - 4

FIG : 101-BW

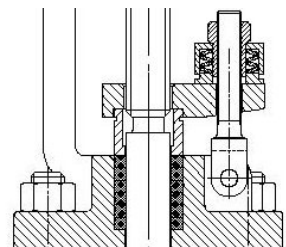
Available



regulating disc



position indicator



spring load system

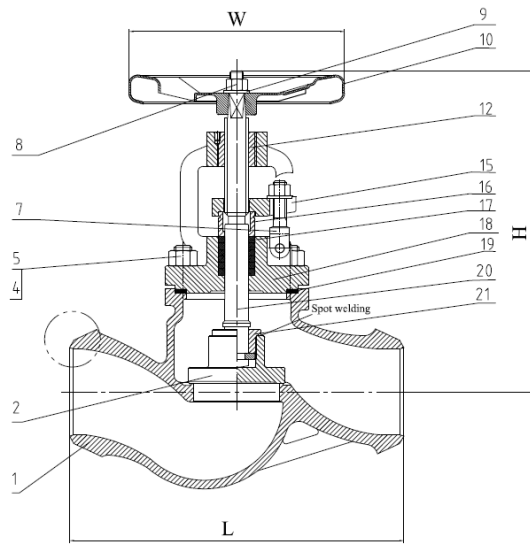
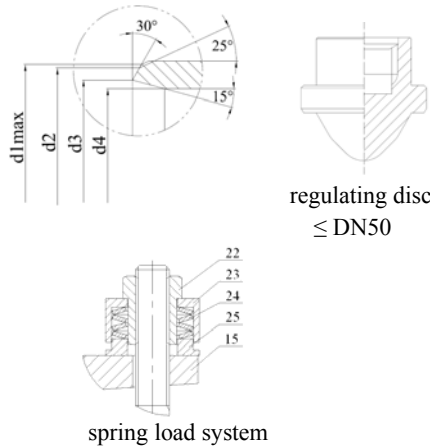


FIG.	Pressure	Material	Range
133.121-BW	PN16	1.0619N	DN15-DN100
135.121-BW	PN40	1.0619N	DN15-DN100
153.121-BW	PN16	1.4408	DN15-DN100
155.121-BW	PN40	1.4408	DN15-DN100



Design acc. : EN 13709
Face to face : EN558 G1
BW ends : DIN 3239
Test acc. : EN12266-1
TA-Luft Packing
TA-Luft Gasket
Temperature range :
 -29°C to +425°C (1.0619N)
 -196°C to +600°C (1.4408)

Material List

NO.	Part	Material	
		FIG.133.121 - BW / 135.121 - BW	FIG.153.121 - BW / 155.121 - BW
1	Body	1.0619N+13Cr	1.4408
2	Disk	1.4021	1.4401
4	Bolt	1.7225 (GC)	A4
5	Nut	1.1181(YK)	A4
7	Bolt	35	1.4571
8	Nut	35	A2
9	Gasket	35	1.4408
10	Handwheel	C10E	C10E
12	Yoke nut	0.7040	0.7040
15	Gland	1.0619N	1.4408
16	Packing gland	1.4021	1.4401
17	Packing	TA-Luft Packing	TA-Luft Packing
18	Bonnet	1.0619N	1.4408
19	Body seal	TA Luft Gasket	TA Luft Gasket
20	Stem	1.4021	1.4571
21	Disc nut	1.4301	1.4401
22	Nut	1.4006	1.4401
23	Cover	1.4006	1.4401
24	Spring	51CrV4	51CrV4
25	Gasket	1.4006	1.4401

Dimension List

PN	DN	L	d1max	d2	d3	d4	W	H	Hub	Weight(KG)
16	65	290	83	78	70	65	180	310	15	18.2
	80	310	96	91	82	80	200	374	25	21.3
	100	350	121	116	106	100	225	377	25	46.3
16/40	15	130	24	23	17	15	120	232	6	2.8
	20	150	31	28	22	20	120	232	6	3.1
	25	160	37	34	28	25	140	245	8	4.7
	32	180	43	42	35	32	140	245	8	4.9
	40	200	54	50	43	40	160	295	15	8.3
40	65	290	83	78	70	65	180	310	15	18.2
	80	310	96	91	82	80	200	374	25	21.3
	100	350	121	116	106	100	225	377	25	46.3

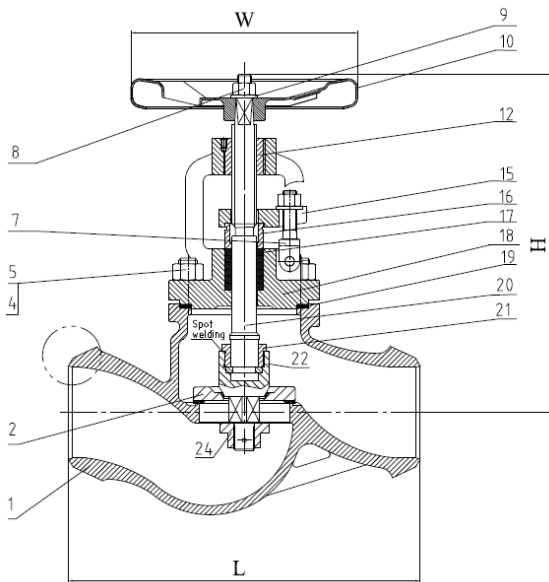
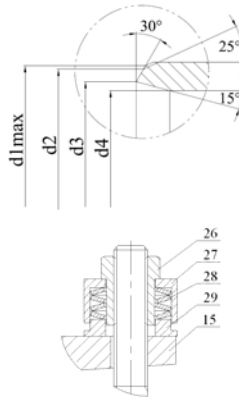


FIG.	Pressure	Material	Range
133.121-BW	PN16	1.0619N	DN125-DN300
135.121-BW	PN40	1.0619N	DN125-DN300
153.121-BW	PN16	1.4408	DN125-DN300
155.121-BW	PN40	1.4408	DN125-DN300



Design acc. : EN 13709
Face to face : EN558 G1
BW ends : DIN 3239
Test acc. : EN12266-1
TA-luft Packing
TA-Luft Gasket
Temperature range :
-29°C to +425°C (1.0619N)
-196°C to +600°C (1.4408)

spring load system

Material List

NO.	Part	Material	
		FIG.133.121 - BW / 135.121 - BW	FIG.153.121 - BW / 155.121 - BW
1	Body	1.0619N+13Cr	1.4408
2	Disk	C25(forge)+13Cr	1.4401
4	Bolt	1.7225 (GC)	A4
5	Nut	1.1181 (YK)	A4
7	Bolt	35	1.4571
8	Nut	35	A2
9	Gasket	35	1.4408
10	Handwheel	C10E	C10E
12	Yoke nut	0.7040	0.7040
15	Gland	1.0619N	1.4408
16	Packing gland	1.4021	1.4401
17	Packing	TA-Luft Packing	TA-Luft Packing
18	Bonnet	1.0619N	1.4408
19	Gasket	TA-Luft Gasket	TA-Luft Gasket
20	Stem	1.4021	1.4571
21	Disc nut	1.4021	1.4401
22	Secondary disc	1.4021	1.4401
24	Nut	A2	A4
26	Nut	1.4006	1.4401
27	Cover	1.4006	1.4401
28	Spring	51CrV4	51CrV4
29	Gasket	1.4006	1.4401

Dimension List

PN	DN	L	d1max	d2	d3	d4	W	H	Weight(KG)
16	125	400	147	142	131	125	225	448	59.6
	150	480	176	171	159	150	300	470	99.5
	200	600	228	222	207	200	400	570	169.6
	250	730	282	276	260	250	500	780	317
	300	850	331	325	309	300	550	890	447.2
	350	980	365	359	341	350	750	1010	630.8
40	125	400	147	142	131	125	225	448	59.6
	150	480	176	171	159	150	300	470	99.5
	200	600	228	222	207	200	400	570	169.6
	250	730	282	276	260	250	400	625	317
	300	850	331	325	309	300	-	-	447.2

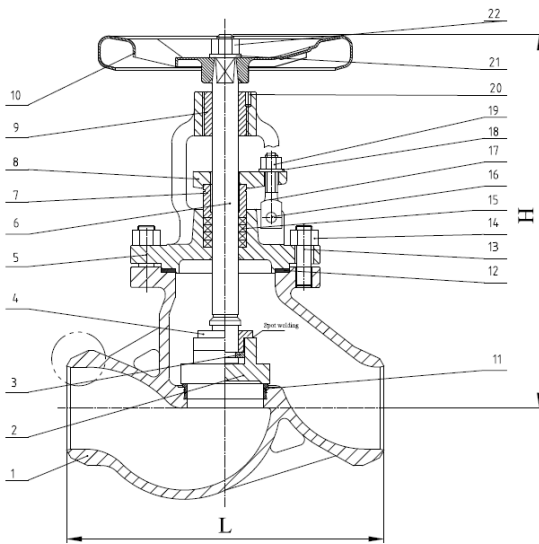
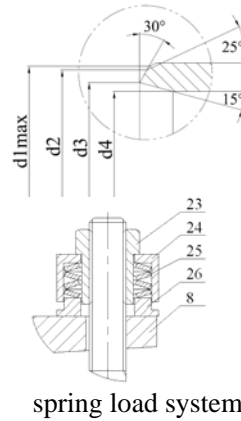


FIG.	Pressure	Material	Range
113.101-BW	PN16	GG25	DN15-DN100
123.101-BW	PN16	GGG40.3	DN15-DN100



Design acc. : EN 13789
Face to face : EN558 G1
BW ends : DIN 3239
Test acc. : EN12266-1
TA-Luft Packing
TA-Luft Gasket
 Temperature range :
-15°C~ +200°C(GG)
-30°C~ +350°C(GGG)

Material List

NO.	Part	Material	
		FIG.113.101 - BW	FIG.123.101 - BW
1	Body	GG-25	GGG-40.3
2	Disk	1.4021	1.4021
3	Split ring	1.4021 (2Cr13)	1.4021 (2Cr13)
4	Disc screw	1.4021 (2Cr13)	1.4021 (2Cr13)
5	Bonnet	GG-25	GGG-40.3
6	Stem	1.4006 (1Cr13)	1.4006 (1Cr13)
7	Packing bushing	1.4021 (2Cr13)	1.4021 (2Cr13)
8	Gland	1.0619	1.0619
9	Stem nut	GGG-40.3	GGG-40.3
10	Hand wheel	C10E	C10E
11	Seat ring	1.4006 (1Cr13)	1.4006 (1Cr13)
12	Body seal	TA-Luft Gasket	TA-Luft Gasket
13	Bolt	1.7225 (GC)	1.7225 (GC)
14	Nut	1.1181 (YK)	1.1181 (YK)
15	Packing	TA-Luft Packing	TA-Luft Packing
17	Fork bolts	35CrMo	35CrMo
18	Gasket	Q215	Q215
19	Nut	45	45
22	Nut	C35N	C35N
23	Nut	1.4006	1.4006
24	Cover	1.4006	1.4006
25	Spring	51CrV4	51CrV4
26	Gasket	1.4006	1.4006

Dimension List

DN	PN16					H	Weight(KG)
	L	d1max	d2	d3	d4		
15	130	24	23	17	15	202	2.4
20	150	31	28	22	20	202	2.5
25	160	37	34	28	25	210	2.8
32	180	43	42	35	32	210	3.3
40	200	54	50	43	40	230	6.2
50	230	67	62	54	50	230	8.9
65	290	83	78	70	65	245	14.5
80	310	96	91	82	80	265	18.4
100	350	121	116	106	100	350	32.5

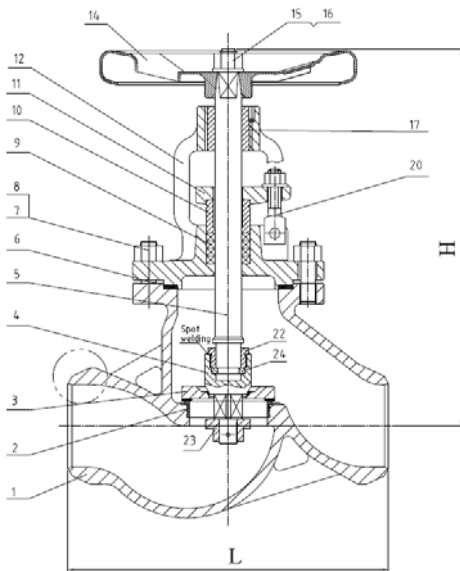
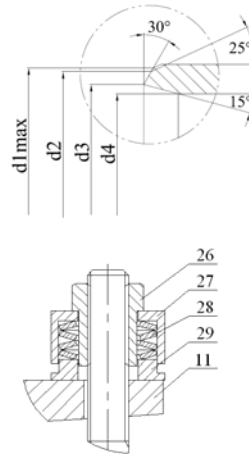


FIG.	Pressure	Material	Range
113.101-BW	PN16	GG25	DN125-DN300
123.101-BW	PN16	GGG40.3	DN125-DN300



Design acc. : EN 13789
 Face to face : EN558 G1
 BW ends : DIN 3239
 Test acc. : EN12266-1
 TA-Luft Packing
 TA-Luft Gasket
 Temperature range :
 -15°C ~ +200°C (GG)
 -30°C ~ +350°C (GGG)

Material List

spring load system

NO.	Part	Material	
		FIG.113.101 - BW	FIG.123.101 - BW
1	Body	GG-25	GGG-40.3
2	Seat ring	1.4006	1.4406
3	Disk	C25(forge)+13Cr	C25(forge)+13Cr
4	Secondary disc	1.4021	1.4021
5	Stem	1.4006	1.4006
6	Gasket	TA-Luft Gasket	TA-Luft Gasket
7	Bolt	1.7225 (GC)	1.7225 (GC)
8	Nut	1.1181 (YK)	1.1181 (YK)
9	Packing	TA-Luft Packing	TA-Luft Packing
10	Packing bushing	1.4021	1.4021
11	Gland	1.0619N	1.0619N
12	Bonnet	GG-25	GGG40.3
14	Handwheel	C10E	C10E
15	Gasket	C35N	C35N
16	Nut	C35N	C35N
17	Stem nut	GGG-40.3	GGG-40.3
20	Bolt	35CrMo	35CrMo
22	Disc screw	1.4021	1.4021
23	Nut	1.4021	1.4021
24	Split ring	1.4021	1.4021
26	Nut	1.4006	1.4006
27	Cover	1.4006	1.4006
28	Spring	51CrV4	51CrV4
29	Gasket	1.4006	1.4006

Dimension List

DN	PN16					H	Weight(KG)
	L	d1max	d2	d3	d4		
125	400	147	142	131	125	380	47.7
150	480	176	171	159	150	415	73.5
200	600	228	222	207	200	550	141.6
250	730	282	276	260	250	720	188
300	850	331	325	309	300	788	262.2