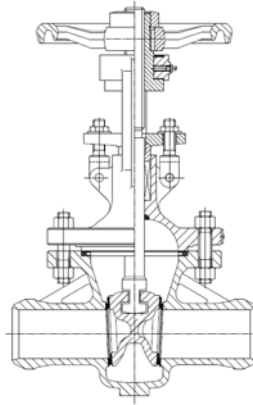
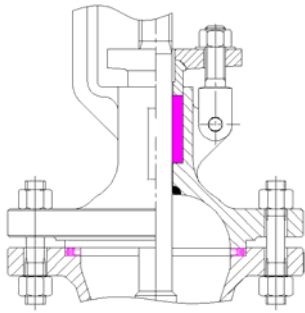


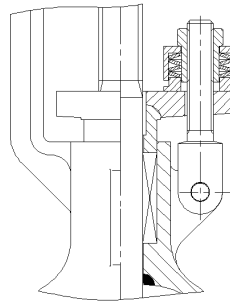
Design acc. : EN 1984.
Face to face : EN558-1 Ser.15/Ser.26
BW ends : DIN 3239.
Test acc. : EN12266.
Temperature range :
 -29°C~ +425°C(1.0619N)
 -196°C~ +600°C(1.4408)
Body : 1.0619N/1.4408



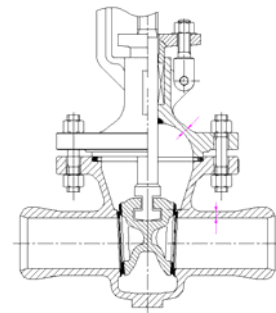
Available



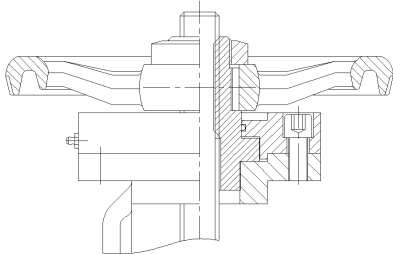
TA Luft gasket and TA Luft Packing



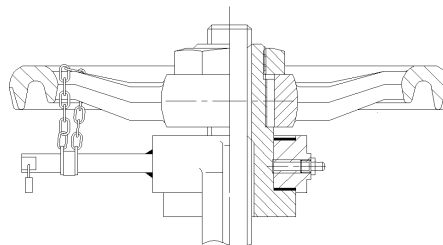
TA Luft gasket and TA Luft Packing with spring load system



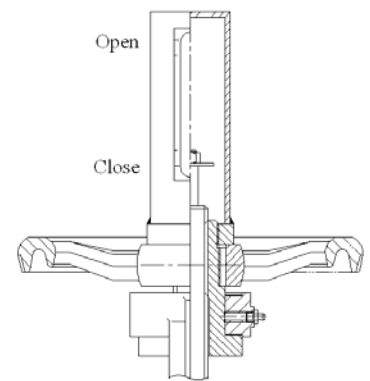
Wall thickness acc.to 300 lbs for PN16 and PN25 valves



ISO Top flange



Locking device



Position indicator

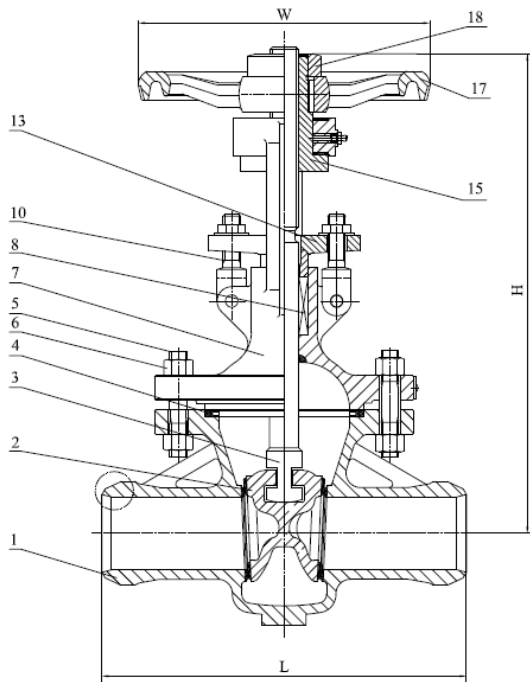


FIG.	Pressure	Material	Range
133.031 - BW	PN16	1.0619N	DN50-DN125
134.031 - BW	PN25	1.0619N	DN50-DN125
153.031 - BW	PN16	1.4408	DN50-DN125
154.031 - BW	PN25	1.4408	DN50-DN125

Design acc. : EN 1984.
Face to face : EN558-1 Ser.15
BW ends : DIN 3239.
Test acc. : EN12266.
Temperature range :
 -29°C ~ +425°C (1.0619N)
 -196°C ~ +600°C (1.4408)

Material list

NO.	Part	Material	
		FIG. 153.031 - BW / 154.031 - BW	FIG. 133.031 - BW / 134.031 - BW
1	Body	1.4408 / 1.4408 + STL (>DN100)	1.0619N+13Cr
2	Wedge	1.4408	1.0619N+13Cr / 1.4006(≤DN100)
3	Stem	1.4401	1.4021
4	Body seal	1.4401+Graphite	1.4301+Graphite
5	Bolts	A4-70	1.7225(GC)
6	Nut	A4-70	1.1181(YK)
7	Bonnet	1.4408	1.0619N
8	Packing	Graphite	Graphite
10	Fork bolt	A4-70	1.7225(GC)
13	Gland flange	1.4408	1.0619N
15	Stem nut	0.7040	0.7040
17	Handwheel	0.7040	0.7040
18	Lock nut	1.4021	1.1181

Dimension list

PN	DN	L	d1max	d2	d3	d4	H	W	Stem dimension	Torque (N.m)	Weight(KG)	FTF
16	65	270	83	78	70	65	425	250	Tr24×5LH	40	31.1	Ser.15
	80	280	96	91	82	80	420	250	Tr24×5LH	45	32.9	
	100	300	121	116	106	100	480	250	Tr26×5LH	50	47.2	
	125	325	147	142	131	125	590	350	Tr26×5LH	80	66.2	
25	65	270	83	78	70	65	425	250	Tr24×5LH	40	31.1	
	80	280	96	91	82	80	420	250	Tr24×5LH	45	32.9	
	100	300	121	116	106	100	500	250	Tr26×5LH	50	48.3	
	125	325	147	142	131	125	590	350	Tr26×5LH	80	73.6	
16/25	50	250	67	62	54	50	340	200	Tr20×4LH	35	21.8	

Note: The torque in the table does not contain safety factor.

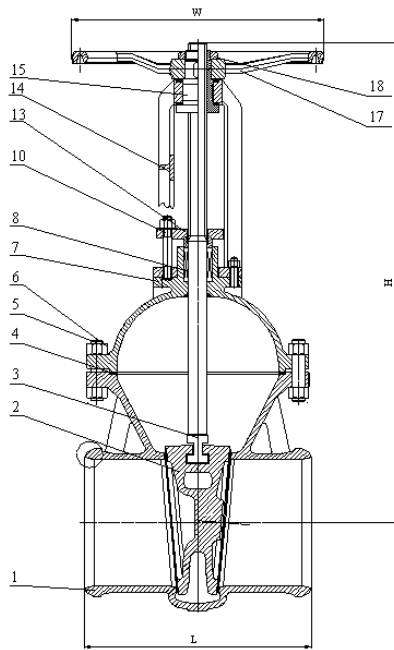
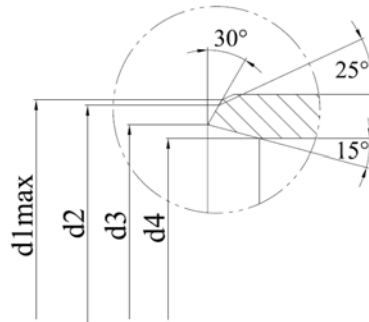


FIG.	Pressure	Material	Range
133.031 - BW	PN16	1.0619N	DN150-DN500
153.031 - BW	PN16	1.4408	DN150-DN500



Design acc. : EN 1984.
Face to face : EN558-1 Ser.15
BW ends : DIN 3239.
Test acc. : EN12266.
Temperature range :
 -29°C~ +425°C(1.0619N)
 -196°C~ +600°C(1.4408)

Material list

NO.	Part	Material	
		FIG. 153.031 - BW	FIG. 133.031 - BW
1	Body	1.4408 + STL	1.0619N+13Cr
2	Wedge	1.4408	1.0619N +13Cr / 1.4006(≤DN100)
3	Stem	1.4401	1.4021
4	Body seal	1.4401+Graphite	1.4301+Graphite
5	Bolts	A4-70	1.7225(GC)
6	Nut	A4-70	1.1181(YK)
7	Bonnet	1.4408	1.0619N
8	Packing	Graphite	Graphite
10	Bolt	A4-70	1.7225(GC)
13	Gland flange	1.4408	1.0619N
14	Yoke	1.4408	1.0619N
15	Stem nut	0.7040	0.7040
17	Handwheel	0.7040	0.7040
18	Lock nut	1.4021	1.1181

Dimension list

PN	DN	L	d1max	d2	d3	d4	H	W	Stem dimension	Torque (N.m)	Weight(KG)	FTF
16	150	350	176	171	159	150	670	400	Tr28×5LH	90	92.5	Ser.15
	200	400	228	222	207	200	830	400	Tr32×6LH	150	131.6	
	250	450	282	276	260	250	955	450	Tr36×6LH	200	192	
	300	500	331	325	309	300	1145	500	Tr40×7LH	310	362.2	
	350	550	365	359	341	350	1210	500	Tr40×7LH	400	376	
	400	600	417	411	387	400	1390	600	Tr44×8LH	450	582	
	500	700	518	612	482	500	1730	700	Tr50×8LH	700	891	

Note: The torque in the table does not contain safety factor.

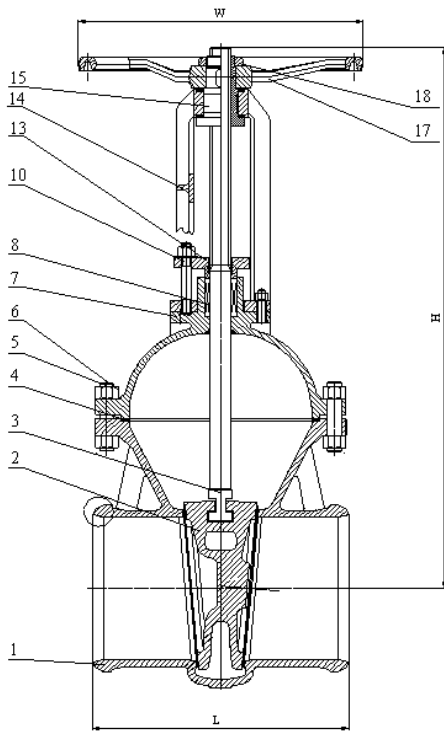
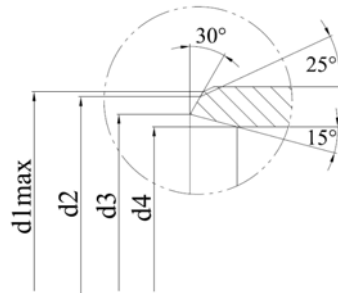


FIG.	Pressure	Material	Range
134.031 - BW	PN25	1.0619N	DN150-DN500
154.031 - BW	PN25	1.4408	DN150-DN500



Design acc. : EN 1984.
Face to face : EN558-1 Ser.15
BW ends : DIN 3239.
Test acc. : EN12266.
Temperature range :
-29°C ~ +425°C (1.0619N)
-196°C ~ +600°C (1.4408)

Material list

NO.	Part	Material	
		FIG. 154.031 - BW	FIG. 134.031 - BW
1	Body	1.4408 + STL	1.0619N+13Cr
2	Wedge	1.4408	1.0619N+13Cr / 1.4006(≤DN100)
3	Stem	1.4401	1.4021
4	Body seal	1.4401+Graphite	1.4301+Graphite
5	Bolts	A4-70	1.7225(GC)
6	Nut	A4-70	1.1181(YK)
7	Bonnet	1.4408	1.0619N
8	Packing	Graphite	Graphite
10	Bolt	A4-70	1.7225(GC)
13	Gland flange	1.4408	1.0619N
14	Yoke	1.4408	1.0619N
15	Stem nut	0.7040	0.7040
17	Handwheel	0.7040	0.7040
18	Lock nut	1.4021	1.1181

Dimension list

PN	DN	L	d1max	d2	d3	d4	H	W	Stem dimension	Torque (N.m)	Weight(KG)	FTF
25	150	350	176	171	159	150	670	400	Tr28×5LH	90	98.5	Ser.15
	200	400	228	222	207	200	830	400	Tr32×6LH	160	142	
	250	450	282	276	260	250	955	450	Tr36×6LH	220	237	
	300	500	331	325	309	300	1145	500	Tr40×7LH	330	367	
	350	550	365	359	341	350	1210	500	Tr40×7LH	420	443	
	400	600	417	411	387	400	1390	600	Tr44×8LH	500	622	
	500	700	518	612	482	500	1730	700	Tr50×8LH	750	957	

Note: The torque in the table does not contain safety factor.

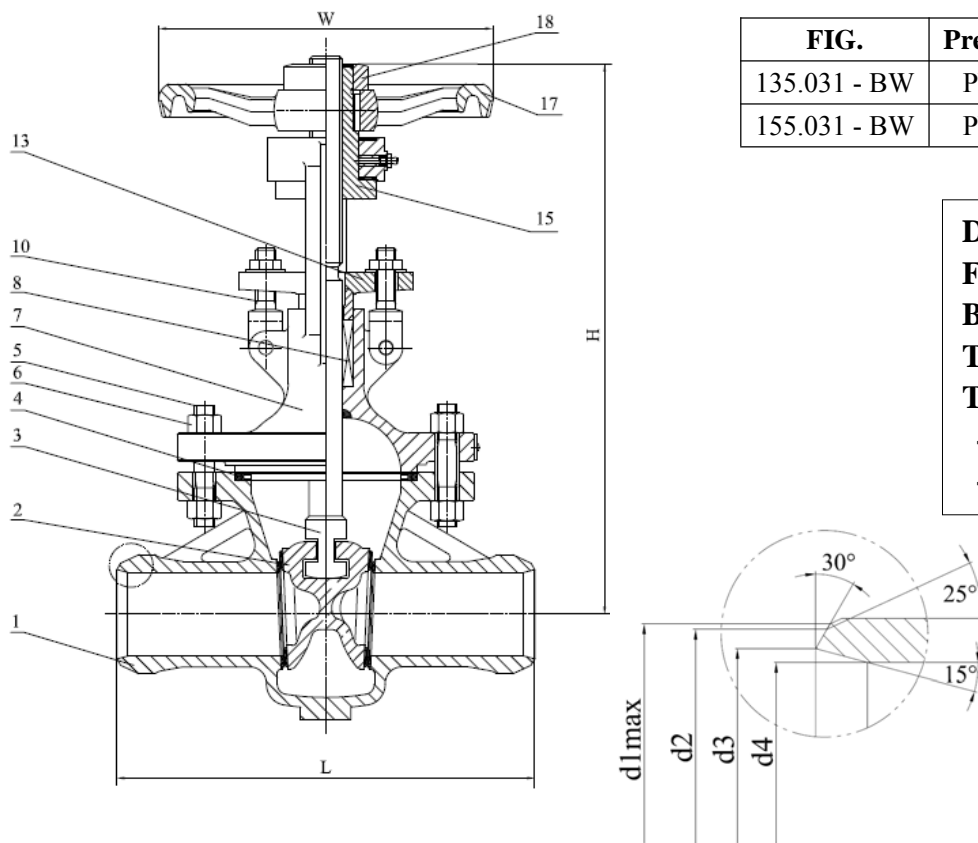


FIG.	Pressure	Material	Range
135.031 - BW	PN40	1.0619N	DN50-DN125
155.031 - BW	PN40	1.4408	DN50-DN125

Design acc. : EN 1984.
Face to face : EN558-1 Ser.26
BW ends : DIN 3239.
Test acc. : EN12266.
Temperature range :
 -29°C~ +425°C (1.0619N)
 -196°C~ +600°C (1.4408)

Material list

NO.	Part	Material	
		FIG. 155.031 - BW	FIG. 135.031 - BW
1	Body	1.4408 / 1.4408 + STL (>DN100)	1.0619N+13Cr
2	Wedge	1.4408	1.0619N +13Cr / 1.4006(≤DN100)
3	Stem	1.4401	1.4021
4	Body seal	1.4401+Graphite	1.4301+Graphite
5	Bolts	A4-70	1.7225(GC)
6	Nut	A4-70	1.1181(YK)
7	Bonnet	1.4408	1.0619N
8	Packing	Graphite	Graphite
10	Fork bolt	A4-70	1.7225(GC)
13	Gland flange	1.4408	1.0619N
15	Stem nut	0.7040	0.7040
17	Handwheel	0.7040	0.7040
18	Lock nut	1.4021	1.1181

Dimension list

PN	DN	L	d1max	d2	d3	d4	H	W	Stem dimension	Torque (N.m)	Weight(KG)	FTF
40	50	250	67	62	54	50	340	200	Tr20×4LH	35	21.8	Ser.26
	65	290	83	78	70	65	415	250	Tr24×5LH	40	32.2	
	80	310	96	91	82	80	420	250	Tr24×5LH	50	34.6	
	100	350	121	116	106	100	485	250	Tr26×5LH	55	52	
	125	400	147	142	131	125	590	350	Tr26×5LH	90	71.8	

Note: The torque in the table does not contain safety factor.

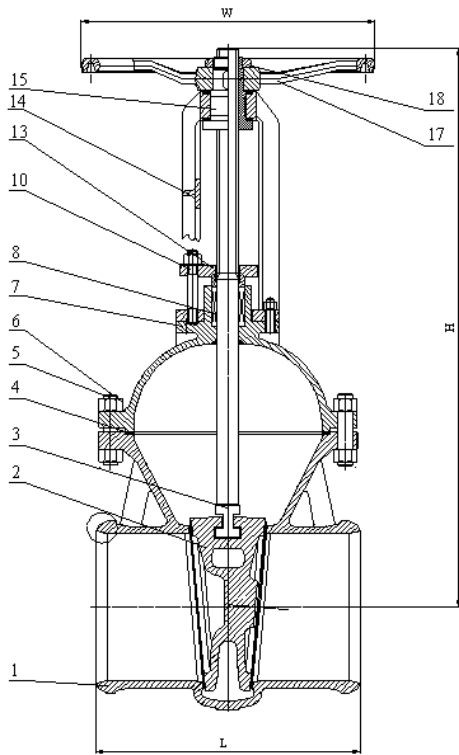
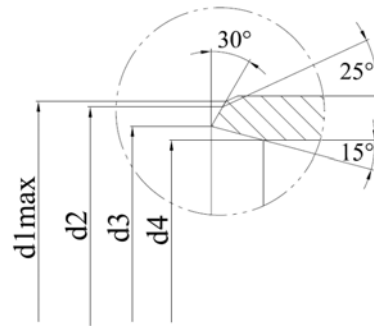


FIG.	Pressure	Material	Range
135.031 - BW	PN40	1.0619N	DN150-DN500
155.031 - BW	PN40	1.4408	DN150-DN500



Design acc. : EN 1984.
Face to face : EN558-1 Ser.26
BW ends : DIN 3239.
Test acc. : EN12266.
Temperature range :
-29°C ~ +425°C (1.0619N)
-196°C ~ +600°C (1.4408)

Material list

NO.	Part	Material	
		FIG. 155.031 - BW	FIG. 135.031 - BW
1	Body	1.4408 + STL	1.0619N+13Cr
2	Wedge	1.4408	1.0619N +13Cr / 1.4006(≤DN100)
3	Stem	1.4401	1.4021
4	Body seal	1.4401+Graphite	1.4301+Graphite
5	Bolts	A4-70	1.7225(GC)
6	Nut	A4-70	1.1181(YK)
7	Bonnet	1.4408	1.0619N
8	Packing	Graphite	Graphite
10	Bolt	A4-70	1.7225(GC)
13	Gland flange	1.4408	1.0619N
14	Yoke	1.4408	1.0619N
15	Stem nut	0.7040	0.7040
17	Handwheel	0.7040	0.7040
18	Lock nut	1.4021	1.1181

Dimension list

PN	DN	L	d1ma	d2	d3	d4	H	W	Stem dimension	Torque (N.m)	Weight(KG)	FTF
40	150	450	176	171	159	150	670	400	Tr28×5LH	100	98.6	Ser.26
	200	550	228	222	207	200	830	400	Tr32×6LH	170	162	
	250	650	282	276	260	250	955	450	Tr36×6LH	230	283	
	300	750	331	325	309	300	1145	500	Tr44×8LH	350	421	

Note: The torque in the table does not contain safety factor.