

Design acc. : EN 1984.
Face to face : EN558-1 Ser.15/Ser.26
Pipe conn. flange: EN1092-1.
Actuator conn. flange: ISO 5210
Test acc. : EN12266.
TA-Luft Packing
TA-Luft Gasket
Temperature range :
 -29°C~ +425°C(1.0619N)
 -196°C~ +600°C(1.4408)
Body : 1.0619N /1.4408
Wall thickness for PN16 is the same
as for PN25 valves

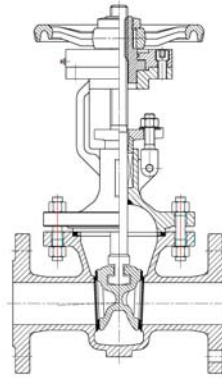


FIG : XXX.032

Page 1 - 5

FIG : 032

Design acc. : EN 1984.
Face to face : EN558-1 Ser.15/Ser.26
Pipe conn. flange: EN1092-1.
Actuator conn. flange: ISO 5210
Test acc. : EN12266.
TA-Luft Packing
TA-Luft Gasket
Temperature range :
 -29°C~ +425°C(1.0619N)
 -196°C~ +600°C(1.4408)
Body : 1.0619N /1.4408
Wall thickness for PN16 is the same
as for PN25 valves

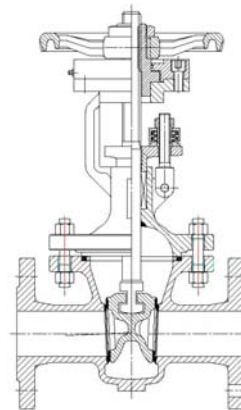
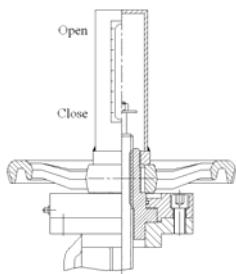


FIG : XXX.032 + spring load system

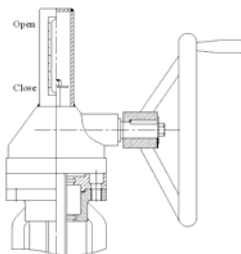
Page 6 - 10

FIG : 032 + spring load system

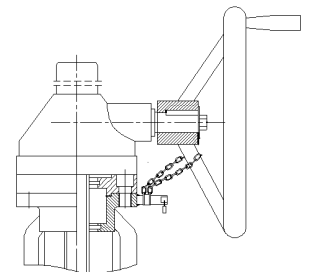
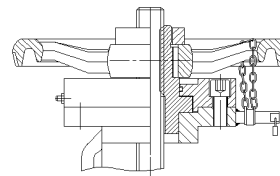
Available



Position indicator



Locking device



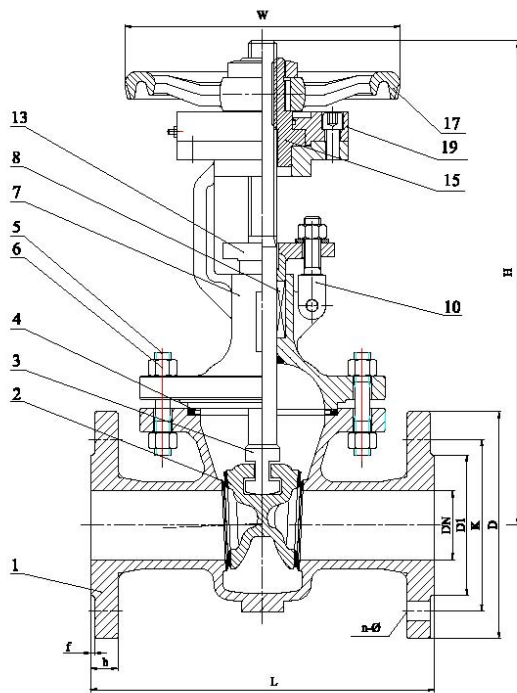


FIG.	Pressure	Material	Range
133.032	PN16	1.0619N	DN50-DN125
134.032	PN25	1.0619N	DN50-DN125
153.032	PN16	1.4408	DN50-DN125
154.032	PN25	1.4408	DN50-DN125

Design acc. : EN 1984.
Face to face : EN558-1 Ser.15
Pipe conn. flange: EN1092-1.
Actuator conn. flange: ISO 5210
Test acc. : EN12266.
TA-Luft Packing
TA-Luft Gasket
Temperature range :
 -29°C ~ +425°C (1.0619N)
 -196°C ~ +600°C (1.4408)

Material list

NO.	Part	Material	
		FIG. 153.032 / 154.032	FIG. 133.032 /134.032
1	Body	1.4408 / 1.4408 + STL (>DN100)	1.0619N+13Cr
2	Wedge	1.4408	1.0619N+13Cr / 1.4006(≤DN100)
3	Stem	1.4401	1.4021
4	Body seal	TA-Luft Gasket	TA-Luft Gasket
5	Bolts	A4-70	1.7225(GC)
6	Nut	A4-70	1.1181(YK)
7	Bonnet	1.4408	1.0619N
8	Packing	TA-Luft Packing	TA-Luft Packing
10	Fork bolt	A4-70	1.7225(GC)
13	Gland flange	1.4408	1.0619N
15	Stem nut	0.7040	0.7040
17	Handwheel	0.7040	0.7040
19	ISO-Flange	1.4401	C22.5

Dimension list

PN	DN	L	D1	K	D	f	b	n	φ	H	W	Stem dimension	ISO-flange	Torque (N.m)	Weight(KG)	FTF
16	65	270	122	145	185	3	18	4	18	425	250	Tr24×5LH	F10	40	37.3	Ser.15
	80	280	138	160	200	3	20	8	18	420	250	Tr24×5LH	F10	45	40	
	100	300	158	180	220	3	20	8	18	480	250	Tr26×5LH	F10	50	55.7	
	125	325	188	210	250	3	22	8	18	590	350	Tr26×5LH	F10	80	77.3	
25	65	270	122	145	185	3	22	8	18	425	250	Tr24×5LH	F10	40	37.3	
	80	280	138	160	200	3	24	8	18	420	250	Tr24×5LH	F10	45	40	
	100	300	162	190	235	3	24	8	22	500	250	Tr26×5LH	F10	50	56.8	
	125	325	188	220	270	3	26	8	26	590	350	Tr26×5LH	F10	80	85.1	
16/25	50	250	102	125	165	3	20	4	18	340	200	Tr20×4LH	F10	35	26.8	

Note: The torque in the table does not contain safety factor.

Edit: FengChunyan
 Suzhou Fleu valve Co.Ltd
 No.767 Huagang Road

Checking: WangHuanyu
 Tel : 0086 512 63430669
 Fax : 0086 512 63409789

Approved: ZWS
 Date: 06.May.2020
 E-mail : szsales@fleu-valve.com
 http : //www.fleu-valve.com

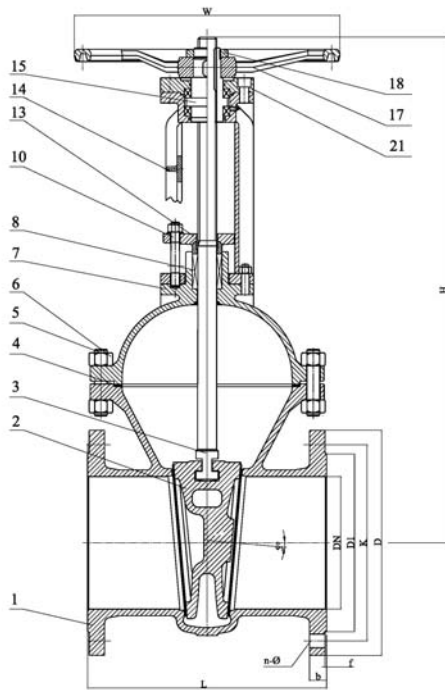


FIG.	Pressure	Material	Range
133.032	PN16	1.0619N	DN150-DN1200
153.032	PN16	1.4408	DN150-DN1200

Design acc. : EN 1984.
Face to face : EN558-1 Ser.15
Pipe conn. flange : EN1092-1.
Actuator conn. flange: ISO 5210
Test acc. : EN12266.
TA-Luft Packing
TA-Luft Gasket
Temperature range :
-29°C ~ +425°C (1.0619N)
-196°C ~ +600°C (1.4408)

Material list

NO.	Part	Material	
		FIG. 153.032	FIG. 133.032
1	Body	1.4408 + STL	1.0619N+13Cr
2	Wedge	1.4408	1.0619N+13Cr / 1.4006(≤DN100)
3	Stem	1.4401	1.4021
4	Body seal	TA-Luft Gasket	TA-Luft Gasket
5	Bolts	A4-70	1.7225(GC)
6	Nut	A4-70	1.1181(YK)
7	Bonnet	1.4408	1.0619N
8	Packing	TA-Luft Packing	TA-Luft Packing
10	Bolt	A4-70	1.7225(GC)
13	Gland flange	1.4408	1.0619N
14	Yoke	1.4408	1.0619N
15	Stem nut	0.7040	0.7040
17	Handwheel	0.7040	0.7040
18	Lock nut	1.4021	1.1181
21	ISO-Flange	1.4401	C22.5

Dimension list

PN	DN	L	D1	K	D	f	b	n	φ	H	W	Stem dimension	ISO-flange	Torque (N.m)	Weight(KG)	FTF
16	150	350	212	240	285	3	22	8	22	670	400	Tr28×5LH	F10	90	107	Ser.15
	200	400	268	295	340	3	24	12	22	830	400	Tr32×6LH	F14	150	152	
	250	450	320	355	405	3	26	12	26	955	450	Tr36×6LH	F14	200	262	
	300	500	378	410	460	4	28	12	26	1145	500	Tr40×7LH	F14	310	405	
	350	550	438	470	520	4	30	16	26	1210	500	Tr40×7LH	F16	400	426	
	400	600	490	525	580	4	32	16	30	1390	600	Tr44×8LH	F16	450	630	
	500	700	610	650	715	4	36	20	33	1730	700	Tr50×8LH	F25	700	1015	
	600	800	725	770	840	5	40	20	36	2120	750	Tr60×9LH	F30	1200	1309	
	700	900	795	840	910	5	42	24	36	2320	860	Tr65×20(P10)LH	F30	2020	2079	
	800	1000	900	950	1025	5	42	24	39	3200	1200	Tr70×20(P10)LH	F35	3120	3228	
	900	1100	1000	1050	1125	5	44	28	39	4400	1200	Tr75×20(P10)LH	F40	4570	3708	
	1000	1200	1115	1170	1255	5	46	28	42	4700	1200	Tr80×20(P10)LH	F40	6250	5283	
1200	1400	1330	1390	1485	5	52	32	48	5200	1400	Tr85×24(P12)LH	F40	8840	7858		

Note: The torque in the table does not contain safety factor.

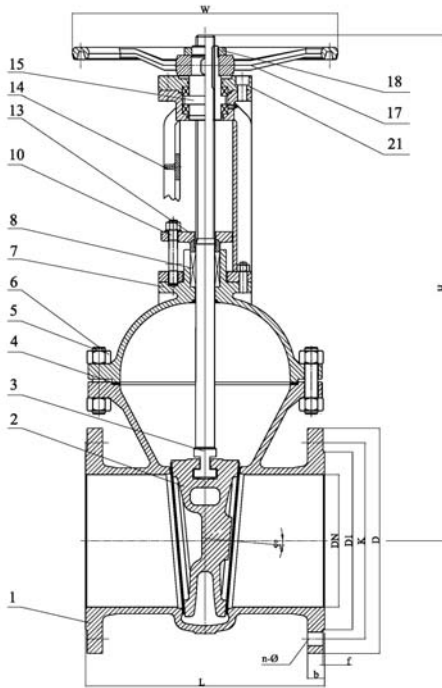


FIG.	Pressure	Material	Range
134.032	PN25	1.0619N	DN150-DN1200
154.032	PN25	1.4408	DN150-DN1200

Design acc. : EN 1984.
Face to face : EN558-1 Ser.15
Pipe conn. flange: EN1092-1.
Actuator conn. flange: ISO 5210
Test acc. : EN12266.
TA-Luft Packing
TA-Luft Gasket
Temperature range :
-29°C~ +425°C(1.0619N)
-196°C~ +600°C(1.4408)

Material list

NO.	Part	Material	
		FIG. 154.032	FIG. 134.032
1	Body	1.4408 + STL	1.0619N+13Cr
2	Wedge	1.4408	1.0619N+13Cr / 1.4006(≤DN100)
3	Stem	1.4401	1.4021
4	Body seal	TA-Luft Gasket	TA-Luft Gasket
5	Bolts	A4-70	1.7225(GC)
6	Nut	A4-70	1.1181(YK)
7	Bonnet	1.4408	1.0619N
8	Packing	TA-Luft Packing	TA-Luft Packing
10	Bolt	A4-70	1.7225(GC)
13	Gland flange	1.4408	1.0619N
14	Yoke	1.4408	1.0619N
15	Stem nut	0.7040	0.7040
17	Handwheel	0.7040	0.7040
18	Lock nut	1.4021	1.1181
21	ISO-Flange	1.4401	C22.5

Dimension list

PN	DN	L	D1	K	D	f	b	n	φ	H	W	Stem dimension	ISO-flange	Torque (N.m)	Weight(KG)	FTF
25	150	350	218	250	300	3	28	8	26	670	400	Tr28×5LH	F14	90	114	Ser.15
	200	400	278	310	360	3	30	12	26	830	400	Tr32×6LH	F14	160	164	
	250	450	335	370	425	3	32	12	30	955	450	Tr36×6LH	F14	220	272	
	300	500	395	430	485	4	34	16	30	1145	500	Tr40×7LH	F14	330	413	
	350	550	450	490	555	4	38	16	33	1210	500	Tr40×7LH	F16	420	426	
	400	600	505	550	620	4	40	16	36	1390	600	Tr44×8LH	F16	500	631	
	500	700	615	660	730	4	44	20	36	1730	700	Tr50×8LH	F25	750	1091	
	600	800	720	770	845	5	46	20	39	2120	750	Tr60×9LH	F30	1300	1348	
	700	900	820	875	960	5	50	24	42	2320	860	Tr65×20(P10)LH	F35	2380	2183	
	800	1000	930	990	1085	5	54	24	48	3200	1200	Tr70×20(P10)LH	F35	3650	3389	
	900	1100	1030	1090	1185	5	58	28	48	4400	1200	Tr75×20(P10)LH	F40	5290	3893	
	1000	1200	1140	1210	1320	5	62	28	56	4700	1200	Tr80×20(P10)LH	F40	7560	5547	
1200	1400	1350	1420	1530	5	70	32	56	5200	1400	Tr85×24(P12)LH	F48	9870	8251		

Note: The torque in the table does not contain safety factor.

Edit: FengChunyan
Suzhou Fleu valve Co.Ltd
No.767 Huagang Road

Checking: WangHuanyu
Tel : 0086 512 63430669
Fax : 0086 512 63409789

Approved: ZWS
Date: 06.May.2020
E-mail : szsales@fleu-valve.com
http : //www.fleu-valve.com

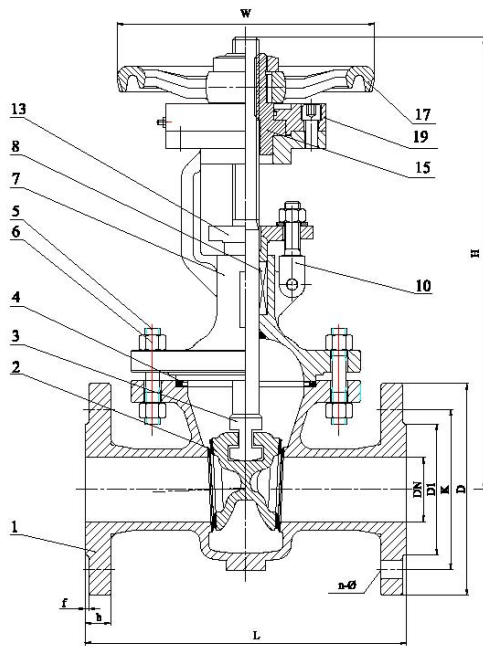


FIG.	Pressure	Material	Range
135.032	PN40	1.0619N	DN50-DN125
155.032	PN40	1.4408	DN50-DN125

Design acc. : EN 1984.
Face to face : EN558-1 Ser.26
Pipe conn. flange : EN1092-1.
Actuator conn. flange: ISO 5210
Test acc. : EN12266.
TA-Luft Packing
TA-Luft Gasket
Temperature range :
 -29°C~ +425°C(1.0619N)
 -196°C~ +600°C(1.4408)

Material list

NO.	Part	Material	
		FIG. 155.032	FIG. 135.032
1	Body	1.4408 / 1.4408 + STL (>DN100)	1.0619N+13Cr
2	Wedge	1.4408	1.0619N+13Cr / 1.4006(≤DN100)
3	Stem	1.4401	1.4021
4	Body seal	TA-Luft Gasket	TA-Luft Gasket
5	Bolts	A4-70	1.7225(GC)
6	Nut	A4-70	1.1181(YK)
7	Bonnet	1.4408	1.0619N
8	Packing	TA-Luft Packing	TA-Luft Packing
10	Fork bolt	A4-70	1.7225(GC)
13	Gland flange	1.4408	1.0619N
15	Stem nut	0.7040	0.7040
17	Handwheel	0.7040	0.7040
19	ISO-Flange	1.4401	C22.5

Dimension list

PN	DN	L	D1	K	D	f	b	n	φ	H	W	Stem dimension	ISO-flange	Torque (N.m)	Weight(KG)	FTF
40	50	250	102	125	165	3	20	4	18	340	200	Tr20×4LH	F10	35	26.8	Ser.26
	65	290	122	145	185	3	22	8	18	415	39.3	Tr24×5LH	F10	40	39.3	
	80	310	138	160	200	3	24	8	18	420	250	Tr24×5LH	F10	50	42.8	
	100	350	162	190	235	3	24	8	22	485	250	Tr26×5LH	F10	55	63.6	
	125	400	188	220	270	3	26	8	26	590	350	Tr26×5LH	F14	90	88	

Note: The torque in the table does not contain safety factor.

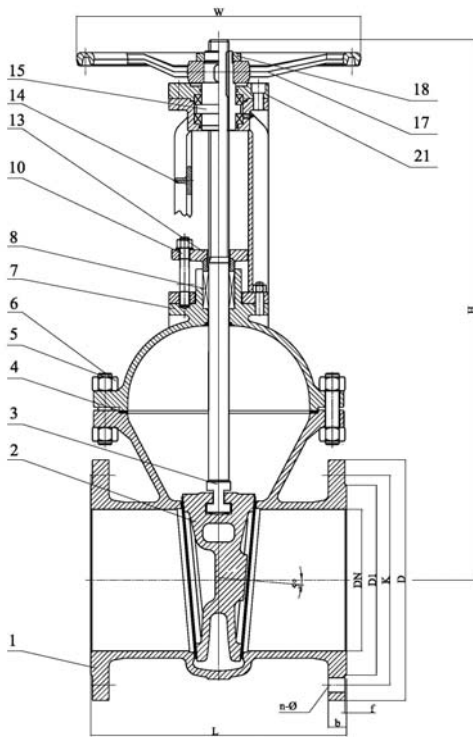


FIG.	Pressure	Material	Range
135.032	PN40	1.0619N	DN150-DN600
155.032	PN40	1.4408	DN150-DN600

Design acc. : EN 1984.
Face to face : EN558-1 Ser.26
Pipe conn. flange : EN1092-1.
Actuator conn. flange: ISO 5210
Test acc. : EN12266.
TA-Luft Packing
TA-Luft Gasket
Temperature range :
-29°C ~ +425°C (1.0619N)
-196°C ~ +600°C (1.4408)

Material list

NO.	Part	Material	
		FIG. 155.032	FIG. 135.032
1	Body	1.4408 + STL	1.0619N+13Cr
2	Wedge	1.4408	1.0619N+13Cr / 1.4006(≤DN100)
3	Stem	1.4401	1.4021
4	Body seal	TA-Luft Gasket	TA-Luft Gasket
5	Bolts	A4-70	1.7225(GC)
6	Nut	A4-70	1.1181(YK)
7	Bonnet	1.4408	1.0619N
8	Packing	TA-Luft Packing	TA-Luft Packing
10	Bolt	A4-70	1.7225(GC)
13	Gland flange	1.4408	1.0619N
14	Yoke	1.4408	1.0619N
15	Stem nut	0.7040	0.7040
17	Handwheel	0.7040	0.7040
18	Lock nut	1.4021	1.1181
21	ISO-Flange	1.4401	C22.5

Dimension list

PN	DN	L	D1	K	D	f	b	n	φ	H	W	Stem dimension	ISO-flange	Torque (N.m)	Weight(KG)	FTF
40	150	450	218	250	300	3	28	8	26	670	400	Tr28×5LH	F14	100	118	Ser.26
	200	550	285	320	375	3	34	12	30	830	400	Tr32×6LH	F14	170	196	
	250	650	345	385	450	3	38	12	33	955	450	Tr36×6LH	F14	230	339	
	300	750	410	450	515	4	42	16	33	1145	500	Tr44×7LH	F14	350	495	
	350	850	465	510	580	4	46	16	36	1210	500	Tr46×8LH	F16	450	757	
	400	950	535	585	660	4	50	16	39	1390	600	Tr48×8LH	F16	550	1004	
	500	1150	615	670	755	4	52	20	39	1730	700	Tr55×9LH	F25	800	1567	
600	1350	735	795	890	5	60	20	48	2120	750	Tr65×20(P10)LH	F30	1500	2810		

Note: The torque in the table does not contain safety factor.

Edit: FengChunyan
Suzhou Fleu valve Co.Ltd
No.767 Huagang Road

Checking: WangHuanyu
Tel : 0086 512 63430669
Fax : 0086 512 63409789

Approved: ZWS
Date: 06.May.2020
E-mail : szsales@fleu-valve.com
http : //www.fleu-valve.com

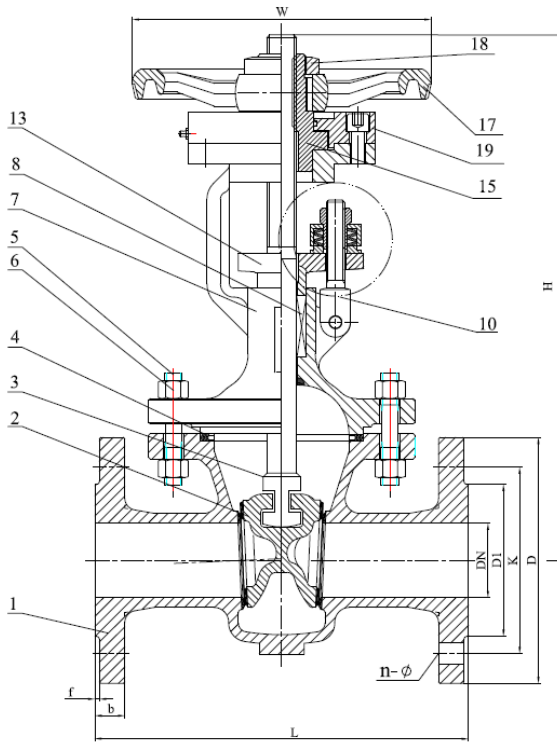
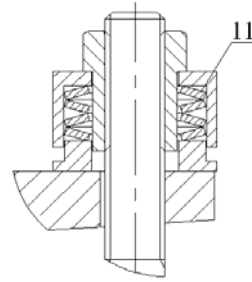


FIG.	Pressure	Material	Range
133.032 + spring load system	PN16	1.0619N	DN50-DN125
134.032 + spring load system	PN25	1.0619N	DN50-DN125
153.032 + spring load system	PN16	1.4408	DN50-DN125
154.032 + spring load system	PN25	1.4408	DN50-DN125



spring load system

Design acc. : EN 1984.
Face to face : EN558-1 Ser.15
Pipe conn. flange: EN1092-1.
Actuator conn. flange: ISO 5210
Test acc. : EN12266.
TA-Luft Packing
TA-Luft Gasket
Temperature range :
-29°C~ +425°C(1.0619N)
-196°C~ +600°C(1.4408)

Material list

NO.	Part	Material	
		FIG. 153.032+spring load system / 154.032 + spring load system	FIG. 133.032+ spring load system/ 134.032 + spring load system
1	Body	1.4408 / 1.4408 + STL (>DN100)	1.0619N+13Cr
2	Wedge	1.4408	1.0619N+13Cr / 1.4006(≤DN100)
3	Stem	1.4401	1.4021
4	Body seal	TA-Luft Gasket	TA-Luft Gasket
5	Bolts	A4-70	1.7225(GC)
6	Nut	A4-70	1.1181(YK)
7	Bonnet	1.4408	1.0619N
8	Packing	TA-Luft Packing	TA-Luft Packing
10	Fork bolt	A4-70	1.7225(GC)
11	Belleville spring	51CrV4	51CrV4
13	Gland flange	1.4408	1.0619N
15	Stem nut	0.7040	0.7040
17	Handwheel	0.7040	0.7040
18	Lock nut	1.4021	1.1181
19	ISO-Flange	1.4401	C22.5

Dimension list

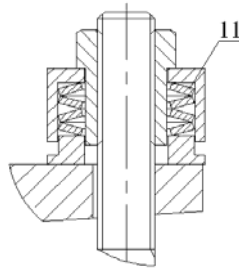
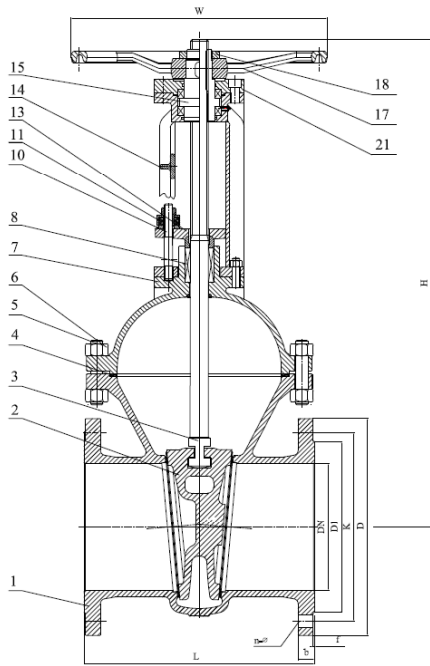
PN	DN	L	D1	K	D	f	b	n	φ	H	W	Stem dimension	ISO-flange	Torque (N.m)	Weight(KG)	FTF	
16	65	270	122	145	185	3	18	4	18	425	250	Tr24x5LH	F10	40	37.3	Ser.15	
	80	280	138	160	200	3	20	8	18	420	250	Tr24x5LH	F10	45	40		
	100	300	158	180	220	3	20	8	18	480	250	Tr26x5LH	F10	50	55.7		
	125	325	188	210	250	3	22	8	18	590	350	Tr26x5LH	F10	80	77.3		
25	65	270	122	145	185	3	22	8	18	425	250	Tr24x5LH	F10	40	37.3		
	80	280	138	160	200	3	24	8	18	420	250	Tr24x5LH	F10	45	40		
	100	300	162	190	235	3	24	8	22	500	250	Tr26x5LH	F10	50	56.8		
	125	325	188	220	270	3	26	8	26	590	350	Tr26x5LH	F10	80	85.1		
16/25	50	250	102	125	165	3	20	4	18	340	200	Tr20x4LH	F10	35	26.8		

Note: The torque in the table does not contain safety factor.

Edit: FengChunyan
 Suzhou Fleu valve Co.Ltd
 No.767 Huagang Road

Checking: WangHuanyu
 Tel : 0086 512 63430669
 Fax : 0086 512 63409789

Approved: ZWS
 Date: 06.May.2020
 E-mail : szsales@fleu-valve.com
 http : //www.fleu-valve.com



spring load system

FIG.	Pressure	Material	Range
133.032 + spring load system	PN16	1.0619N	DN150-DN1200
153.032 + spring load system	PN16	1.4408	DN150-DN1200

Design acc. : EN 1984.
Face to face : EN558-1 Ser.15
Pipe conn. flange : EN1092-1.
Actuator conn. flange: ISO 5210
Test acc. : EN12266.
TA-Luft Packing
TA-Luft Gasket
Temperature range :
-29°C ~ +425°C (1.0619N)
-196°C ~ +600°C (1.4408)

Material list

NO.	Part	Material	
		FIG. 153.032 + spring load system	FIG. 133.032 + spring load system
1	Body	1.4408 + STL	1.0619N+13Cr
2	Wedge	1.4408	1.0619N+13Cr / 1.4006(≤DN100)
3	Stem	1.4401	1.4021
4	Body seal	TA-Luft Gasket	TA-Luft Gasket
5	Bolts	A4-70	1.7225(GC)
6	Nut	A4-70	1.1181(YK)
7	Bonnet	1.4408	1.0619N
8	Packing	TA-Luft Packing	TA-Luft Packing
10	Bolt	A4-70	1.7225(GC)
11	Belleville spring	51CrV4	51CrV4
13	Gland flange	1.4408	1.0619N
14	Yoke	1.4408	1.0619N
15	Stem nut	0.7040	0.7040
17	Handwheel	0.7040	0.7040
18	Lock nut	1.4021	1.1181
21	ISO-Flange	1.4401	C22.5

Dimension list

PN	DN	L	D1	K	D	f	b	n	φ	H	W	Stem dimension	ISO-flange	Torque (N.m)	Weight(KG)	FTF
16	150	350	212	240	285	3	22	8	22	670	400	Tr28×5LH	F10	90	107	Ser.15
	200	400	268	295	340	3	24	12	22	830	400	Tr32×6LH	F14	150	152	
	250	450	320	355	405	3	26	12	26	955	450	Tr36×6LH	F14	200	262	
	300	500	378	410	460	4	28	12	26	1145	500	Tr40×7LH	F14	310	405	
	350	550	438	470	520	4	30	16	26	1210	500	Tr40×7LH	F16	400	426	
	400	600	490	525	580	4	32	16	30	1390	600	Tr44×8LH	F16	450	630	
	500	700	610	650	715	4	36	20	33	1730	700	Tr50×8LH	F25	700	1015	
	600	800	725	770	840	5	40	20	36	2120	750	Tr60×9LH	F30	1200	1309	
	700	900	795	840	910	5	42	24	36	2320	860	Tr65×20(P10)LH	F30	2020	2079	
	800	1000	900	950	1025	5	42	24	39	3200	1200	Tr70×20(P10)LH	F35	3120	3228	
	900	1100	1000	1050	1125	5	44	28	39	4400	1200	Tr75×20(P10)LH	F40	4570	3708	
	1000	1200	1115	1170	1255	5	46	28	42	4700	1200	Tr80×20(P10)LH	F40	6250	5283	
1200	1400	1330	1390	1485	5	52	32	48	5200	1400	Tr85×24(P12)LH	F40	8740	7858		

Note: The torque in the table does not contain safety factor.

Edit: FengChunyan
 Suzhou Fleu valve Co.Ltd
 No.767 Huagang Road

Checking: WangHuanyu
 Tel : 0086 512 63430669
 Fax : 0086 512 63409789

Approved: ZWS
 Date: 06.May.2020
 E-mail : szsales@fleu-valve.com
 http : //www.fleu-valve.com

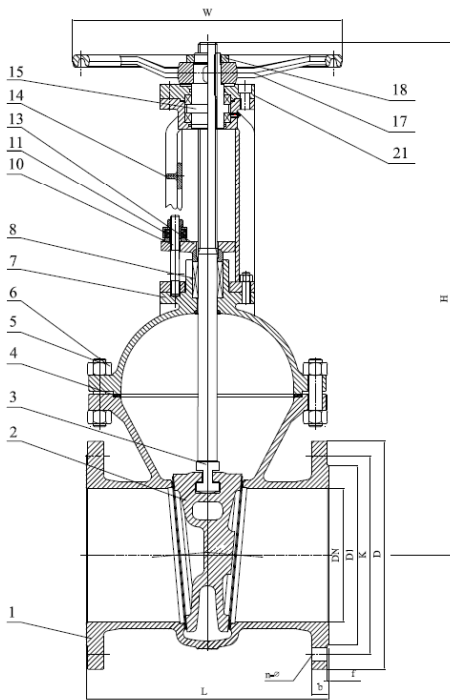
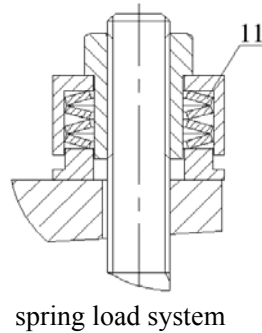


FIG.	Pressure	Material	Range
134.032 + spring load system	PN25	1.0619N	DN150-DN1200
154.032 + spring load system	PN25	1.4408	DN150-DN1200



Design acc. : EN 1984.
Face to face : EN558-1 Ser.15
Pipe conn. flange : EN1092-1.
Actuator conn. flange: ISO 5210
Test acc. : EN12266.
TA-Luft Packing
TA-Luft Gasket
Temperature range :
-29°C~ +425°C(1.0619N)
-196°C~ +600°C(1.4408)

Material list

NO.	Part	Material	
		FIG. 154.032 + spring load system	FIG. 134.032 + spring load system
1	Body	1.4408 + STL	1.0619N+13Cr
2	Wedge	1.4408	1.0619N+13Cr / 1.4006(≤DN100)
3	Stem	1.4401	1.4021
4	Body seal	TA-Luft Gasket	TA-Luft Gasket
5	Bolts	A4-70	1.7225(GC)
6	Nut	A4-70	1.1181(YK)
7	Bonnet	1.4408	1.0619N
8	Packing	TA-Luft Packing	TA-Luft Packing
10	Bolt	A4-70	1.7225(GC)
11	Belleville spring	51CrV4	51CrV4
13	Gland flange	1.4408	1.0619N
14	Yoke	1.4408	1.0619N
15	Stem nut	0.7040	0.7040
17	Handwheel	0.7040	0.7040
18	Lock nut	1.4021	1.1181
21	ISO-Flange	1.4401	C22.5

Dimension list

PN	DN	L	D1	K	D	f	b	n	φ	H	W	Stem dimension	ISO-flange	Torque (N.m)	Weight(KG)	FTF
25	150	350	218	250	300	3	28	8	26	670	400	Tr28×5LH	F14	90	114	Ser.15
	200	400	278	310	360	3	30	12	26	830	400	Tr32×6LH	F14	160	164	
	250	450	335	370	425	3	32	12	30	955	450	Tr36×6LH	F14	220	272	
	300	500	395	430	485	4	34	16	30	1145	500	Tr40×7LH	F14	330	413	
	350	550	450	490	555	4	38	16	33	1210	500	Tr40×7LH	F16	420	426	
	400	600	505	550	620	4	40	16	36	1390	600	Tr44×8LH	F16	500	631	
	500	700	615	660	730	4	44	20	36	1730	700	Tr50×8LH	F25	750	1091	
	600	800	720	770	845	5	46	20	39	2120	750	Tr60×9LH	F30	1300	1348	
	700	900	820	875	960	5	50	24	42	2320	860	Tr65×20(P10)LH	F35	2380	2183	
	800	1000	930	990	1085	5	54	24	48	3200	1200	Tr70×20(P10)LH	F35	3650	3389	
	900	1100	1030	1090	1185	5	58	28	48	4400	1200	Tr75×20(P10)LH	F40	5290	3893	
	1000	1200	1140	1210	1320	5	62	28	56	4700	1200	Tr80×20(P10)LH	F40	7560	5547	
1200	1400	1350	1420	1530	5	70	32	56	5200	1400	Tr85×24(P12)LH	F48	9870	8251		

Note: The torque in the table does not contain safety factor.

Edit: FengChunyan
 Suzhou Fleu valve Co.Ltd
 No.767 Huagang Road

Checking: WangHuanyu
 Tel : 0086 512 63430669
 Fax : 0086 512 63409789

Approved: ZWS
 Date: 06.May.2020
 E-mail : szsales@fleu-valve.com
 http : //www.fleu-valve.com

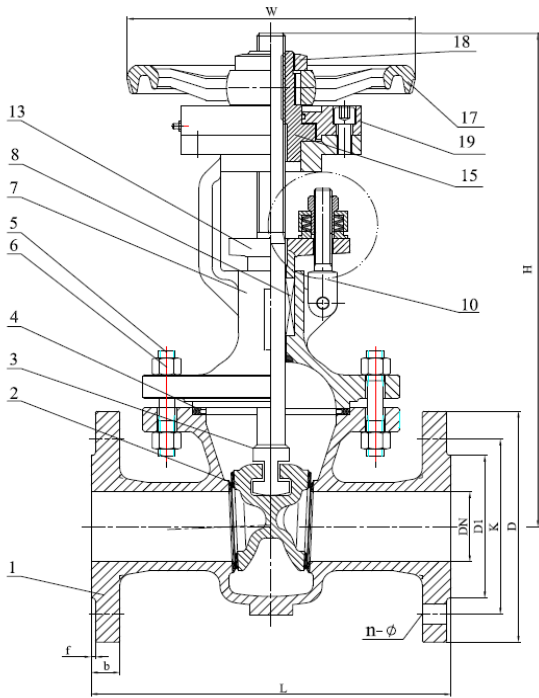
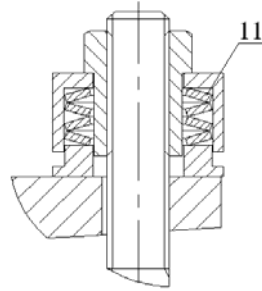


FIG.	Pressure	Material	Range
135.032 + spring load system	PN40	1.0619N	DN50-DN125
155.032 + spring load system	PN40	1.4408	DN50-DN125



spring load system

Design acc. : EN 1984.
Face to face : EN558-1 Ser.26
Pipe conn. flange : EN1092-1.
Actuator conn. flange: ISO 5210
Test acc. : EN12266.
TA-Luft Packing
TA-Luft Gasket
Temperature range :
-29°C~ +425°C(1.0619N)
-196°C~ +600°C(1.4408)

Material list

NO.	Part	Material	
		FIG. 155.032 + spring load system	FIG. 135.032 + spring load system
1	Body	1.4408 / 1.4408 + STL (>DN100)	1.0619N+13Cr
2	Wedge	1.4408	1.0619N+13Cr / 1.4006(≤DN100)
3	Stem	1.4401	1.4021
4	Body seal	TA-Luft Gasket	TA-Luft Gasket
5	Bolts	A4-70	1.7225(GC)
6	Nut	A4-70	1.1181(YK)
7	Bonnet	1.4408	1.0619N
8	Packing	TA-Luft Packing	TA-Luft Packing
10	Fork bolt	A4-70	1.7225(GC)
11	Belleville spring	51CrV4	51CrV4
13	Gland flange	1.4408	1.0619N
15	Stem nut	0.7040	0.7040
17	Handwheel	0.7040	0.7040
18	Lock nut	1.4021	1.1181
19	ISO-Flange	1.4401	C22.5

Dimension list

PN	DN	L	D1	K	D	f	b	n	φ	H	W	Stem dimension	ISO-flange	Torque (N.m)	Weight(KG)	FTF
40	50	250	102	125	165	3	20	4	18	340	200	Tr20×4LH	F10	35	26.8	Ser.26
	65	290	122	145	185	3	22	8	18	415	39.3	Tr24×5LH	F10	40	39.3	
	80	310	138	160	200	3	24	8	18	420	250	Tr24×5LH	F10	50	42.8	
	100	350	162	190	235	3	24	8	22	485	250	Tr26×5LH	F10	55	63.6	
	125	400	188	220	270	3	26	8	26	590	350	Tr26×5LH	F14	90	88	

Note: The torque in the table does not contain safety factor.

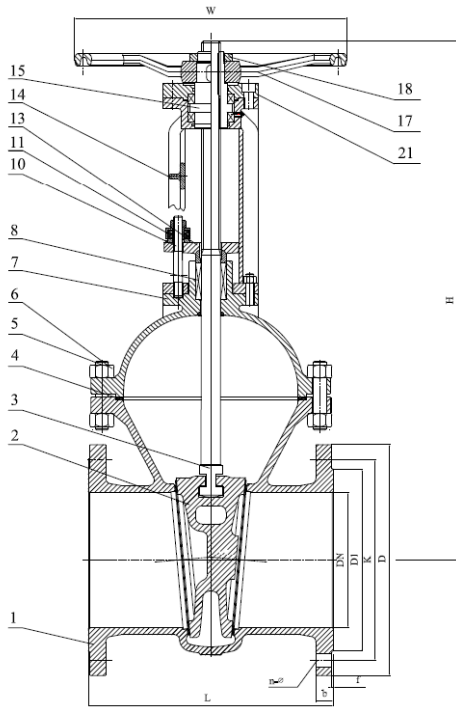
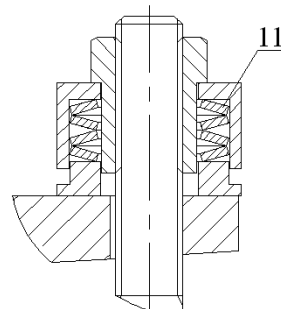


FIG.	Pressure	Material	Range
135.032 + spring load system	PN40	1.0619N	DN150-DN600
155.032 + spring load system	PN40	1.4408	DN150-DN600



spring load system

Design acc. : DIN 3352.
Face to face : EN558-1 Ser.26
Pipe conn. flange : EN1092-1.
Actuator conn. flange: ISO 5210
Test acc. : EN12266.
TA-Luft Packing
TA-Luft Gasket
Temperature range :
-29°C~ +425°C(1.0619N)
-196°C~ +600°C(1.4408)

Material list

NO.	Part	Material	
		FIG. 155.032 + spring load system	FIG. 135.032 + spring load system
1	Body	1.4408 + STL	1.0619N+13Cr
2	Wedge	1.4408	1.0619N+13Cr / 1.4006(≤DN100)
3	Stem	1.4401	1.4021
4	Body seal	TA-Luft Gasket	TA-Luft Gasket
5	Bolts	A4-70	1.7225(GC)
6	Nut	A4-70	1.1181(YK)
7	Bonnet	1.4408	1.0619N
8	Packing	TA-Luft Packing	TA-Luft Packing
10	Bolt	A4-70	1.7225(GC)
11	Belleville spring	51CrV4	51CrV4
13	Gland flange	1.4408	1.0619N
14	Yoke	1.4408	1.0619N
15	Stem nut	0.7040	0.7040
17	Handwheel	0.7040	0.7040
18	Lock nut	1.4021	1.1181
21	ISO-Flange	1.4401	C22.5

Dimension list

PN	DN	L	D1	K	D	f	b	n	φ	H	W	Stem dimension	ISO-flange	Torque (N.m)	Weight(KG)	FTF
40	150	450	218	250	300	3	28	8	26	670	400	Tr28×5LH	F14	100	118	Ser.26
	200	550	285	320	375	3	34	12	30	830	400	Tr32×6LH	F14	170	196	
	250	650	345	385	450	3	38	12	33	955	450	Tr36×6LH	F14	230	339	
	300	750	410	450	515	4	42	16	33	1145	500	Tr44×7LH	F14	350	495	
	350	850	465	510	580	4	46	16	36	1210	500	Tr46×8LH	F16	450	757	
	400	950	535	585	660	4	50	16	39	1390	600	Tr48×8LH	F16	550	1004	
	500	1150	615	670	755	4	52	20	39	1730	700	Tr55×9LH	F25	800	1567	
	600	1350	735	795	890	5	60	20	48	2120	750	Tr65×20(P10)LH	F30	1500	2810	

Note: The torque in the table does not contain safety factor.

Edit: FengChunyan
 Suzhou Fleu valve Co.Ltd
 No.767 Huagang Road

Checking: WangHuanyu
 Tel : 0086 512 63430669
 Fax : 0086 512 63409789

Approved: ZWS
 Date: 06.May.2020
 E-mail : szsales@fleu-valve.com
 http : //www.fleu-valve.com