

Maintenance-free
Design acc. : EN 13709
Face to face : EN558-1 G1
BW end : DIN 3239
Test acc. : EN12266-1
Temperature range :
-29°C~ +425°C(1.0619N)
-196°C~ +600°C(1.4408)
Witzenmann Bellows
circle 10 000
Body : 1.0619N /1.4408

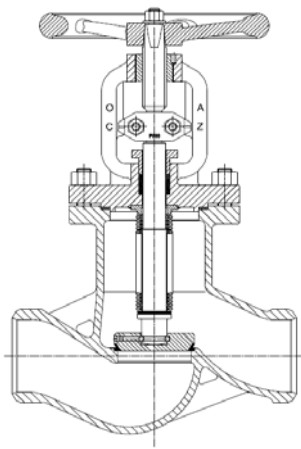


Fig.112-BW

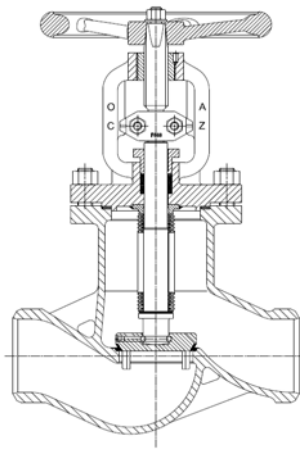
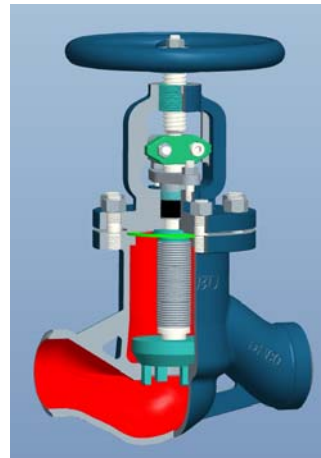


Fig.112-BW-G



Key features

Bellows Seal Globe Valves designed for various applications with inflammable, explosive, volatile, toxic or aggressive characteristics to provide the highest fugitive emission protection.

Full safety sealing system with multiple-walled bellows, gland packing, metal back seat, and position indicator.

Two-part rising stem design separates the upper and lower stem from each other which prevents bellows from torsion.

Typical Applications

Bellows Seal Globe Valves provide the highest fugitive emission protection for use in chemical processing, including Phosgene and Fertilizer applications.

For various media with inflammable, explosive, volatile, toxic or aggressive characteristics, whose emission into the atmosphere must be prevented.

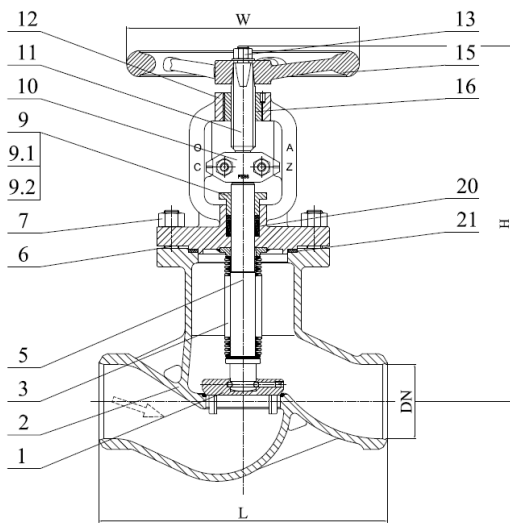


FIG.	Pressur	Material	Range
133.112-BW	PN16	1.0619N	DN15-DN125
135.112-BW	PN40	1.0619N	DN15-DN125
153.112-BW	PN16	1.4408	DN15-DN125
155.112-BW	PN40	1.4408	DN15-DN125

Design acc. : EN 13709
 Face to face : EN558-1 Ser.1
 BW end : DIN 3239
 Test acc. : EN12266-1
 Temperature range :
 -29°C~ +425°C(1.0619N)
 -196°C~ +600°C(1.4408)

Material List

NO.	Part	Material	
		FIG.153.112-BW/155.112-BW	FIG.133.112-BW/135.112-BW
1	Disk	1.4401	1.4021
1.1	Disk seal	STELLIT 6	1.4021/STELLIT 6
2	Body	1.4408/1.4409	1.0619N
2.1	Body seal	STELLIT 21	13Cr/STELLIT 21
3	Bellow	1.4571	1.4571
5	Low stem	1.4401	1.4021
6	Bolts	A4-70	1.7225(GC)
7	Nuts	A4	1.1181(YK)
9	Packing gland	1.4408	1.0619N
9.1	Gland bolt	A4	1.7225(GC)
9.2	Gland nut	A4	1.1181(YK)
10	Connecting block	1.4308	1.4308
11	Up stem	1.4401	1.4021
12	Bonnet	1.4408/1.4409	1.0619N
13	Nut	A2	YK (1.1181)
15	Handwheel	GGG40.3	GGG40.3
16	Stem nut	GGG40.3	GGG40.3
20	Packing	Graphite	Graphite
21	Body seal	Graphite +1.4401	Graphite +1.4301

Dimension List

PN	DN	L	d1max	d2	d3	d4	w	H	Hub	Kv(m³/h)	KG
16/40	15	130	24	23	17	15	120	228	6	2.8	5.4
	20	150	31	28	22	20	120	233	6	5.7	6.1
	25	160	37	34	28	25	140	238	8	9.8	7.8
	32	180	43	42	35	32	140	250	8	16.8	10.0
	40	200	54	50	43	40	160	285	15	29.0	13.0
	50	230	67	62	54	50	160	293	15	47.8	16.5
	65	290	83	78	70	65	220	313	15	81.7	28.0
	80	310	96	91	82	80	250	370	25	128.4	32.0
	100	350	121	116	106	100	250	390	25	204.4	56.3
125	400	147	142	131	125	350	435	30	298.6	75.0	

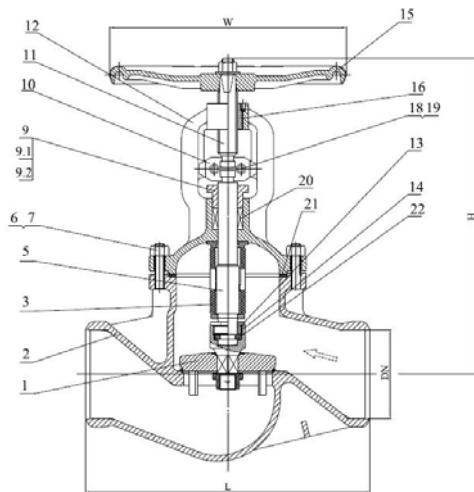
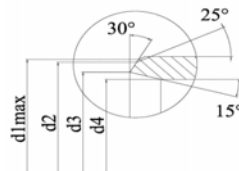


FIG.	Pressure	Material	Range
133.112-BW	PN16	1.0619N	DN150-DN400
135.112-BW	PN40	1.0619N	DN150-DN400
153.112-BW	PN16	1.4408	DN150-DN400
155.112-BW	PN40	1.4408	DN150-DN400



Design acc. : EN 13709
Face to face : EN558-1 Ser.1
BW end : DIN 3239
Test acc. : EN12266-1
Temperature range :
 -29°C~ +425°C(1.0619N)
 -196°C~ +600°C(1.4408)

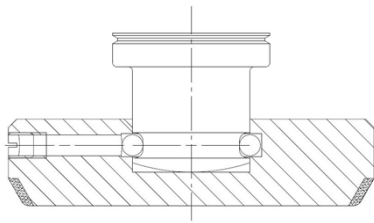
Material List

NO.	Part	Material	
		FIG.153.112-BW/155.112-BW	FIG.133.112-BW/135.112-BW
1	Disk	1.4401	1.0460
1.1	Disk seal	STELLIT 6	13Cr/STELLIT 6
2	Body	1.4408/1.4409	1.0619N
2.1	Body seal	STELLIT 21	13Cr/STELLIT 21
3	Bellow	1.4571	1.4571
5	Low stem	1.4401	1.4021
6	Bolts	A4	1.7225(GC)
7	Nuts	A4	1.1181(YK)
9	Packing gland	1.4408	1.0619N
9.1	Gland bolt	A4	1.7225(GC)
9.2	Gland nut	A4	1.1181(YK)
10	Connecting block	1.4308	1.4308
11	Up stem	1.4401	1.4021
12	Bonnet	1.4408/1.4409	1.0619N
13	Disc screw	1.4401	1.4006
14	Secondary disc	1.4401	1.4021
15	Handwheel	GGG40.3	GGG40.3
16	Stem nut	GGG40.3	GGG40.3
18	Nut	A2	35
19	Bolts	A2	35
20	Packing	Graphite	Graphite
21	Body seal	Graphite +1.4401	Graphite +1.4301
22	Folio ring	1.4401	1.4006

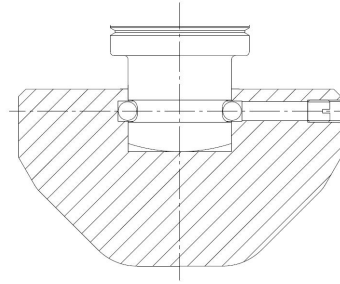
Dimension List

PN	DN	L	d1max	d2	d3	d4	w	H	Hub	Kv(m³/h)	KG
16/40	150	480	176	171	159	150	400	470	40	415.3	70
	200	600	228	222	207	200	460	560	44	739.7	163.5
	250	730	282	276	260	250	600	111	62	1157	195
	300	850	331	325	309	300	800	117	80	1664	350

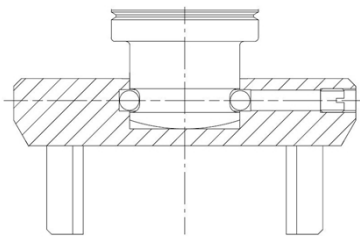
Available



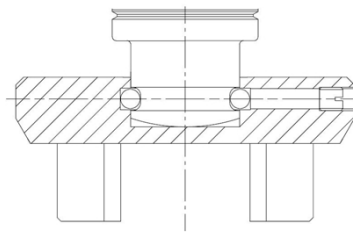
Isolation plug with marginal seat



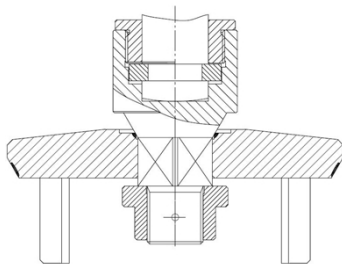
Regulating plug with marginal seat



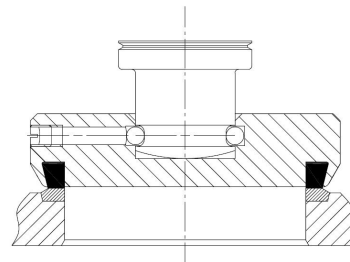
V-port plug with marginal seat



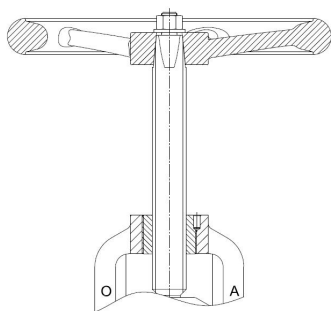
V-port regulating plug with marginal seat



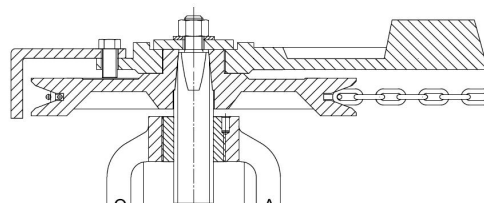
Balancing plug



Plug with soft seat
Max.Operating temperature 200°C at PTFE



Extended stem



Chain wheel