

Design acc.: ASME B16.34
Face to face : ASME B16.10
Flange end : ASME B16.5
Test and inspection : API 598
TA-Luft gasket
Body : WCB/CF8M

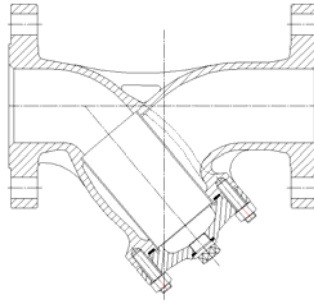


FIG : XXX.320

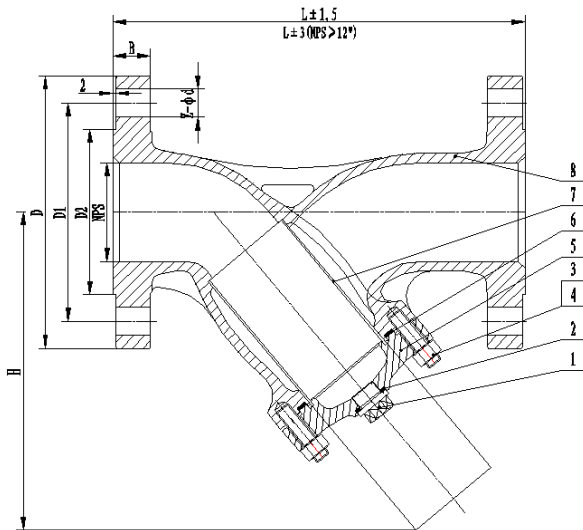


FIG.	Class	Material	Size Range
131.320	150lbs	WCB	1 1/2" -12"
151.320	150lbs	CF8M	1 1/2" -12"

Design acc. : ASME B16.34
Face to face : ASME B16.10.
Flange ends : ASME B16.5
Inspection and test : API 598
TA-Luft Gasket

Material List

NO.	Part	Material	
		FIG. 131.320	FIG. 151.320
1	Tapered plug	SS410	SS316
2	Gasket	Copper alloy	Copper alloy
3	Bolt	ASTM A193 B7	ASTM A193 B8M
4	Nut	ASTM A194 2H	ASTM A194 8M
5	Bonnet	ASTM A216 WCB	ASTM A351 CF8M
6	Gasket	304+Graphite	316+Graphite
7	Screen	ASTM A276 304	ASTM A276 316
8	Body	ASTM A216 WCB	ASTM A351 CF8M

Dimension List

Class	Size/NPS	L	D	D2	D1	B	Z-Φd	H
150lbs	1 1/2"	165	125	73	98.4	14.7	4-Φ16	155
	2"	203	150	92	120.7	16.3	4-Φ19	185
	2 1/2"	216	180	105	139.7	17.9	4-Φ19	205
	3"	241	190	127	152.4	19.5	4-Φ19	235
	4"	292	230	157	190.5	24.3	8-Φ19	310
	5"	356	255	186	215.9	24.3	8-Φ22	380
	6"	406	280	216	241.3	25.9	8-Φ22	430
	8"	495	345	270	298.5	29	8-Φ22	550
	10"	622	405	324	362	30.6	12-Φ25	690
12"	698	485	381	431.8	32.2	12-Φ25	795	

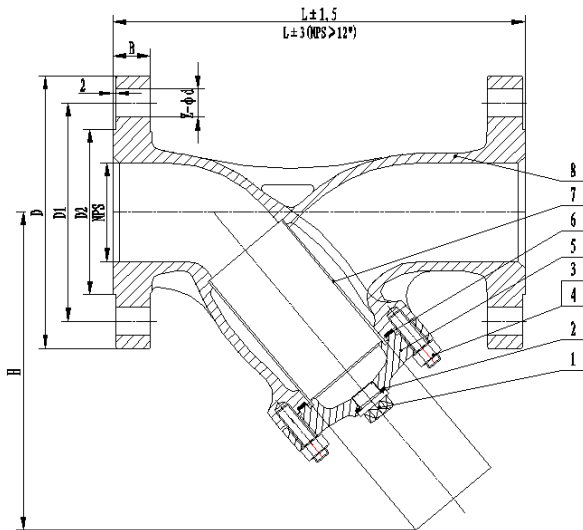


FIG.	Class	Material	Size Range
132.320	300lbs	WCB	1 1/2" -12"
152.320	300lbs	CF8M	1 1/2" -12"

Design acc. : ASME B16.34
Face to face : ASME B16.10.
Flange ends : ASME B16.5
Inspection and test : API 598
TA-Luft Gasket

Material List

NO.	Part	Material	
		FIG. 132.320	FIG. 152.320
1	Tapered plug	SS410	SS316
2	Gasket	Copper alloy	Copper alloy
3	Bolt	ASTM A193 B7	ASTM A193 B8M
4	Nut	ASTM A194 2H	ASTM A194 8M
5	Bonnet	ASTM A216 WCB	ASTM A351 CF8M
6	Gasket	304+Graphite	316+Graphite
7	Screen	ASTM A276 304	ASTM A276 316
8	Body	ASTM A216 WCB	ASTM A351 CF8M

Dimension List

Class	Size/NPS	L	D	D2	D1	B	Z-Φd	H
300lbs	1 1/2"	165	155	73	114.3	21.1	4-Φ22	155
	2"	267	165	92	127	22.7	8-Φ19	205
	2 1/2"	292	190	105	149.2	25.9	8-Φ22	225
	3"	318	210	127	168.3	29	8-Φ22	245
	4"	356	255	157	200	32.2	8-Φ22	310
	5"	400	280	186	235	35.4	8-Φ22	390
	6"	444	320	216	270	37	12-Φ22	430
	8"	559	380	270	330.2	41.7	12-Φ25	550
	10"	622	445	324	387	48.1	16-Φ29	710
12"	711	520	381	451	51.3	16-Φ32	830	