



Soft seal
Ball valve
Trunnion ball valve

Flange
Class 150/300 lbs
NPS 6 " -12 "

Range of application:

In industrial facilities, oil and chemical industry and related manufacturing industries

Temperature range:

Max. working temperature :
 -29°C to +200°C (carbon steel)
 -196°C to +200°C (stainless steel)

Perform standard:

Design: split body with full bore round port , floating ball.
 API 6D ASME B16.34
 Face to face acc.: ASME B16.10
 Flange : ASME B16.5.
 Design of minimum wall thickness calculation : EN12516-1
 Operating: with a two flat stem acc to the NAMUR
 -recommends.
 90° -rotary switch
 Actuator mounting: mounting flange acc. to ISO5211
 for gear box , air- , electric-or hydraulic pattern actuator .
 Fire test : API 607 & BS 6755 .
 Antistatic device : BS5351

Paint:

Synthetic resin paint : RAL 5002 .
 Stainless steel need not to be painted

Material [cording ASTM]

Body: CF8M/CF8/CF3M/CF3/WCB
 Ball: F316/F304
 Body Seal: PTFE / Graphite
 Seat: TFM1600 / RPTFE/
 PTFE with glassfibre / VX1

Order information:

Cylinder bore diameter
 Rated Pressure
 The working conditions
 Fluid
 Flange connection : ASME

Edit: FengChunyan
 Suzhou Fleu valve Co.Ltd
 No.767 Huagang Road

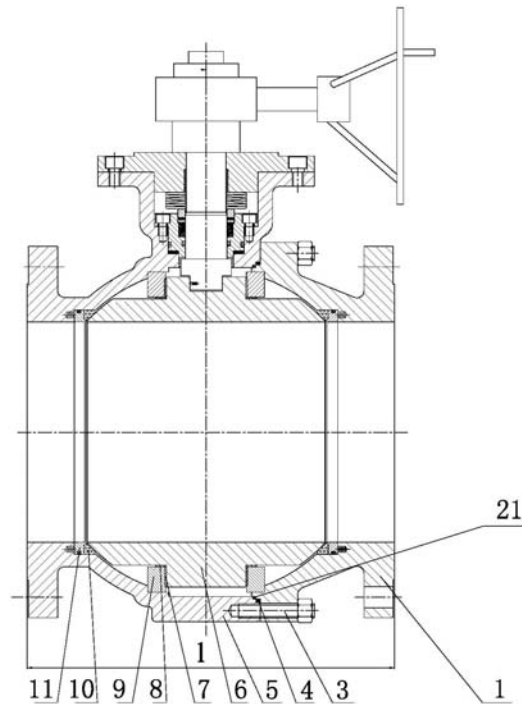
Checking: WangHuanyu
 Tel : 0086 512 63430669
 Fax : 0086 512 63409789

Approved: ZWS

Date: 12.Apr.2019

E-mail : szsales@fleu-valve.com
 http : //www.fleu-valve.com

FIG.	Class	Material	RANGE
131.762	150LB	WCB	6" - 12"
132.762	300LB	WCB	6" - 12"
151.762	150LB	CF8M	6" - 12"
152.762	300LB	CF8M	6" - 12"

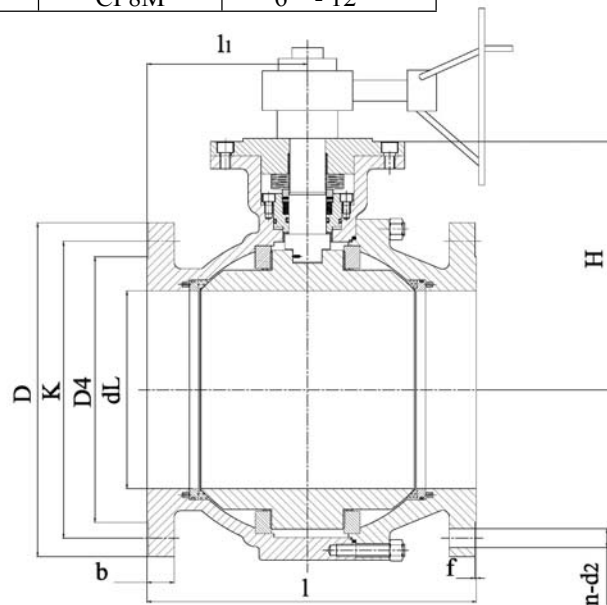


Ball valve with full bore and Flange .

Material list

NO.	Part	Material	
		FIG. 151.762 / 152.762	FIG. 131.762 / 132.762
1	Adapter	CF8M / CF8 / CF3M / CF3	WCB
3	Bolts	B8M	B7
4	Body Seal	Graphite	Graphite
5	Body	CF8M / CF8 / CF3M / CF3	WCB
6	Ball	F316	F304
7	Trust bearing	316+PTFE+MoS2	304+PTFE+MoS2
8	Gasket	PTFE	PTFE
9	Bracket	316	304
10	Seat	TFM1600 / RPTFE / PTFE with glassfibre / VX1	TFM1600 / RPTFE / PTFE with glassfibre / VX1
11	Support plate	316	304
21	Body seal	PTFE	PTFE

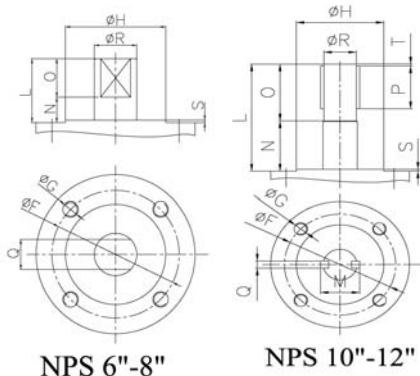
FIG.	Class	Material	RANGE
131.762	150LB	WCB	6" - 12"
132.762	300LB	WCB	6" - 12"
151.762	150LB	CF8M	6" - 12"
152.762	300LB	CF8M	6" - 12"



Ball valve with full bore and Flange . Flange end: API 6D ASME B16.34 ; Face to face: ASME B16.10 .

Dimension List

Class	Size	dL	L	L1	H	D	b	K	n-d2	D4×f	Weight
150 lbs	6"	150	394	175	256	279	25.4	241.3	8-Φ22	Φ216×1.6	
	8"	200	457	200	315	343	28.5	298.5	8-Φ22	Φ270×1.6	
	10"	250	533	225	316	406	31	362	12-Φ25	Φ324×1.6	
	12"	300	610	240	383	483	32	432	12-Φ25	Φ381×1.6	
300 lbs	6"	150	403	175	256	318	36.6	269.7	12-Φ22	Φ216×1.6	
	8"	200	502	200	315	381	41.2	330.2	12-Φ25	Φ270×1.6	
	10"	250	568	225	316	445	48	387.5	12-Φ29	Φ324×1.6	
	12"	300	648	240	383	521	51	451	16-Φ32	Φ381×1.6	



Dimension List

NPS	ΦF	ΦG	ΦH	L	O	N	Q	ΦR	S	M	P	T
6"	140	M16	100	61	39.8	21.2	20	36	3			
8"	125	M12	85	61	39.8	21.2	27	50	3			
10"	165	M20	130	172	90	82	12	50	3	58	70	3
12"	254	M16	200	172	90	82	14	55	5	69	70	3

Edit: FengChunyan
 Suzhou Fleu valve Co.Ltd
 No.767 Huagang Road

Checking: WangHuanyu
 Tel : 0086 512 63430669
 Fax : 0086 512 63409789

Approved: ZWS
 Date: 12.Apr.2019
 E-mail : szsales@fleu-valve.com
 http : //www.fleu-valve.com

Connecting format

Flanged		
Pressure rating	Flange dimension	Sealing form
150Lb 300Lb	ASME B16.5	ANSI Ra max : 12.5 μm Rz max : 50 μm

Installation instructions

Installation site is not prescribed.
Regardless of the flow direction.

Details please consult.

Technical parameters

Flow characteristics - Kv (m³/h)

Size	6"	8"	10"	12"
Kv	3500	6500	10200	14700

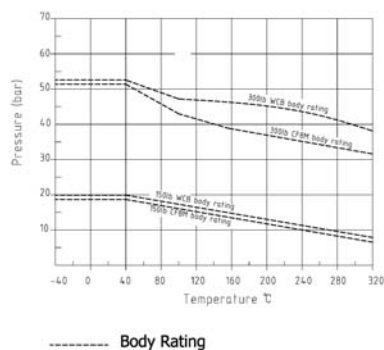
Open torque - Nm

Class (bar)	Size			
	6"	8"	10"	12"
0	126	180	321	500
150	297	450	852	1282
300	553	1010	1648	2455

Maximum and minimum

Size	6"	8"	10"	12"
M _d max	3500	4800	—	—
M _d min	63	90	160	250

Allowable pressure in dependence of the temperature



Details please consult.

Edit: FengChunyan
Suzhou Fleu valve Co.Ltd
No.767 Huagang Road

Checking: WangHuanyu
Tel : 0086 512 63430669
Fax : 0086 512 63409789

Approved: ZWS

Date: 12.Apr.2019
E-mail : szsales@fleu-valve.com
http : //www.fleu-valve.com