

Soft seal
Ball valve
Float ball valve

Flange
Class:150 /300 lbs
NPS :1/2" - 8"

Range of application:

In industrial facilities, oil and chemical industry and related manufacturing industries

Temperature range:

Max. working temperature :
 -29°C to +200°C (carbon steel)
 -196°C to +200°C (stainless steel)

Perform standard:

Design:split body with full bore round port , floating ball.
 API 6D ASME B16.34
 Face to face acc.: ASME B16.10
 Flange : ASME B16.5.
 Design of minimum wall thickness calculation : EN12516-1
 Operating:with a two flat stem acc to the NAMUR
 -recommends.
 90° -rotary switch
 Actuator mounting: mounting flange acc. to ISO5211
 for gear box , air- , electric-or hydraulic pattern actuator .
 Fire test : API 607 & BS 6755 .
 Antistatic device :BS5351
 Pressure test:API 6D or API598

Paint:

Synthetic resin paint : RAL 5002 .
 Stainless steel need not to be painted

Material [cording ASTM]

Body: CF8M/CF8/CF3M/CF3/WCB
 Ball: F316/F304
 Body Seal: PTFE / Graphite
 Seat: TFM1600 / RPTFE/
 PTFE with glassfibre / VX1

Order information:

Cylinder bore diameter
 Rated Pressure
 The working conditions
 Fluid
 Flange connection : ASME

Edit: FengChunyan
 Suzhou Fleu valve Co.Ltd
 No.767 Huagang Road

Checking: WangHuanyu
 Tel : 0086 512 63430669
 Fax : 0086 512 63409789

Approved: ZWS

Date: 12.Apr.2019

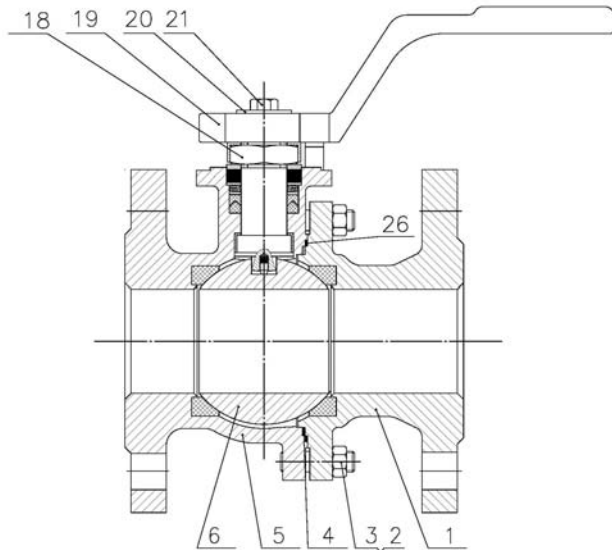
E-mail : szsales@fleu-valve.com
 http : //www.fleu-valve.com

BALL VALVE

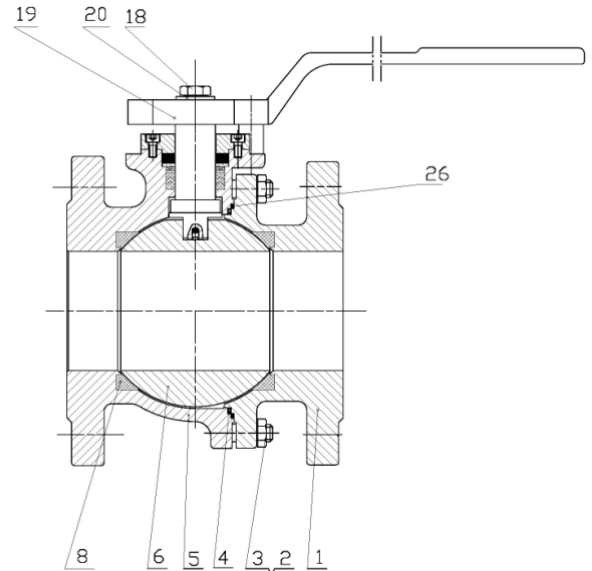
NP - LEVE 761

FIG.	CLASS	Material	RANGE
131.761	150LB	WCB	1/2"- 1 1/4"
132.761	300LB	WCB	1/2"- 1 1/4"
151.761	150LB	CF8M	1/2"- 1 1/4"
152.761	300LB	CF8M	1/2"- 1 1/4"

FIG.	CLASS	Material	RANGE
131.761	150LB	WCB	1 1/2"- 8"
132.761	300LB	WCB	1 1/2"- 8"
151.761	150LB	CF8M	1 1/2"- 8"
152.761	300LB	CF8M	1 1/2"- 8"



Size : 1/2" - 1 1/4"



Size : 1 1/2" - 8"

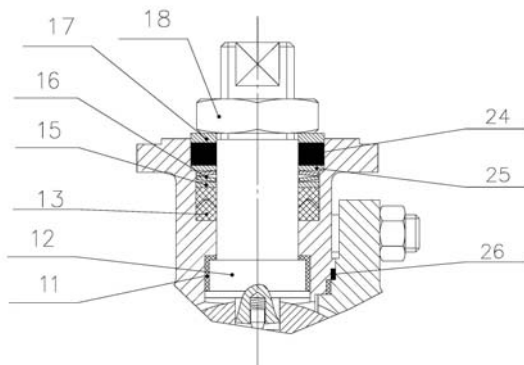
Ball valve with full bore and Flange .

Material list

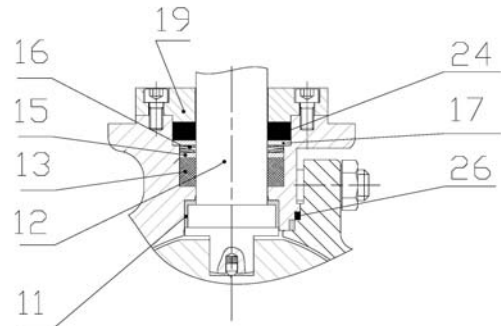
NO.	Part	Material	
		FIG. 151.761 / 152.761	FIG. 131.761 / 132.761
1	Adapter	CF8M / CF8 / CF3M / CF3	WCB
2	Bolts	B8M	B7
3	Nuts	8M	2H
4	Body seal	PTFE	PTFE
5	Body	CF8M / CF8 / CF3M / CF3 / WCB	WCB
6	Ball	CF8M/F316/CF3M	F304
8	Seat	TFM1600 / RPTFE/PTFE with glassfibre / VX1	TFM1600 / RPTFE/PTFE with glassfibre / VX1
18	Nut	8M	2H
19	Lever	CF8	Gr60-40-18
20	Gasket	304	304
21	Bolt	B8M	B7
26	Body seal	Graphite	Graphite

Stopfbuchs-Varianten

**VSG PTFE + SPRING + GRAPHITE
(TA AIR + FIRE SAFE)**



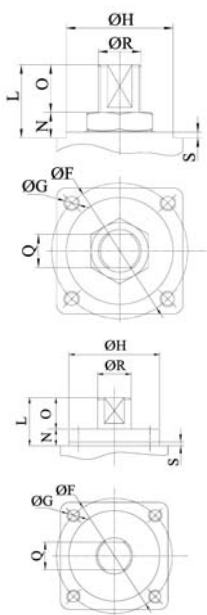
Size : 1/2" - 1 1/4"



Size : 1 1/2" - 8"

Material list

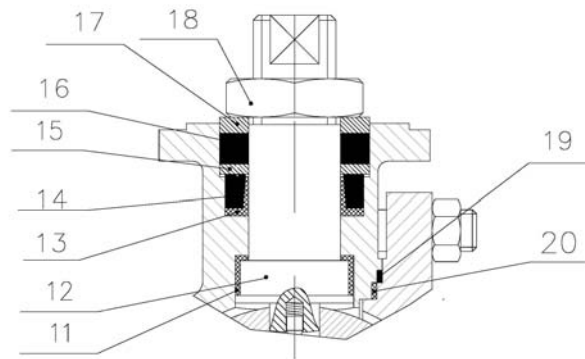
NO.	Part	Material	
		FIG. 151.761 / 152.761	FIG. 131.761 / 132.761
11	Thrust bearing	PTFE	PTFE
12	Stem	17-4PH / F316	17-4PH / F316
13	Packing	PTFE	PTFE
15	Gasket	316	316
16	Spring washer	17-7PH	17-7PH
17	Gasket	316	304
18	Nut	8M	2H
19	Gasket	316	304
24	Packing	Graphite	Graphite
25	Gasket	316	316
26	Body seal	Graphite	Graphite



Dimension List

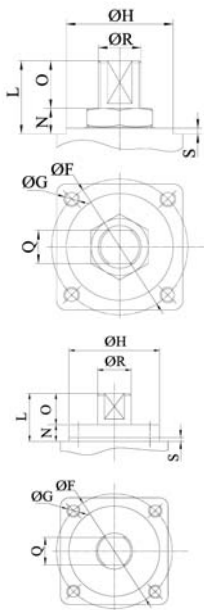
Size	1/2	3/4	1	1 1/4	1 1/2	2	2 1/2	3	4	6	8
ΦF	50	50	50	50	70	70	70	102	102	125	125
ΦG	M6	M6	M6	M6	M8	M8	M8	M10	M10	M12	M12
ΦH	35	35	35	35	55	55	55	70	70	85	85
L	19.5	25.6	34.5	34.5	38	38	44	50	50	61	61
O	10.7	12.8	20.7	20.7	23.8	23.8	30.3	32.8	32.8	39.8	39.8
N	8.8	12.8	13.8	13.8	14.2	14.2	13.7	17.2	17.2	21.2	21.2
Q	11	11	14	14	17	17	17	19	19	27	27
ΦR	14	14	18	18	22	22	22	26	30	40	50
S	2	2	2	2	3	3	3	3	3	3	3
ISO5211	F05	F05	F05	F05	F07	F07	F07	F10	F10	F12	F14

**WRG WEDGE RING + GRAPHITE
(TA AIR + FIRE SAFE)**



Material list

NO.	Part	Material	
		FIG. 151.761 / 152.761	FIG. 131.761 / 132.761
11	Thrust bearing	PTFE	PTFE
12	Stem	17-4PH / F316	17-4PH / F316
13	Packing	PTFE	PTFE
14	Packing	Graphite	Graphite
15	Gasket	316	316
16	Packing	Graphite	Graphite
17	Gasket	316	304
18	Nut	8M	2H
19	Body seal	Graphite	Graphite
20	Body seal	PTFE	PTFE



SIZE 1 1/2-8

SIZE 1/2-1 1/4

Dimension List

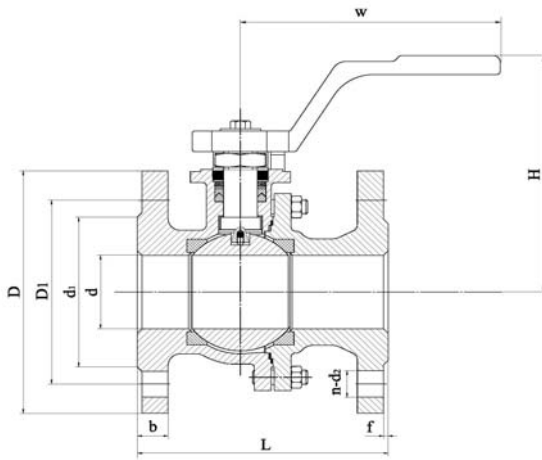
Size	1/2	3/4	1	1 1/4	1 1/2	2	2 1/2	3	4	6	8
ΦF	50	50	50	50	70	70	70	102	102	125	125
ΦG	M6	M6	M6	M6	M8	M8	M8	M10	M10	M12	M12
ΦH	35	35	35	35	55	55	55	70	70	85	85
L	19.5	25.6	34.5	34.5	38	38	44	50	50	61	61
O	10.7	12.8	20.7	20.7	23.8	23.8	30.3	32.8	32.8	39.8	39.8
N	8.8	12.8	13.8	13.8	14.2	14.2	13.7	17.2	17.2	21.2	21.2
Q	11	11	14	14	17	17	17	19	19	27	27
ΦR	14	14	18	18	22	22	22	26	30	40	50
S	2	2	2	2	3	3	3	3	3	3	3
ISO5211	F05	F05	F05	F05	F07	F07	F07	F10	F10	F12	F14

BALL VALVE

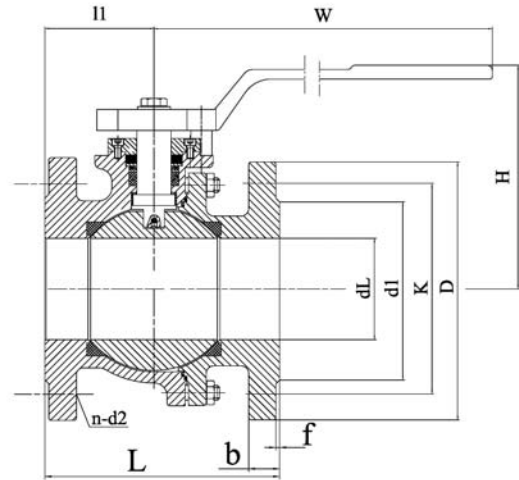
NP - LEVE 761

FIG.	CLASS	Material	RANGE
131.761	150LB	WCB	1/2"- 1 1/4"
132.761	300LB	WCB	1/2"- 1 1/4"
151.761	150LB	CF8M	1/2"- 1 1/4"
152.761	300LB	CF8M	1/2"- 1 1/4"

FIG.	CLASS	Material	RANGE
131.761	150LB	WCB	1 1/2"- 8"
132.761	300LB	WCB	1 1/2"- 8"
151.761	150LB	CF8M	1 1/2"- 8"
152.761	300LB	CF8M	1 1/2"- 8"



Size : 1/2" - 1 1/4"



Size : 1 1/2" - 8"

Ball valve with full bore and Flange . Flange end: API 6D ASME B16.34 ; Face to face: ASME B16.10 .

Dimension List

Class	Size	d	L	H	W	D	b	f	d1	D1	n-d2	Weight
150Lb	1/2	15	108	117	200	89	11.2	1.6	35	60.5	4-16	2.3
	3/4	20	117	124	200	99	12.8	1.6	43	70	4-16	3.0
	1	25	127	129	220	108	14.3	1.6	51	79.2	4-16	4.0
	1 1/4	32	140	145	220	117	15.8	1.6	64	89	4-16	5.5
	1 1/2	40	165	155	270	127	17.3	1.6	73	98.6	4-16	7.0
	2	50	178	161	270	152	19.1	1.6	92	120.7	4-19	9.5
	2 1/2	65	190	173	360	178	22.2	1.6	105	139.7	4-19	15
	3	77	203	205	360	191	24	1.6	127	152.4	4-19	24
	4	100	229	227	360	229	24	1.6	157	190.5	8-19	33
	5	125	356	235	500	254	24	1.6	186	215.9	8-22	58
300Lb	1/2	15	140	117	200	95	14.3	1.6	35	66.5	4-16	2.5
	3/4	20	152	124	200	117	15.8	1.6	43	82.5	4-19	3.5
	1	25	165	129	220	124	17.3	1.6	51	89	4-19	5.5
	1 1/4	32	178	145	220	133	19.1	1.6	64	98.5	4-19	7.6
	1 1/2	40	190	155	270	155	20.7	1.6	73	114.3	4-22	10.5
	2	50	216	161	270	165	22.2	1.6	92	127	8-19	14.5
	2 1/2	65	241	173	360	191	25.5	1.6	105	149.4	8-22	23.5
	3	77	282	205	360	210	28.5	1.6	127	168.1	8-22	29.5
	4	100	305	227	360	254	31.8	1.6	157	200.2	8-22	55
	5	125	381	235	500	279	34.9	1.6	186	235	8-22	81
300Lb	6	150	403	251	650	318	36.7	1.6	216	269.7	12-22	118
	8	200	502	346	750	381	41.2	1.6	270	330.2	12-22	200

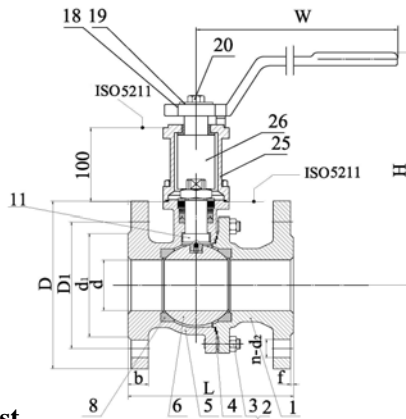
Edit: FengChunyan
Suzhou Fleu valve Co.Ltd
No.767 Huagang Road

Checking: WangHuanyu
Tel : 0086 512 63430669
Fax : 0086 512 63409789

Approved: ZWS

Date: 12.Apr.2019

E-mail : szsales@fleu-valve.com
http : //www.fleu-valve.com



Long stem ball valve with full bore and Flange .
 Design: API 6D ASME B16.34 ;
 Face to face: ASME B16.10 .
 Flange:ASME B16.5

Material list

NO.	Part	Material	
		FIG. 151.761 / 152.761	FIG. 131.761 / 132.761
1	Adapter	CF8M / CF8 / CF3M / CF3	WCB
2	Bolts	B8M	B7
3	Nuts	8M	2H
4	Body seal	PTFE	PTFE
5	Body	CF8M / CF8 / CF3M / CF3	WCB
6	Ball	CF8M/316/CF3M	CF8M/316/CF3M
8	Seat	TFM1600 / RPTFE/PTFE with glassfibre / VX1	TFM1600 / RPTFE/PTFE with glassfibre / VX1
11	Stem	17-4PH / F316	17-4PH / F316
18	Lever	CF8	Gr.60-40-18
19	Gasket	304	304
20	Bolts	B8 M	B7
25	Case	CF8M / CF8 / CF3M / CF3	WCB
26	Long stem	17-4PH / F316	17-4PH / F316

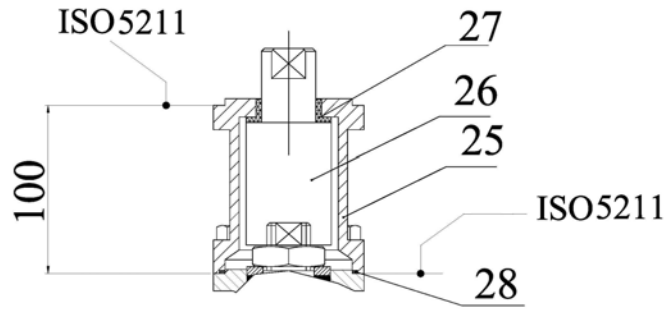
Dimension List

Class	Size	d	L	H	W	D	b	f	d1	D1	n-d2	Weight
150Lb	1/2	15	108	217	200	89	11.2	1.6	35	60.5	4-16	
	3/4	20	117	224	200	99	12.8	1.6	43	70	4-16	
	1	25	127	229	220	108	14.3	1.6	51	79.2	4-16	
	1 1/4	32	140	245	220	117	15.8	1.6	64	89	4-16	
	1 1/2	40	165	255	270	127	17.3	1.6	73	98.6	4-16	
	2	50	178	261	270	152	19.1	1.6	92	120.7	4-19	
	2 1/2	65	190	273	360	178	22.2	1.6	105	139.7	4-19	
	3	77	203	305	360	191	24	1.6	127	152.4	4-19	
	4	100	229	327	360	229	24	1.6	157	190.5	8-19	
	5	125	356	335	500	254	24	1.6	186	215.9	8-22	
300Lb	1/2	15	140	217	200	95	14.3	1.6	35	66.5	4-16	
	3/4	20	152	224	200	117	15.8	1.6	43	82.5	4-19	
	1	25	165	229	220	124	17.3	1.6	51	89	4-19	
	1 1/4	32	178	245	220	133	19.1	1.6	64	98.5	4-19	
	1 1/2	40	190	255	270	155	20.7	1.6	73	114.3	4-22	
	2	50	216	261	270	165	22.2	1.6	92	127	8-19	
	2 1/2	65	241	273	360	191	25.5	1.6	105	149.4	8-22	
	3	77	282	305	360	210	28.5	1.6	127	168.1	8-22	
	4	100	305	327	360	254	31.8	1.6	157	200.2	8-22	
	5	125	381	335	500	279	34.9	1.6	186	235	8-22	
6	150	403	351	650	318	36.7	1.6	216	269.7	12-22		
8	200	502	446	750	381	41.2	1.6	270	330.2	12-22		

Edit: FengChunyan
 Suzhou Fleu valve Co.Ltd
 No.767 Huagang Road

Checking: WangHuanyu
 Tel : 0086 512 63430669
 Fax : 0086 512 63409789

Approved: ZWS
 Date: 12.Apr.2019
 E-mail : szsales@fleu-valve.com
 http : //www.fleu-valve.com



Long stem V - seal (PTFE) + Graphite

Material list

NO.	Part	Material	
		FIG. 151.761 / 152.761	FIG. 131.761 / 132.761
25	Case	CF8M / CF8 / CF3M / CF3	WCB
26	Long stem	17-4PH / F316	17-4PH / F316
27	Thrust bearing	PTFE+25%glass	PTFE+25%glass
28	Gasket	PTFE	PTFE

Dimension List

NPS	Class	H	ISO5211
1/2"	150/300	100	F05
3/4"	150/300	100	F05
1"	150/300	100	F05
1 1/4"	150/300	100	F05
1 1/2"	150/300	100	F07
2"	150/300	100	F07
2 1/2"	150/300	100	F07
3"	150/300	100	F10
4"	150/300	100	F10
5"	150/300	100	F12
6"	150/300	100	F12
8"	150	100	F14
	300	100	F16

Edit: FengChunyan
 Suzhou Fleu valve Co.Ltd
 No.767 Huagang Road

Checking: WangHuanyu
 Tel : 0086 512 63430669
 Fax : 0086 512 63409789

Approved: ZWS

Date: 12.Apr.2019
 E-mail : szsales@fleu-valve.com
 http : //www.fleu-valve.com

Connecting format

Flanged		
Pressure rating	Flange dimension	Sealing form
150Lb 300Lb	ASME B16.5	ANSI Ra max : 12.5 μm Rz max : 50 μm

Installation instructions

Installation site is not prescribed.
Regardless of the flow direction.

Details please consult.

Technical parameters

Flow characteristics - Kv (m³/h)

Size	1/2	3/4	1	1 1/4	1 1/2	2	2 1/2	3	4	6
Kv	12	23	60	72	175	360	620	930	1900	3500

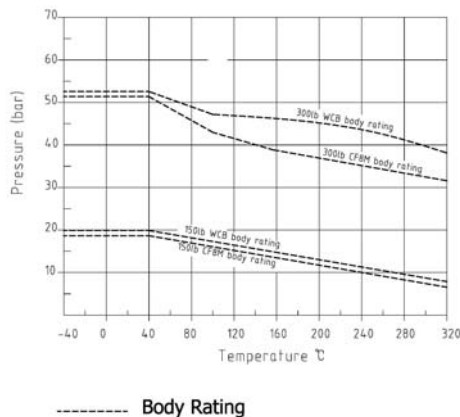
Open torque - Nm

Class	Size										
	1/2"	3/4"	1"	1 1/4"	1 1/2"	2"	2 1/2"	3"	4"	6"	8"
ΔP (lbs)											
0	3	3.5	6	10	15	20	40	60	85	150	300
150	4.5	5	12	25	35	45	80	120	220	500	1000
300	7	10	25	50	60	80	150	260	400	1000	1850

Maximum and minimum

Size	1/2"	3/4"	1"	1 1/4"	1 1/2"	2"	2 1/2"	3"	4"	6"	8"
T_{max}	80	80	120	120	280	280	280	700	700	2000	3500
T_{min}	2	2	3	5	8	10	20	30	42	75	150

Allowable pressure in dependence of the temperature



Details please consult.

Edit: FengChunyan
Suzhou Fleu valve Co.Ltd
No.767 Huagang Road

Checking: WangHuanyu
Tel : 0086 512 63430669
Fax : 0086 512 63409789

Approved: ZWS

Date: 12.Apr.2019

E-mail : szsales@fleu-valve.com
http : //www.fleu-valve.com